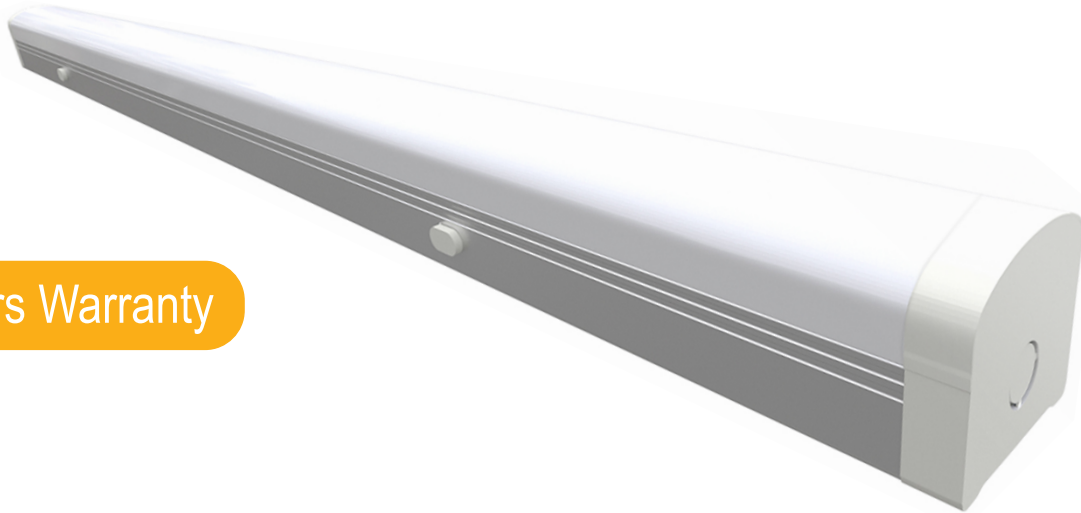
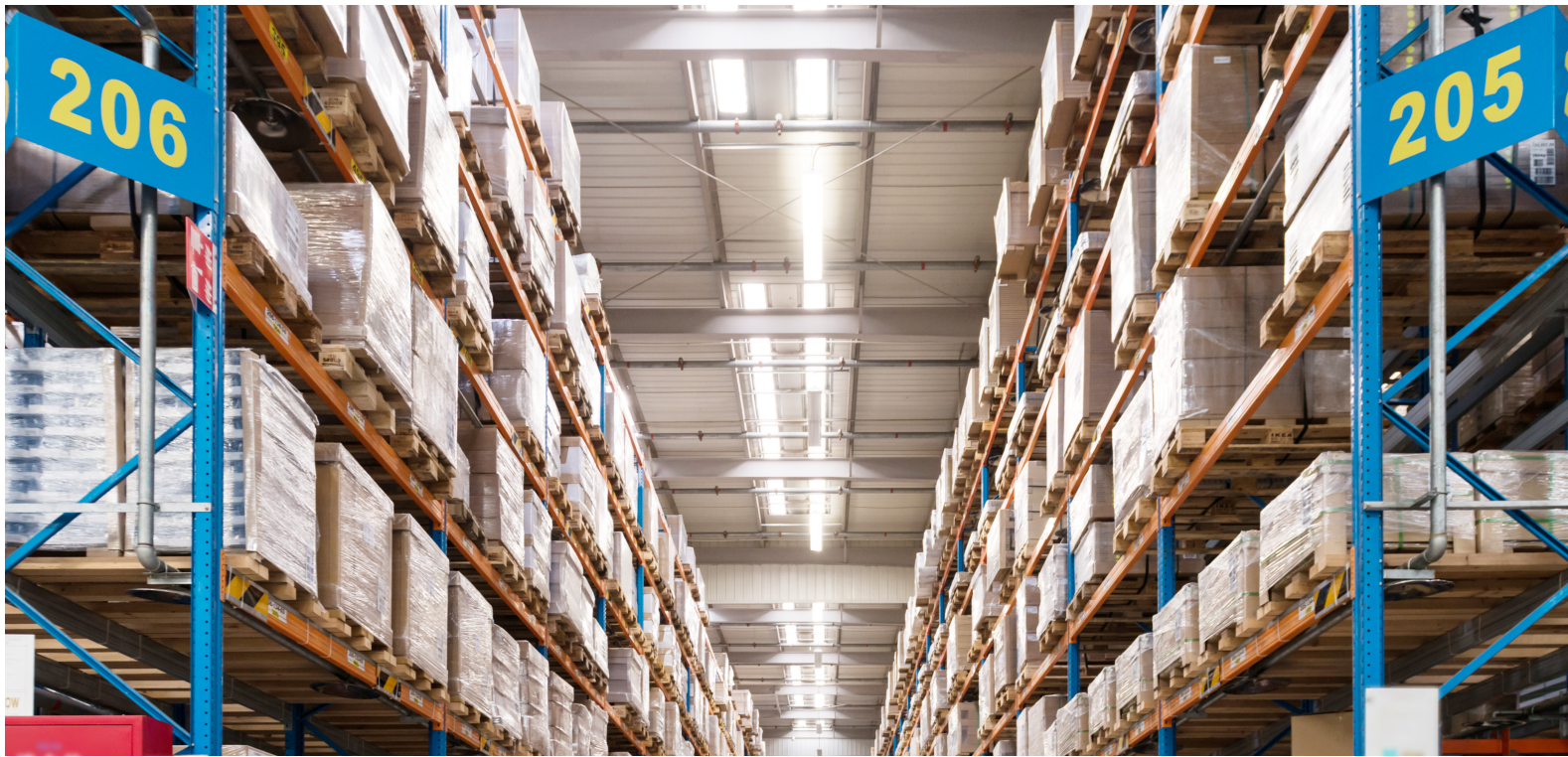


## LED Batten Light

Warehouses, factories & food storage, Supermarket, shopping malls, Office, Home, Hotel, Parking lot, garage etc

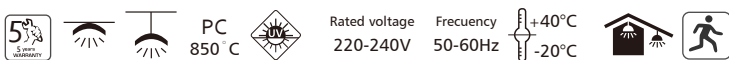


5 years Warranty

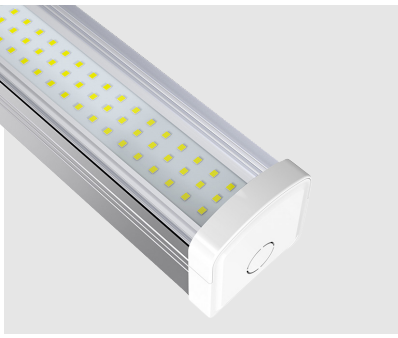


## SUITABLE FOR MULTIPLE SPACE USES

USE Suitable for multiple space use LED integrated ceiling flat lamp to meet your lighting needs in different spaces



## Details Display

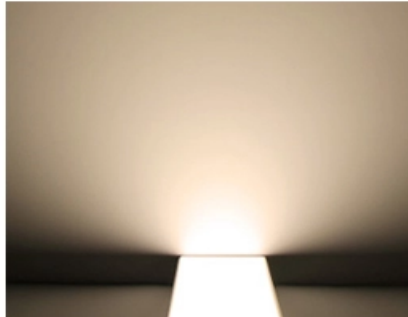


## THREE COLOR TEMPERATURE OPTIONS

- Warm light (color temperature 3000k)
- Neutral light (color temperature 4000k)
- White light (color temperature 5000k)
- White light (color temperature 6000k)



▲  
3000K



▲  
4000K

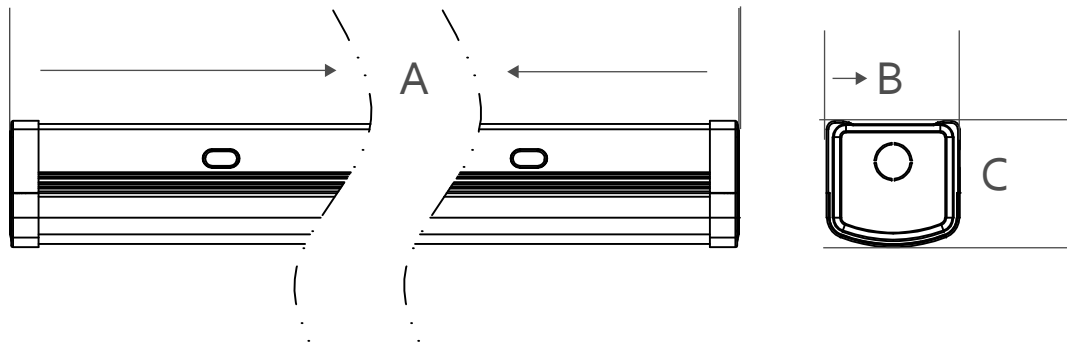


▲  
5000K



▲  
6000K

## Dimensions

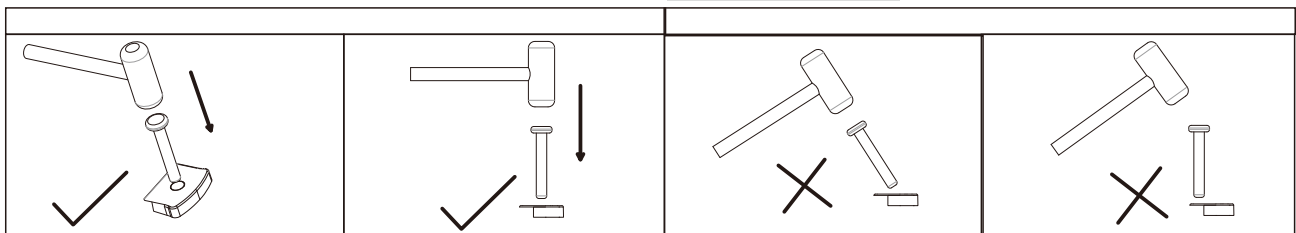


Model NO.	Size A(mm)	Size B(mm)	Size C(mm)
LH-LICS2-030-xxxx	600	70.5	69.8
LH-LICS4-050-xxxx	1200	70.5	69.8
LH-LICS5-060-xxxx	1500	70.5	69.8

### CAUTION

Knock holes on out caps by 90° vertical as follow

Wrong Demonstration

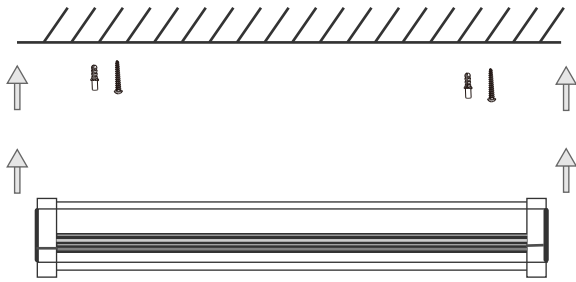


### Caution : Please note that DO NOT use this product in the following places application

- 1.The place has a large quantity of lampblack and smoke,such as:kitchen and Food processing factory etc.
- 2.The place has a large quantity of chemical corrosive substance,such as:chemical plant and stockyard etc.
- 3.The place has poor temperature conditions,large-scale temperature variation,which would easily lead to broken and damage the product,the applicable operating temperature is between -15 and 45 degrees.

## Installation

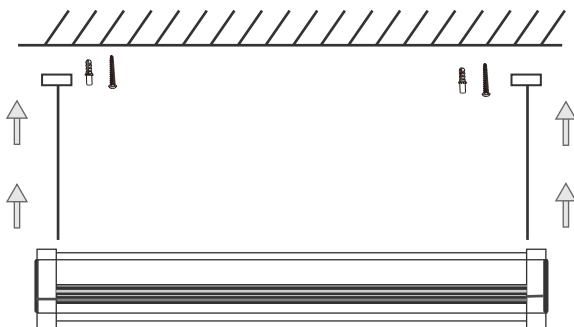
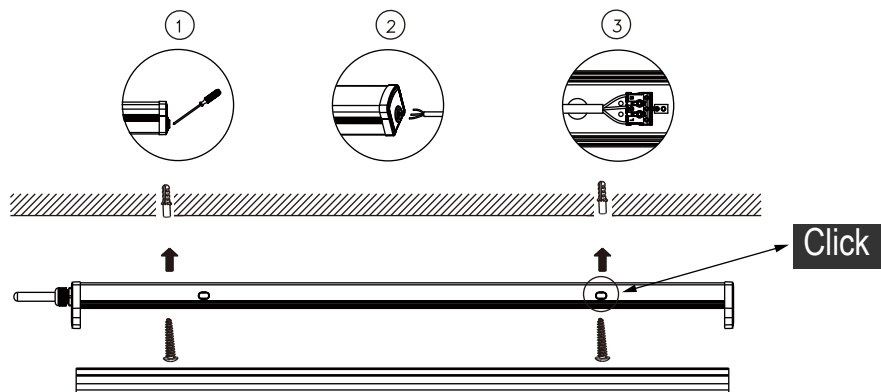
### Suspending and Ceiling Mounted Installation



#### Ceiling Mounted

- A : Make a right position and screw hole
- C : Install the lamp into the clips.
- D : Adjust the position of the fixture and clean it..
- B : Screw the clip on the ceiling tightly

#### Wiring steps



#### Suspending

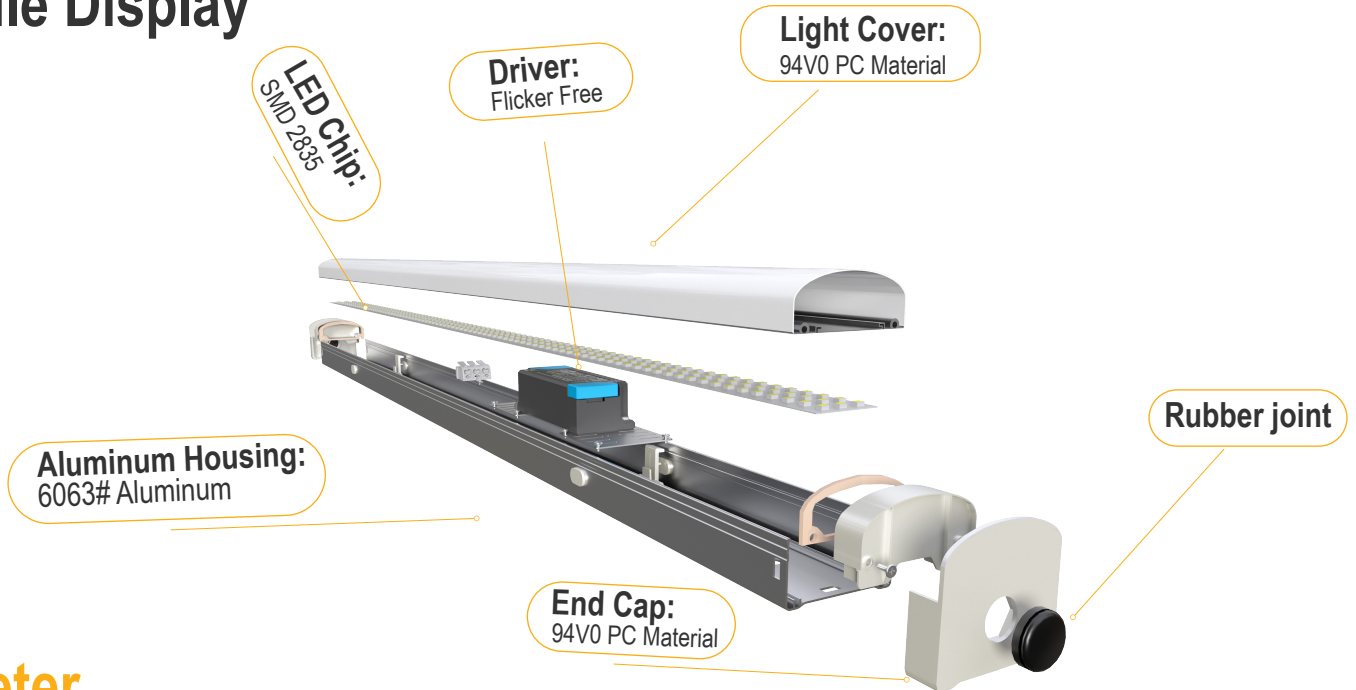
- A : Make a right position and screw hole
- B : Screw the steel cable onto the ceiling
- C : Hung the fixture under the steel cable and secure the fixture by steel cable
- D : Adjust the position of the fixture and clean it..

■ Please Note:All the operations must be in the condition of power off



The luminaires are intended for indoor use or under shelter for outdoor use.

## Detail Display



## Parameter

Model NO	LH-LICS2-020-xxxx LH-LICS2-030-xxxx LH-LICS4-040-xxxx LH-LICS4-050-xxxx LH-LICS5-060-xxxx
Product Length	600mm/1200mm/1500mm
Shape	Elongated
Material	6063 # Aluminum & PC
EU Input Voltage	AC 220-240V
Power Source	Wire powered
Light Source	SMD 2835
Power	20W/30W/40W/50W/60W
EU Luminous Efficacy	100-120lm/w
Color Temperature	3000K/4000K/5000K/6000K
Operating Temperature	-20 °C -+50 °C
Dimmable	NO/0/1~10V/DALI
CRI	≥ 80Ra
IP Grade	IP20
Lifespan (hours)	50000
Multi options	Motion Sensor / Emergency
Warranty	5 years Warranty



## L/N Rules

**LH- XX- X X X -X X X - X X X X**  
 1 2 3 4 5 6 7 8 9 10

**EX: LH -LI - C S 2 - 020 - W D W D**  
 1 2 3 4 5 6 7 8 9 10

1. LH - LiteHome
2. Light types (GL-Grow Light, LI-Linear Light, TL-Track Linear Light, TM- Track Magnetic Light)
3. Light Serial No. (A: Serial A, B: Serial B, C: Serial C)
4. Cover (L-Lens, T-Transparent, P-Plane frosted, G-glass, R-Radian frosted, B-Bicolor, S-Stripe, O-Double side radian frosted, D-Double side plane frosted)
5. Length (2:2ft, 3:3ft, 4:4ft, 5:5ft, 6:6ft, 8:8ft)
6. Power Consumption (200: 200W, 240: 240W)
7. Color (S-Silver, B-Black, W-White)
8. Function (C: 0/1-10V Dimmable, D: DALI Dimmable)
9. Color Temperature (W: 2700-4500K, P: 5000-5500K, C: 6000-7500K)
10. Beam Angle (D: 30°, G: 60°, H: 90°, P: Polarized 20°, J: 120°, K: 180°)

## Packing data

Item Code	N/W (Kg)	G/W (Kg)	Dimension (mm) 6Pcs / Ctn	20'GP	40'GP	40'HQ
LH-LICS2-020-xxxx	4.32	5.19	640 X 250 X 165	1250	2556	2883
LH-LICS2-030-xxxx	4.50	5.20	640 X 250 X 165	1250	2556	2883
LH-LICS4-040-xxxx	7.68	9.43	1240 X 250 X 165	647	1320	1488
LH-LICS4-050-xxxx	8.04	9.79	1240 X 250 X 165	647	1320	1488
LH-LICS5-050-xxxx	9.60	11.80	1540 X 250 X 165	520	1062	1198
LH-LICS5-060-xxxx	9.90	12.10	1540 X 250 X 165	520	1062	1198

