



MAKE MEASUREMENT SIMPLE



LASER DISTANCE METER 



公司介绍 Company Profile

成都景瑞特科技有限公司成立于2004年，是一家专业研发和生产激光测距仪的企业，拥有世界先进的单发单收激光技术。多年来，JRT专注于高精度激光测距传感器和成品激光测距模块的研发和生产，坚持研发生产质量更好、功能更便捷、价格更优惠的激光测距仪。除了批量供应成品外，我们还承接OEM/ODM解决方案，可以满足客户的各种需求。

Chengdu JRT Meter Technology Co., Ltd. was established in 2004 and is an enterprise specializing in the production and development of laser rangefinders, which also with the world's advanced single-shot and single-receive laser technology. For many years, JRT focuses on the R&D and production of high-precision laser ranging sensors and finished laser ranging modules, insisted on developing and producing laser rangefinders with better quality, more convenient functions and more favorable prices. In addition to the bulk supply of finished products, we also undertake OEM / ODM solutions, which can meet the various demands of customers.

团队构成 Our Team

- ▶ JRT 拥有一支充满激情和多元化的团队。我们拥有15名以上工程师组成的研发团队，开发设计新产品，帮助客户解决产品技术问题；20多名销售人员为全球客户提供订单咨询和售后服务，尤其是OEM&ODM订单，我们有丰富的加工经验；在工厂里，有100多名工人帮助我们生产产品，控制质量和功能检查。

JRT has a passionate and diverse team. We have a R&D team composed of more than 15 engineers to develop and design new products, and help customers solve technical problems of products; more than 20 sales staff provide order consultation and after-sales service for customers all over the world, especially OEM&ODM orders, We have rich processing experience; in the factory, there are more than 100 workers to help us produce products, control quality and functional inspections.

- ▶ 目前，我们的产品销往世界各地，以其丰富的功能经验和优质的产品质量赢得了国内外客户的一致好评。无论何时何地，客户的满意是我们永恒的追求和目标。

At present, our products are sold all over the world, and have won unanimous praise from domestic and foreign customers for their rich functional experience and high-quality product quality. No matter when and where, customer satisfaction is our eternal pursuit and goal.

- ✓ **创建于 2004年**
Established in 2004
- ✓ **专注于创新研发**
Focuses on R&D
- ✓ **拥有强大的生产能力**
Strong production capacity
- ✓ **专注激光测距**
Focus on laser measure
- ✓ **承接 OEM/ODM服务**
Undertake OEM/ODM
- ✓ **专业的技术团队**
Professional technical team
- ✓ **经验丰富**
Experienced in laser area
- ✓ **支持各种定制**
Support various customization
- ✓ **7*24 小时售后服务**
7*24 hours after-sales service



公司实力 Company strength

18年
专业经验
EXPERIENCE

15+
工程师
ENGINEERS

50+
国家业务覆盖
countries business coverage

OEM/ODM
服务
SERVICE

基础测量工具 Elementary Measuring Tool

- ▶ 核心组件自主研发
Strong production capacity
- ▶ 手持便携，方便使用
Portable & convenient to use
- ▶ 精致外观
Exquisite appearance



Professional Laser Measure Tool 专业测量工具



- 工业风格
Industrial style
- 坚固耐用
Rugged appearance
- 多种测量功能
Multi-measurement function

远距测量工具 Long Distance Measure Tool

- ▶ 远距离测量
Long-distance measurement
- ▶ 高透内置显示屏
High magnification
- ▶ 视野无色差
Multi-measurement





(包装盒/说明书/挂绳/电池)
(Packing box/Users manual/
Lanyard/battery)

- ✓ 便携耐用 Easy handling
- ✓ 4行数据显示 4-line illuminated display
- ✓ 毫米级精度 High accuracy & stability
- ✓ 多种测量功能 Multi-function measurement

Technical Details/参数

Measuring range/测距范围

Accuracy/精度

Size/产品尺寸

Laser Grade&Type/激光等级&类型

Power Supply/供电模式

Operating time(at 20°C) /测量次数

Protection Class/防护等级

Operating temperature/操作温度

Storage temperature/存储温度

Product Color/产品颜色

C Model/C款

0.03~40m/60m/80m

±2mm

110*36*20mm

Class II ;620~650nm,<1mw

干电池, AAA 1.5V*2

5000 次

IP54

0 °C to 40 °C

-20 °C to 60 °C

黑/灰/银/蓝/红

Black/Blue/Slivery/Grey/Red



(包装盒/说明书/挂绳/充电线)
(Packing box/Users manual/
Lanyard/Charging cable)

- ✓ 便携耐用 Easy handling
- ✓ 4行数据显示 4-line illuminated display
- ✓ 金属外壳 Metal shell
- ✓ 多种测量功能 Multi-function measurement

Technical Details/参数

Measuring range/测距范围

Accuracy/精度

Size/产品尺寸

Laser Grade&Type/激光等级&类型

Power Supply/供电模式

Operating time(at 20°C) /测量次数

Protection Class/防护等级

Operating temperature/操作温度

Storage temperature/存储温度

Product Color/产品颜色

F40

0.03~30m/40m

±2mm

101*32*15mm

Class II ;620~650nm,<1mw

USB rechargeable

200Mah 3000 measurements

IP54

0 °C to 40 °C

-20 °C to 60 °C

红/黑/灰
Red/Black/Grey



(包装盒/说明书/挂绳/充电线)
(Packing box/Users manual/
Lanyard/Charging cable)

- ✓ 金属外壳 Metal shell
- ✓ 四行数据显示 4-line illuminated display
- ✓ 多种测量功能 Multi-function measurement
- ✓ 精致便携 Easy to carry and use

Technical Details/参数

Measuring range/测距范围

0.03~40m/60m/80m

Accuracy/精度

±2mm

Size/产品尺寸

109*35*22mm

Laser Grade&Type/激光等级&类型

Class II ;620~650nm,<1mw

Power Supply/供电模式

USB rechargeable

Operating time(at 20°C) /测量次数

200Mah 3000 measurements

Protection Class/防护等级

IP54

Operating temperature/操作温度

0 °C to 40 °C

Storage temperature/存储温度

-20 °C to 60 °C

Product Color/产品颜色

黑色/蓝色/银色/灰色/红色
Black/Blue/Slivery/Grey/Red



- ✓ 包胶外壳 Rubber shell
- ✓ 大屏显示 Large display
- ✓ 长距测量 Long measure range
- ✓ 充电耐用 Lithium battery rechargeable

Technical Details/参数

Measuring range/测距范围	0.03~60m/80m/100m/120m/150m
Accuracy/精度	±2mm
Size/产品尺寸	117*50*22mm
Laser Grade&Type/激光等级&类型	Class II ;620~650nm,<1mw
Power Supply/供电模式	USB rechargeable
Operating time(at 20°C) /测量次数	500Mah 6000 measurements
Protection Class/防护等级	IP54
Operating temperature/操作温度	0 °C to 40 °C
Storage temperature/存储温度	-20 °C to 60 °C
Product Color/产品颜色	蓝色/红色(可定制) Blue/Red(customization)

CL150(可做绿光 Green laser available)

0.03~60m/80m/100m/120m/150m
±2mm
117*50*22mm
Class II ;620~650nm,<1mw
USB rechargeable
500Mah 6000 measurements
IP54
0 °C to 40 °C
-20 °C to 60 °C
蓝色/红色(可定制)
Blue/Red(customization)



L40

- ▶ 测距范围Measuring Range:0.03-30m/40m
- ▶ 精度Accuracy: ±3mm
- ▶ 供电模式Power Supply: 充电款Rechargeable
- ▶ 产品尺寸Size: 100*32*13mm
- ▶ 产品颜色Color:黑色Black/银色Silvery
- ▶ 定制项Customization:Logo/Sticker/Package

M3

- ▶ 测距范围Measuring Range: 0.03-30m/40m
- ▶ 精度Accuracy: ±3mm
- ▶ 供电模式Power Supply:充电款Rechargeable
- ▶ 产品尺寸Size: 90*15*12.6mm
- ▶ 产品颜色Color:黑色Black/银色Silvery
- ▶ 定制项Customization:Logo/Sticker/Package



LA01

- ▶ 测距范围Measuring Range:0.03-30m/40m
- ▶ 精度Accuracy: ±3mm
- ▶ 供电模式Power Supply:充电款Rechargeable
- ▶ 产品尺寸Size: 96*32*12mm
- ▶ 产品颜色Color:Slivery/Black
- ▶ 定制项Customization:Logo/Sticker/Package



D30

- ▶ 测距范围Measuring Range:0.03-30m
- ▶ 精度Accuracy: ± 3 mm
- ▶ 供电模式Power Supply mode:充电款Rechargeable
- ▶ 产品尺寸Size: 62*26*16mm
- ▶ 产品颜色Color:白色White
- ▶ 定制项Customization:Logo/Sticker/Package

D35

- ▶ 测距范围Measuring Range:0.03-30m
- ▶ 精度Accuracy: ± 3 mm
- ▶ 供电模式Power Supply: 干电池Battery
- ▶ 产品尺寸Size: 110*26*13mm
- ▶ 产品颜色Color:白色White
- ▶ 定制项Customization:Logo/Sticker/Package



JQ30

- ▶ 测距范围Measuring Range:0.03-30m
- ▶ 精度Accuracy: ± 3 mm
- ▶ 供电模式Power Supply: 充电款 Rechargeable
- ▶ 产品尺寸Size: 100*32*12mm
- ▶ 产品颜色Color:黑色Black
- ▶ 定制项Customization:Logo/Sticker/Package



W40

- ▶ 测距范围Measuring Range:0.03-40/60/80m
- ▶ 精度Accuracy: ± 3 mm
- ▶ 供电模式Power Supply: 电池Battery
- ▶ 产品尺寸Size: 130*44*32mm
- ▶ 产品颜色Color: 黑色Black/红色Red
- ▶ 定制项Customization: Logo/Sticker/Package

X40

- ▶ 测距范围Measuring Range:0.03-40/60/80m
- ▶ 精度Accuracy: ± 3 mm
- ▶ 供电模式Power Supply: 电池Battery
- ▶ 产品尺寸Size: 118*38*22mm
- ▶ 产品颜色Color: 红Red/蓝Blue/黄Yellow
- ▶ 定制项Customization: Logo/Sticker/Package



C40

- ▶ 测距范围Measuring Range:0.03-40/60/80m
- ▶ 精度Accuracy: ± 3 mm
- ▶ 供电模式Power Supply: 电池Battery
- ▶ 产品尺寸Size: 110*36*20mm
- ▶ 产品颜色Color: 黑色Black/红色Red/蓝色Blue
- ▶ 定制项Customization: Logo/Sticker/Package



D40

- ▶ 测距范围Measuring Range:0.03-120m
- ▶ 精度Accuracy: $\pm 3\text{mm}$
- ▶ 供电模式Power Supply: 电池Battery
- ▶ 产品尺寸Size: 126*56*30mm
- ▶ 产品颜色Color: 黄Yellow/ 蓝Blue/ 红Red
- ▶ 定制项Customization: Logo/Sticker/Package

YL80

- ▶ 测距范围Measuring Range:0.03-120m
- ▶ 精度Accuracy: $\pm 3\text{mm}$
- ▶ 供电模式Power Supply: 电池Battery
- ▶ 产品尺寸Size: 120*45*25mm
- ▶ 产品颜色Color: Grey/Yellow/Green灰/黄/绿
- ▶ 定制项Customization: Logo/Sticker/Package



S2

- ▶ 测距范围Measuring Range:0.03-120m
- ▶ 精度Accuracy: $\pm 3\text{mm}$
- ▶ 供电模式Power Supply: 电池Battery
- ▶ 产品尺寸Size: 120*54*29mm
- ▶ 产品颜色Color: 红Red/ 黄Yellow/ 蓝Blue
- ▶ 定制项Customization: Logo/Sticker/Package



A80

- ▶ 测距范围Measuring Range:0.03-60m/80m
- ▶ 精度Accuracy: $\pm 3\text{mm}$
- ▶ 供电模式Power Supply:充电款Rechargeable
- ▶ 产品尺寸Size: 125*30*14mm
- ▶ 产品颜色Color:白色White
- ▶ 定制项Customization:Logo/Sticker/Package

L80

- ▶ 测距范围Measuring Range:0.03-80m
- ▶ 精度Accuracy: $\pm 3\text{mm}$
- ▶ 供电模式Power Supply:USB Rechargeable
- ▶ 产品尺寸Size: 120*33.6*13.8mm
- ▶ 产品颜色Color: 银色Slivery/黑色black
- ▶ 定制项Customization:Logo/Sticker/Package





TAPE A

- ▶ 测距范围Measuring Range: 40m+5m
- ▶ 供电模式Power Supply mode: 充电款rechargeable
- ▶ 产品尺寸Size: 85*43*75mm
- ▶ 产品颜色Color: 黑色Black/白色white/灰色Grey
- ▶ 定制项Customization: Logo/Sticker/Package

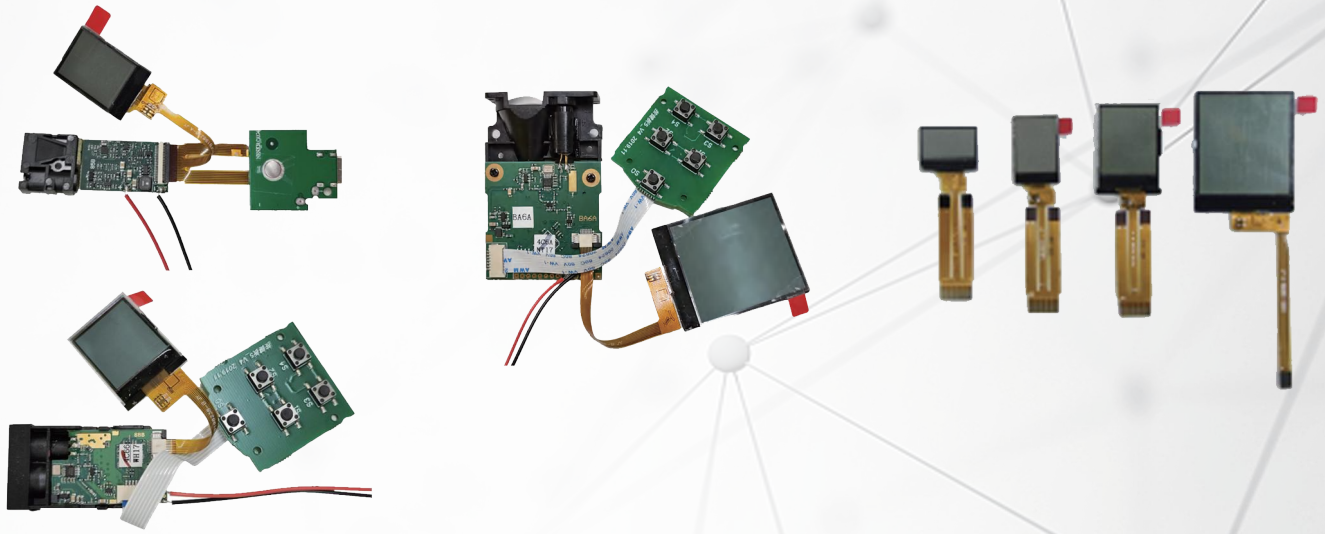
TAPE B

- ▶ 测距范围Measuring Range: 30m+5m
- ▶ 供电模式Power Supply mode: 充电款rechargeable
- ▶ 产品尺寸Size: 75*70*35mm
- ▶ 产品颜色Color: 黑色Black/红色Red
- ▶ 定制项Customization: Logo/Sticker/Package



TAPE D

- ▶ 测距范围Measuring Range: 40m+5m
- ▶ 供电模式Power Supply mode: 充电款rechargeable
- ▶ 产品尺寸Size: 72*72*35mm
- ▶ 产品颜色Color: 红Red/蓝Blue/金Gold
- ▶ 定制项Customization: Logo/Sticker/Package



Technical Details/参数	大模块 (L Module)	中模块 (M Module)	小模块 (S Module)
精度/Accuracy	±3mm		
测距距离/Measure Range	0.03~150m	0.03~80m	0.03~40m
测量单位/Measuring unit	m/in/ft		
测量时间/Mesuring Time	0.1-4s		
激光分类/Laser Grade&Type	CLASS II ,620~690nm, < 1mW		
尺寸/Size	72*40*18mm (±1mm)	45*25*12mm (±1mm)	41*17*7mm (±1mm)
电压/Voltage	DC2.0~3.3V		
工作温度/Operating temperature	0-40°C (32-104°F)		
存储温度/Storage temperature	-25~60°C (-13~140°F)		
功能/Function	<p>启动和关闭仪器、单位设定、基准设置、背光开启和关闭、清除功能、距离单次测量、距离连续测量、电子倾角、三角测量、面积测量、体积测量、放样功能、勾股定理间接测量、加减测量功能</p> <p>Switch on/off、Changing the Unit of Measure、Selecting the benchmark、Display Illumination、Clear-off function、single measurement、continuous measurement、Electronic level、Triangulation、Area measurement、Volume measurement、Stakeout function、Pythagorean theorem indirect measurement、Addition and subtraction measurement</p>		



Technical Details/参数

PTFG series

激光类型/Laser Type

Class I , 905nm

测距范围/Measure Range

1~/800m /1000m/1200m

测量单位/Measuring unit

M/Y 米/码

测量时间/Mesuring Time

0.5-1.5s

精度/Accuracy

±1m

显示屏/Screen

High transmittance LCD (>90%)

高透光率 LCD (>90%)

产品颜色/Color

Black黑色

产品尺寸/Product size

102*70*36mm

产品净重/Net Weight

130g

供电模式/Power supply

3.7V 500Mah Lithium battery

3.7V 500Mah锂电池

防尘防水/Protection Grade

IP54

工作温度/Working Temperature

0~40°C

测量功能/Measuring Function

Liner distance,Horizontal distance,Vertical distance measure; Slope compensation; Inclination,Velocity Measurement;Flagpole locking
直线测量/水平测量/垂直测量/斜坡补偿/倾角、速度测量/旗杆锁定

内置配件/Inside Package

Laser rangefinder*1; Bilingual manual*1; Lanyard*1;USB charging cable*1

测距仪、说明书、挂绳、充电线



Technical Details/参数

A01

激光类型/Laser Type

Class I , 905nm

测距范围/Measure Range

1~/800m /1000m/1200m

测量单位/Measuring unit

M/Y 米/码

测量时间/Mesuring Time

0.5-1.5s

精度/Accuracy

±1m

显示屏/Screen

High transmittance LCD (>90%)
高透光率 LCD (>90%)

产品颜色/Color

Black黑色

产品尺寸/Product size

95*54*33.1mm

产品净重/Net Weight

130g

供电模式/Power supply

3.7V 500Mah Lithium battery
3.7V 500Mah锂电池

防尘防水/Protection Grade

IP54

工作温度/Working Temperature

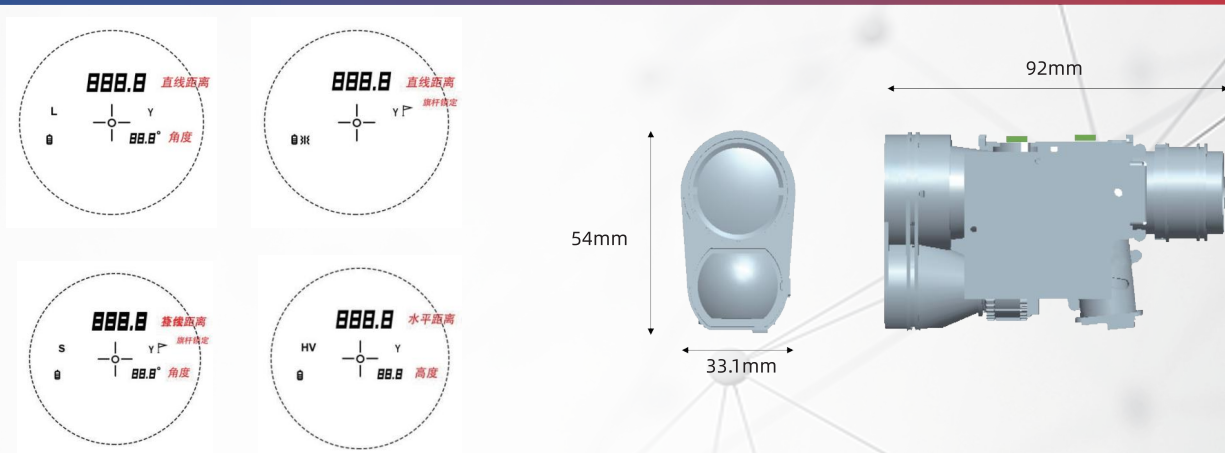
0~40°C

测量功能/Measuring Function

Liner distance,Horizontal distance,Vertical distance measure; Slope compensation; Inclination,Velocity Measurement;Flagpole locking
直线测量/水平测量/垂直测量/斜坡补偿/倾角、速度测量/旗杆锁定

内置配件/Inside Package

Laser rangefinder*1; Bilingual manual*1; Lanyard*1;USB charging cable*1
测距仪、说明书、挂绳、充电线



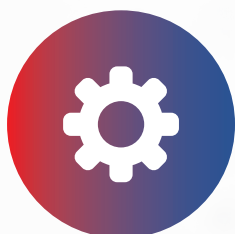
分类	选项	参数指标
光学参数	倍率	6倍
	物镜直径	23.5毫米
	目镜直径	15毫米
	出瞳距离	15毫米
	出瞳直径	3.5毫米
	FOV	6.5度
外观尺寸	尺寸	92* 54 * 33.1毫米
性能指标	测量范围	5-1000米(可定制600 /800/1000/1200版本)
	测量精度	小于200米: +/-1米 大于200米: +/-0.5%
	分辨率	+/-0.1米
	测量时间	典型值0.5秒最大1.5秒 (低反射率目标)
	倾角精度	+/-2度
	显示	高透光率LCD (>90%)
	电池	默认CR2版本, 不含电池 (可定制锂电版, 默认不含电池)
	按键板	可定制
	震动功能	可定制 (默认不含)
	测量功能	直线测量/水平测量/垂直测量/ 斜坡补偿/倾角、速度测量/ 旗杆锁定



工厂直销 FACTORY DIRECT SALES

自主生产、质优价廉、稳定供应

Factory production provide favorable price and stable supply for your order



支持定制 SUPPORT CUSTOMIZATION

支持方案、外观、距离、精度等全方位定制

Provide customization service on the appearance, measurement range, accuracy of product to meet various demands



质量保障 GUARANTEED QUALITY

质量稳定，精度准确，专业售后

Stable measurement performance, high accuracy, meet a variety of measurement needs; Professional after-sales team provides most satisfactory services.



研发实力 STRONG R&D ABILITY

自主研发、技术优异、持续创新

Independent R&D of rangefinder modules and chips ect.; develop new products every year.



MAKE MEASUREMENT SIMPLE

联系我们

CONTACT US

联系电话Telephone

+86-28-83533012

联系邮箱Email

info@lasermeasuretool.com

官方网站Website

<http://www.jrtmfg.com>

公司地址Address

四川省成都市高新区天府五街菁蓉汇1A栋5楼
Floor 5, Building 1A, Jingronghui,
Tianfu Fifth Street, High-tech Zone, Chengdu City,
Sichuan Province