



CPS Series High Efficiency Double-suction Centrifugal Pump

CPS系列高效节能双吸离心泵

全心做好泵 信赖到永远
BEST PUMP FOREVER TRUST

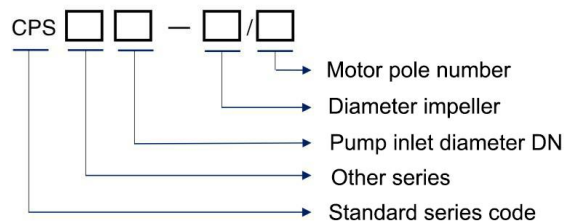


郑州市神龙泵业有限公司
Zhengzhou Shenlong Pump Industry CO., LTD

● Performance Range

Capacity: 100~30000m ³ /h	Head: 7~220m
Efficiency: up to 92%	Power: 15~4000kW
Inlet Diameter: 150~1600mm	Outlet Diameter: 100~1400mm
Working Pressure: ≤2.5Mpa	Temperature: -20℃~80℃

● Model Nomenclature



● Applications

Power industry
 Paper making industry
 Iron and steel industry
 The petrochemical industry
 Water industry
 Desalination of sea water

● Standard Material

Part	Material							
	HT250	QT500-7	Cast steel	304	2Cr13	40Cr	45	Others
Pump Casing	●	○	○					○
Impeller	●		○	○				○
Shaft					○	●	○	○
Shaft Sleeve				●			○	○
Sealing Ring	●			○				○
Bearing Body	●							

Note : ● For clear water ○ For customized order

● Design Details

Pump Casing

- For casing, using ANSYS for optimizing structure, high-intensity.

Pump Impeller

- Staggered vane construction for changing the rate of impeller through pump tongue, which decrease the liquid pulse 1‰~4‰ of the head, more stable flow, higher efficiency, less vibration, working more steady.

Pump Shaft

- The shaft is full sealing which could achieve touchless with liquid, bearing parts are oil lip sealing and V-type sealing ring, which protect against leaking, dust, water and humidity.
- Shaft sealing is packing seal interchangeable with single end surface mechanical-seal; or equip with cartridge mechanical seal, double mechanical seal, and flushing system by standard API682 as per customers' requirement.

Bearing

- For bearing, applying with short span, thicken shaft, which achieves small deflection when rotator running, and works more stable.
- Bearing lubrication, grease for standard, oil for customized.
- Bearing is assembled with interface for testing temperature and vibration, convenient for remote control.

Inlet And Outlet Flange Standards

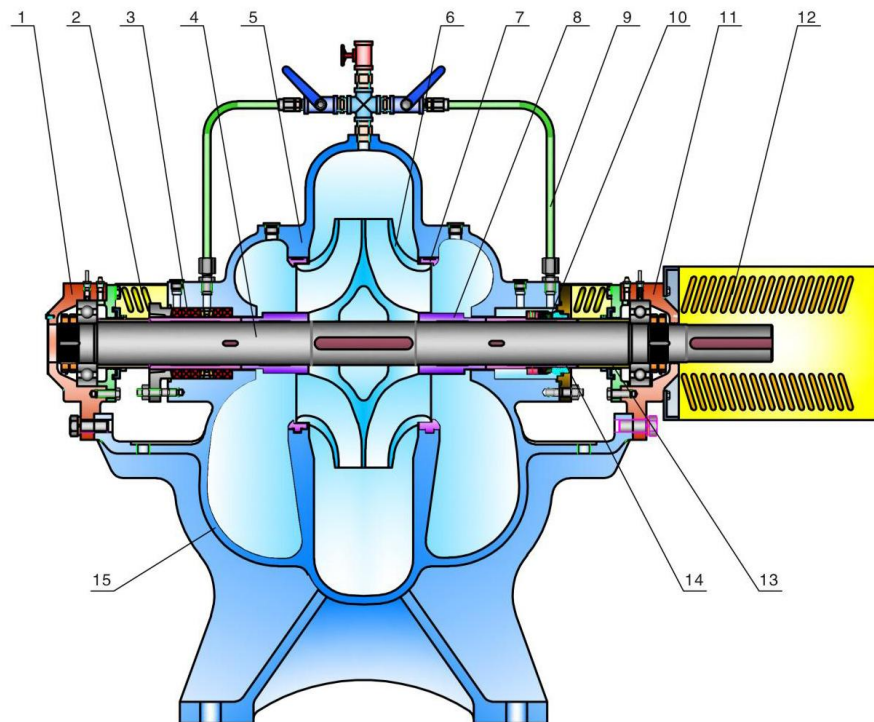
- Pump inlet and outlet flange could be by ISO, DIN, BS, ANSI, KS standards etc.

Others

- Except for casing and impeller, all the other parts had achieved modular designed and standardization of spare parts; all the bearing, sealing part, shaft sleeve in the same shaft series could be interchangeable.
- Default pump rotation is clockwise from driven.

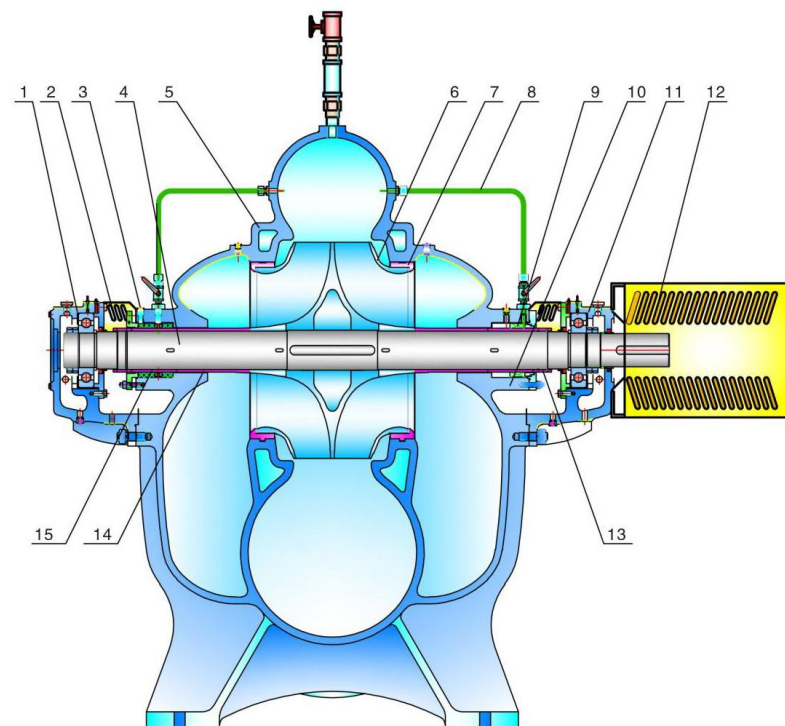


Structure 1



Series	1	2	3	4	5	6
Part	Bearing body parts	Shield	Packing seal parts	Shaft	Cover	Impeller
Series	7	8	9	10	11	12
Part	Sealing ring	Impeller sleeve	Pipe parts	Mechanical seal parts	Bearing body parts	Coupling
Series	13	14	15			
Part	Bearing sleeve	Bearing	Pump body			

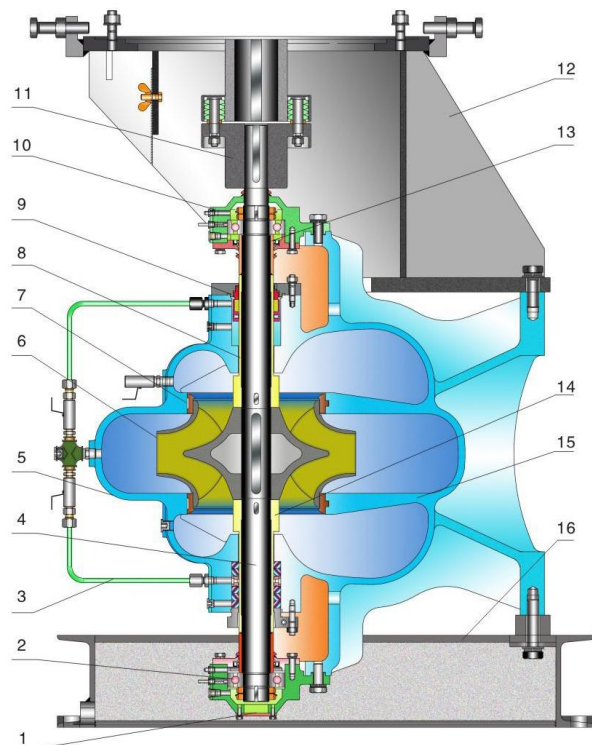
Structure 2



Series	1	2	3	4	5	6
Part	Bearing body parts	Shield	Packing seal parts	Shaft	Cover	Impeller
Series	7	8	9	10	11	12
Part	Sealing ring	Pipe parts	Mechanical seal parts	Pump body	Bearing body parts	Coupling
Series	13	14	15			
Part	Nut	Impeller sleeve	Shaft sleeve			



Vertical Type Structure



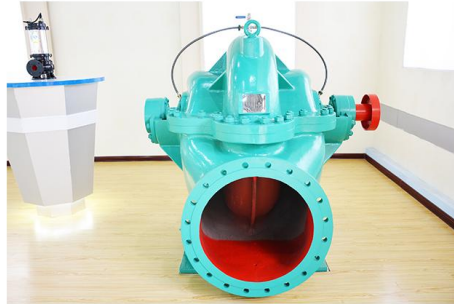
Series	1	2	3	4	5	6
Part	Bearing body parts	Bearing	Flushing line	Shaft	Pump cover	Impeller
Series	7	8	9	10	11	12
Part	Sealing ring	Mechanical seal shaft sleeve	Mechanical seal parts	Bearing body parts	Coupling	Motor base
Series	13	14	15	16		
Part	Bearing spacer sleeve	Packing sleeve	Pump body	Base		

Product Show

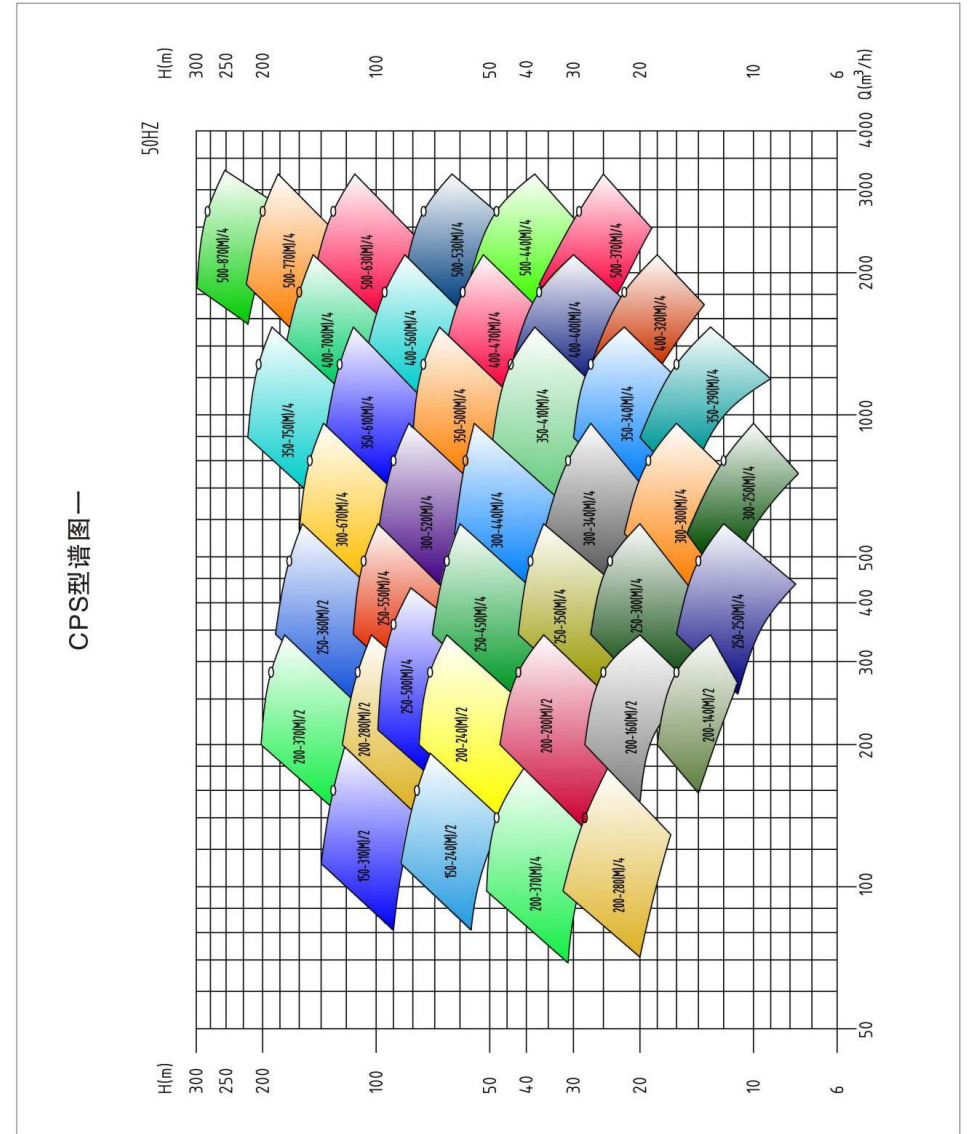
因为专业，所以高效!



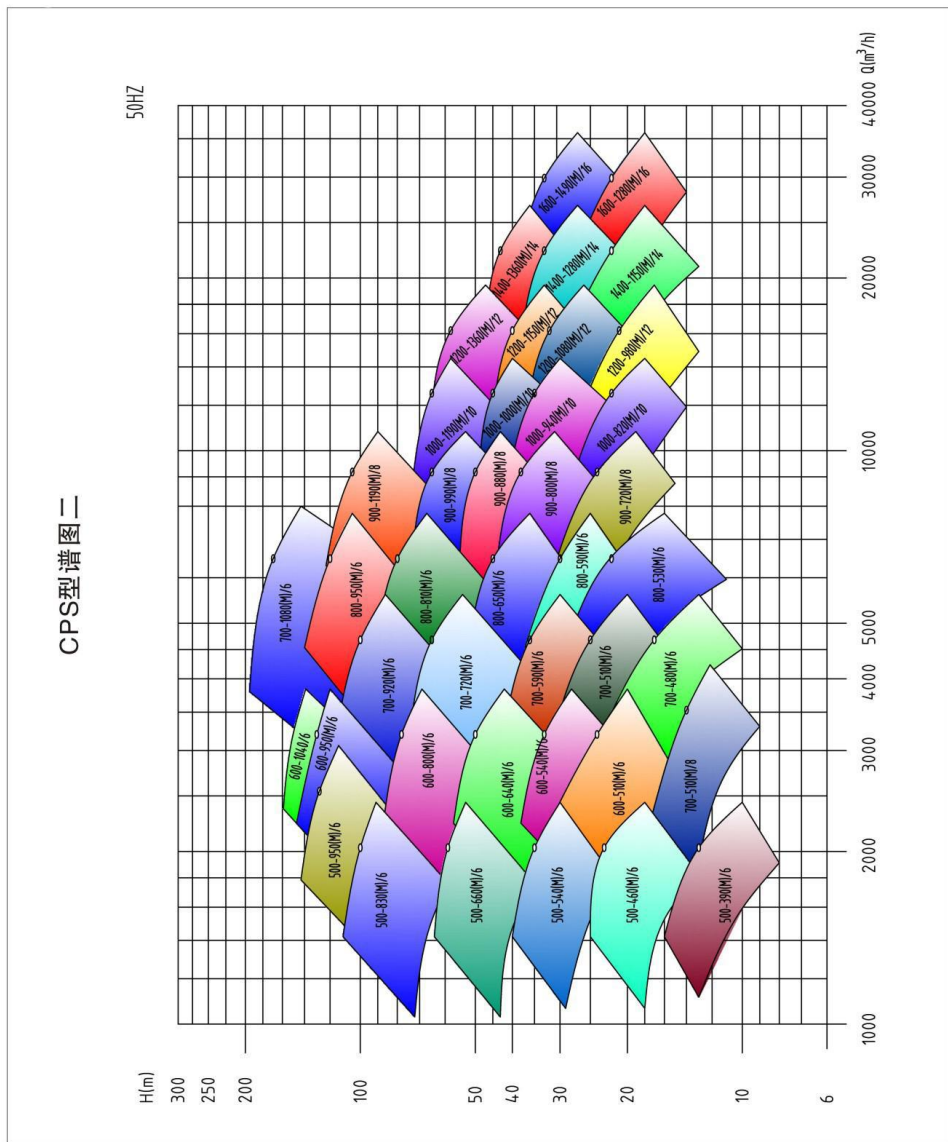
● Product Show



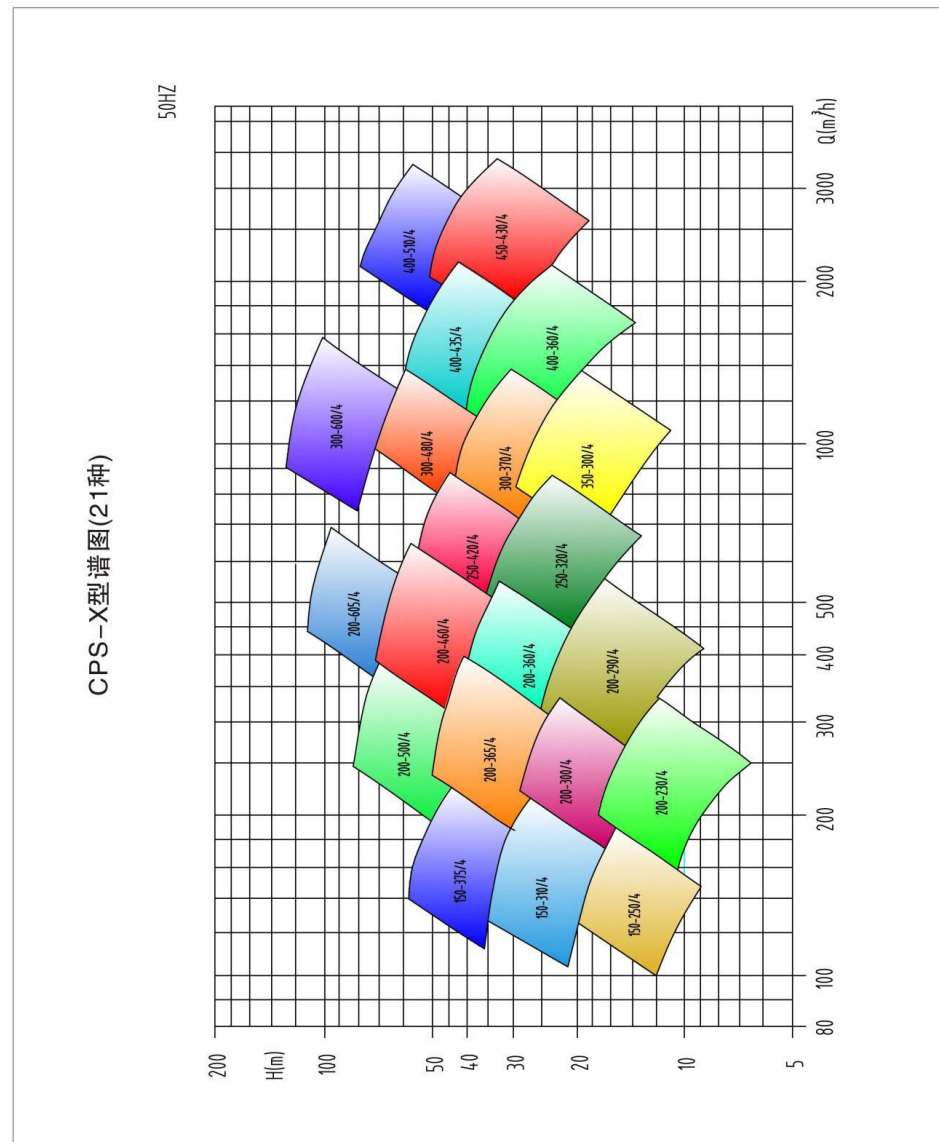
● Spectrum Diagram



● Spectrum Diagram



● Spectrum Diagram



压力极限 Pressure range

泵型号 Model	许用工作压力(MPa)	泵型号 Model	许用工作压力(MPa)
150-240	1.6	600-510	1.0
150-310	1.6	600-540	1.0
200-140	1.0	600-640	1.0
200-160	1.0	600-800	1.6
200-200	1.0	600-950	1.6
200-240	1.6	600-1040	2.5
200-280	1.6	700-480	1.0
200-370	2.5	700-510	1.0
250-250	1.0	700-590	1.0
250-300	1.0	700-610	1.0
250-360	2.5	700-640	1.0
250-350	1.0	700-720	1.0
250-450	1.0	700-920	1.6
250-500	1.6	800-530	1.0
250-550	1.6	800-590	1.0
300-250	1.0	800-650	1.0
300-300	1.0	800-810	1.6
300-340	1.0	800-950	1.6
300-440	1.0	800-650	1.0
300-520	1.6	800-740	1.0
300-670	2.5	800-880	1.0
350-290	1.0	800-1070	1.6
350-340	1.0	900-720	1.0
350-410	1.0	900-800	1.0
350-500	1.6	900-880	1.0
350-610	1.6	900-990	1.0
350-750	2.5	900-1190	1.6
400-320	1.0	1000-820	1.0
400-400	1.0	1000-940	1.0
400-470	1.0	1000-1000	1.0
400-560	1.6	1000-1190	1.0
400-700	2.5	1200-980	1.0
500-370	1.0	1200-1080	1.0
500-440	1.0	1200-1150	1.0
500-530	1.6	1200-1360	1.0
500-630	1.6	1400-1150	1.0
500-770	2.5	1400-1280	1.0
500-390	1.0	1400-1360	1.0
500-460	1.0	1600-1280	1.0
500-540	1.0	1600-1490	1.0
500-660	1.0	1600-1560	1.0
500-830	1.6		

表中极限压力: 材质为HT250的极限压力值。
 允许最大进口压力=极限压力-设计点扬程H(最大叶轮外径)
 若进口压力大于计算结果, 请咨询我公司共同商讨采用更高强度的材料。

参数(Para.) 型号(Type)	流量(Q) Capacity		扬程(H) Head	转速(n) Speed	轴功率 (Pa) Shaft	电机功 率Motor	效率 Eff.	必需汽 蚀余量 NPSHr	泵重 Pump Weight			
	(m³/h)	(l/s)	(m)	(r/min)	(kW)	(kW)	(%)	(m)	(kg)			
CPS150-240/2	A	112	31.1	86	2970	34.1	55	77	3.5	180		
		160	44.4	78		42.5		80				
		192	53.3	72		48.3		78				
		105	29.2	76		28.4	76					
		150	41.7	69		35.5	79					
		180	50.0	63		40.3	77					
	B	99	27.4	67	23.9	37	75	3.2				
		141	39.2	61	29.8		78					
		169	47.0	56	33.9		76					
	C	92	25.7	59	2970	19.9	30	74	3.1			
		132	36.7	53		24.8		77				
		158	44.0	49		28.2		75				
		95	26.3	77		26.4		75				
		135	37.5	70		33.0		78				
		162	45.0	64		36.7		77				
CPS150-240M/2	A	89	24.7	68	2970	22.3	37	74	3.0	180		
		127	35.3	62		27.8		77				
		152	42.3	57		30.9		76				
		83	23.1	60		18.6	73					
		119	33.1	54		23.2	76					
		143	39.7	50		25.8	75					
	B	78	21.8	53	2970	15.7	30	72	2.9			
		112	31.1	48		19.6		75				
		134	37.3	44		21.8		74				
	CPS150-310/2	A	112	31.1	140	2970	63.8	110	67		3.6	210
			160	44.4	130		77.6		73			
			192	53.3	124		90.1		72			
			105	29.2	123		53.3	66				
			150	41.8	114		64.8	72				
			180	50.0	109		75.3	71				
B		99	27.4	109	2970	45.0	75	65	3.4			
		141	39.2	101		54.6		71				
		169	47.0	96		63.4		70				
C		92	25.7	95	2970	37.5	55	64	3.2			
		132	36.7	88		45.5		70				
		158	44.0	84		52.8		69				
		95	26.3	124		48.4		66				
		135	37.5	116		59.3		72				
		162	45.0	107		66.5		71				
CPS150-310M/2	A	89	24.7	110	2970	40.9	75	65	3.1	210		
		127	35.3	103		50.0		71				
		152	42.3	95		56.2		70				
		83	23.1	96		34.2	64					
		119	33.1	90		41.7	70					
		143	39.7	83		46.9	69					
	B	78	21.8	85	2970	28.9	55	63	3.0			
		112	31.1	80		35.3		69				
		134	37.3	74		39.7		68				

APK PUMP

参数(Para.) 型号(Type)		流量(Q) Capacity		扬程(H) Head (m)	转速(n) Speed (r/min)	轴功率 (Pa) Shaft (kW)	电机功 率Motor (kW)	效率 Eff. (%)	必需汽 蚀余量 NPSHr (m)	泵重 Pump Weight (kg)				
		(m³/h)	(l/s)											
CPS200-140/2		200	55.4	18	2970	12.9	22	76	4.9	320				
		285	79.2	16		15.3		81						
		342	95.0	13		15.9		76						
	A	192	53.3	17		11.6	75	18.5	79		4.8			
		274	76.1	15		14.0	79							
		329	91.3	12		14.4	75							
		B	183	50.9		15	10.4		73			15	77	4.7
			262	72.8		14	12.5		77					
314	87.3		11	12.9	73									
CPS200-140M/2		168	46.7	16	2970	10.5	18.5	70	4.5	320				
		245	68.1	14		12.5		75						
		288	80.0	13		14.4		71						
	A	165	45.7	15		10.0	69	15	73		4.4			
		235	65.3	13		11.3	73							
		282	78.3	12		13.7	70							
		B	158	43.8		14	9.0		67			15	71	4.2
			225	62.5		12	10.2		71					
270	75.0		11	12.4	68									
CPS200-160/2		200	55.4	28	2970	19.0	30	80	4.7	210				
		285	79.2	25		22.8		85						
		342	95.0	20		23.6		79						
	A	192	53.3	26		17.1	79	30	84		4.5			
		274	76.1	23		20.5	84							
		329	91.3	18		21.2	78							
		B	183	50.9		24	15.4		77			22	82	4.4
			262	72.8		21	18.4		82					
314	87.3		17	19.0	76									
C	175	48.6	22	13.7	75	18.5	80	4.3						
	250	69.4	19	16.4	80									
	300	83.3	15	17.0	74									
CPS200-160M/2		172	47.6	26	2970	15.4	22	79	4.3	210				
		245	68.1	23		18.3		84						
		294	81.7	18		18.5		78						
	A	165	45.7	24		13.7	78	22	83		4.2			
		235	65.3	21		16.3	83							
		282	78.3	17		16.5	77							
		B	158	43.8		22	12.4		76			18.5	81	4.1
			225	62.5		19	14.7		81					
	270		75.0	15		14.9	75							
	C	151	42.0	20		11.2	74	15	79		4.0			
		216	60.0	18		13.3	79							
		259	72.0	14		13.5	73							

APK PUMP

参数(Para.) 型号(Type)		流量(Q) Capacity		扬程(H) Head (m)	转速(n) Speed (r/min)	轴功率 (Pa) Shaft (kW)	电机功 率Motor (kW)	效率 Eff. (%)	必需汽 蚀余量 NPSHr (m)	泵重 Pump Weight (kg)				
		(m³/h)	(l/s)											
CPS200-200/2		200	55.4	50	2970	35.3	55	77	5.4	220				
		285	79.2	45		41.1		85						
		342	95.0	38		44.3		80						
	A	192	53.3	46		31.8	76	55	84		5.2			
		274	76.1	42		37.0	79							
		329	91.3	35		39.8	75							
		B	183	50.9		42	28.1		75			45	82	5.1
			262	72.8		38	33.1		82					
	314		87.3	32		35.3	78							
	C	175	48.6	38		24.8	74	37	80		4.9			
		250	69.4	35		29.5	80							
		300	83.3	29		31.0	77							
CPS200-200M/2		172	47.6	43	2970	25.8	37	78	4.9	220				
		245	68.1	38		30.2		84						
		294	81.7	32		31.6		81						
	A	165	45.7	40		23.0	77	30	83		4.8			
		235	65.3	35		27.0	80							
		282	78.3	29		28.3	76							
		B	158	43.8		36	20.5		76			30	81	4.7
			225	62.5		32	24.3		81					
	270		75.0	27		25.1	79							
	C	151	42.0	33		18.4	75	30	79		4.4			
		216	60.0	30		22.0	79							
		259	72.0	25		22.5	78							
CPS200-240/2		200	55.4	77	2970	54.3	90	77	5.4	260				
		285	79.2	72		66.5		84						
		342	95.0	65		73.0		83						
	A	189	52.5	69		46.8	76	75	83		5.2			
		270	75.0	65		57.3	82							
		324	90.0	58		62.8	82							
		B	180	50.0		63	40.9		75			75	82	5.0
			257	71.4		59	50.0		81					
	308		85.7	53		54.8	81							
	C	169	47.1	56		34.6	74	55	81		4.8			
		242	67.2	52		42.3	80							
		290	80.7	47		46.3	80							
CPS200-240M/2		172	47.6	69	2970	42.4	75	76	4.8	260				
		245	68.1	65		52.3		83						
		294	81.7	58		56.6		82						
	A	163	45.3	62		37.0	75	55	82		4.6			
		233	64.7	59		45.5	81							
		280	77.7	52		49.3	81							
		B	154	42.8		56	31.5		74			45	81	4.4
			220	61.1		52	38.8		80					
	264		73.3	47		42.0	80							
	C	146	40.4	50		27.0	73	37	80		4.2			
		208	57.8	47		33.2	80							
		250	69.3	42		36.0	79							

APK PUMP

参数(Para.) 型号(Type)		流量(Q) Capacity		扬程(H) Head (m)	转速(n) Speed (r/min)	轴功率 (Pa) Shaft (kW)	电机功 率Motor (kW)	效率 Eff. (%)	必需汽 蚀余量 NPSHr (m)	泵重 Pump Weight (kg)
		(m³/h)	(l/s)							
CPS200-280/2		200	55.4	132	2970	94.4	160	76	4.6	320
		285	79.2	121		116.0		81		
		342	95.0	111		129.3		80		
	A	188	52.1	117		79.5	132	75	4.4	
		268	74.4	107		97.6		80		
		322	89.3	98		108.8		79		
	B	175	48.6	102		65.4	110	74	4.2	
		250	69.4	93		80.3		79		
		300	83.3	85		89.5		78		
	C	164	45.5	89		54.4	90	73	4.0	
		234	65.0	82		66.7		78		
		281	78.0	75		74.3		77		
CPS200-280M/2		172	47.6	112	2970	70.7	110	74	4.1	320
		245	68.1	101		84.3		80		
		294	81.7	94		100.4		75		
	A	161	44.7	99		59.3	90	73	4.0	
		230	63.9	89		70.6		79		
		276	76.7	83		84.2		74		
	B	151	42.0	87		49.8	75	72	3.8	
		216	60.0	79		59.2		78		
		259	72.0	73		70.7		73		
	C	141	39.1	75		40.7	75	71	3.7	
		201	55.8	68		48.3		77		
		241	67.0	63		57.7		72		
CPS200-280/4		98	27.2	33	1480	11.6	18.5	76	1.8	320
		140	38.9	30		14.1		81		
		170	47.2	28		16.2		80		
	A	92	25.7	29		9.8	15	75	1.7	
		132	36.7	27		12.0		80		
		158	44.0	24		13.3		79		
	B	86	23.9	25		8.1	15	74	1.6	
		123	34.2	23		9.8		79		
		148	41.0	21		10.9		78		
	C	81	22.4	22		6.7	11	73	1.5	
		115	31.9	20		8.1		78		
		138	38.3	18		9.0		77		
CPS200-280M/4		84	23.3	28	1480	8.7	15	74	1.7	320
		120	33.3	25		10.2		80		
		144	40.0	23		12.0		75		
	A	79	22.0	25		7.3	15	73	1.6	
		113	31.4	22		8.6		79		
		136	37.7	20		10.2		74		
	B	74	20.6	22		6.1	11	72	1.5	
		106	29.4	20		7.2		78		
		127	35.3	18		8.5		73		
	C	69	19.3	19		5.1	11	71	1.4	
		99	27.5	17		6.0		77		
		119	33.0	16		7.0		72		

APK PUMP

参数(Para.) 型号(Type)		流量(Q) Capacity		扬程(H) Head (m)	转速(n) Speed (r/min)	轴功率 (Pa) Shaft (kW)	电机功 率Motor (kW)	效率 Eff. (%)	必需汽 蚀余量 NPSHr (m)	泵重 Pump Weight (kg)
		(m³/h)	(l/s)							
CPS200-370/2		200	55.4	242	2970	187.9	280	70	4.9	460
		285	79.2	221		228.8		75		
		370	102.8	186		256.8		73		
	A	188	52.1	214		158.5	250	69	4.7	
		268	74.4	195		192.8		74		
		348	96.6	164		216.5		72		
	B	175	48.6	186		130.5	200	68	4.5	
		250	69.4	170		158.6		73		
		325	90.2	143		178.2		71		
	C	164	45.5	163		108.7	160	67	4.3	
		234	65.0	149		131.9		72		
		304	84.4	125		148.2		70		
CPS200-370M/2		172	47.6	183	2970	125.7	200	68	4.4	460
		245	68.1	171		156.3		73		
		294	81.7	165		186.1		71		
	A	161	44.7	161		105.6	160	67	4.3	
		230	63.9	151		131.1		72		
		276	76.7	145		156.2		70		
	B	151	42.0	142		88.8	132	66	4.0	
		216	60.0	133		110.2		71		
		259	72.0	128		131.2		69		
	C	141	39.1	123		72.6	110	65	3.9	
		201	55.8	115		90.0		70		
		241	67.0	111		107.3		68		
CPS200-370/4		98	27.2	60	1480	22.9	37	70	1.5	460
		140	38.9	56		28.5		75		
		186	51.7	47		32.6		73		
	A	92	25.7	53		19.5	30	69	1.4	
		132	36.7	50		24.2		74		
		158	44.0	34		20.4		72		
	B	86	23.9	46		16.0	30	68	1.3	
		123	34.2	43		19.8		73		
		148	41.0	30		16.8		71		
	C	81	22.4	40		13.3	22	67	1.2	
		115	31.9	38		16.4		72		
		138	38.3	26		13.9		70		
CPS200-370M/4		84	23.3	46	1480	15.5	22	68	1.3	460
		120	33.3	43		19.3		73		
		144	40.0	41		22.7		71		
	A	79	22.0	41		13.1	18.5	67	1.2	
		113	31.4	38		16.3		72		
		136	37.7	36		19.2		70		
	B	74	20.6	36		11.0	18.5	66	1.1	
		106	29.4	34		13.6		71		
		127	35.3	32		16.1		69		
	C	69	19.3	31		9.1	15	65	1.0	
		99	27.5	29		11.3		70		
		119	33.0	28		13.3		68		

APK PUMP

参数(Para.)		流量(Q)		扬程(H)	转速(n)	轴功率	电机功	效率	必需汽	泵重				
型号(Type)		Capacity		Head	Speed	(Pa)	率Motor	Eff.	蚀余量	Pump				
		(m³/h)	(l/s)	(m)	(r/min)	(kW)	(kW)	(%)	(m)	Weight				
		(m³/h)	(l/s)	(m)	(r/min)	(kW)	(kW)	(%)	(m)	(kg)				
CPS250-250/4	A	343	95.3	16	1480	18.7	30	80	4.6	360				
		490	136.1	14		21.7		86						
		588	163.3	12		23.4		82						
		329	91.4	15		16.7		79						
		470	130.6	13		19.4		85						
		564	156.7	11		20.9		81						
	B	315	87.5	13		14.8	78	22	84		4.4			
		450	125.0	12		17.2	84							
		540	150.0	10		18.6	80							
		302	84.0	12		13.3	77							
		C	432	120.0		11	15.4		83			18.5	83	4.2
			518	144.0		9	16.7		79					
CPS250-250M/4	A	291	80.7	14	1480	14.0	22	79	3.9	360				
		415	115.3	13		17.3		85						
		498	138.3	10		16.7		81						
		279	77.4	13		12.5		78						
		398	110.6	12		15.4		84						
		478	132.7	9		15.0		80						
	B	267	74.3	12		11.2	77	18.5	83		3.7			
		382	106.1	11		13.8	79							
		458	127.3	8		13.4	79							
		C	256	71.0		11	9.9		76			15	82	3.6
			365	101.4		10	12.2		82					
		438	121.7	8		11.8	78							
CPS250-250N/4		378	105.0	17	1480	21.9	37	80	4.8	360				
		540	150.0	15		26.0		85						
		621	172.5	13		26.8		82						
CPS250-300/4	A	343	95.3	27	1480	31.1	45	81	3.5	350				
		490	136.1	24		36.8		87						
		588	163.3	20		37.7		85						
		329	91.4	25		27.8		80						
		470	130.6	22		32.9		86						
		564	156.7	18		33.7		84						
	B	315	87.5	23		24.7	79	37	85		3.3			
		450	125.0	20		29.2	83							
		540	150.0	17		29.9	83							
		C	302	84.0		21	22.2		78			30	84	3.2
			432	120.0		19	26.1		84					
		518	144.0	16		26.8	82							
CPS250-300M/4	A	291	80.7	24	1480	23.7	37	80	3.2	350				
		415	115.3	22		28.9		86						
		498	138.3	19		30.7		84						
		279	77.4	22		21.2		79						
		398	110.6	20		25.8		85						
		478	132.7	17		27.4		83						
	B	267	74.3	20		19.0	78	30	84		3.0			
		382	106.1	19		23.1	84							
		458	127.3	16		24.5	82							
		C	256	71.0		19	16.8		77			30	83	2.9
			365	101.4		17	20.4		83					
		438	121.7	15		21.7	81							

APK PUMP

参数(Para.)		流量(Q)		扬程(H)	转速(n)	轴功率	电机功	效率	必需汽	泵重				
型号(Type)		Capacity		Head	Speed	(Pa)	率Motor	Eff.	蚀余量	Pump				
		(m³/h)	(l/s)	(m)	(r/min)	(kW)	(kW)	(%)	(m)	Weight				
		(m³/h)	(l/s)	(m)	(r/min)	(kW)	(kW)	(%)	(m)	(kg)				
CPS250-300N/4		378	105.0	28	1480	36.0	55	80	3.8	350				
		540	150.0	25		42.8		86						
		621	172.5	21		42.8		83						
		343	95.3	186		220.0		79						
CPS250-360/2	A	490	136.1	165	2970	265.4	315	83	6.8	485				
		588	163.3	152		296.9		82						
		322	89.4	164		184.3		78						
		460	127.8	145		222.2		82						
		552	153.3	134		248.7		81						
		302	84.0	145		154.7		77						
	B	432	120.0	128		186.3	81	250	81		6.3			
		518	144.0	118		208.6	80							
		281	78.2	125		126.3	76							
		C	402	111.7		111	152.0		80			220	80	6.0
			482	134.0		102	170.2		79					
		291	80.7	165		167.4	78							
CPS250-360M/2	A	415	115.3	151	2970	208.2	250	82	6.1	485				
		498	138.3	140		234.5		81						
		273	75.8	146		140.7		77						
		390	108.3	133		174.9		81						
		468	130.0	124		197.0		80						
		256	71.0	128		116.9		76						
	B	365	101.4	117		145.2	80	200	80		5.7			
		438	121.7	108		163.6	79							
		238	66.1	111		95.7	75							
		C	340	94.4		101	118.8		79			160	79	5.5
			408	113.3		94	133.9		78					
		378	105.0	190		247.7	79							
CPS250-360N/2		540	150.0	175	2970	310.2	355	83	7.2	485				
		621	172.5	160		338.3		80						
		343	95.3	41		48.5		79						
CPS250-350/4	A	490	136.1	39	1480	60.5	75	86	3.1	390				
		588	163.3	36		67.1		86						
		326	90.6	37		42.2		78						
		466	129.4	35		52.7		85						
		559	155.3	33		58.4		85						
		309	85.8	33		36.3		77						
	B	441	122.5	32		45.2	84	55	84		2.9			
		529	147.0	29		50.0	84							
		292	81.1	30		31.1	76							
		C	417	115.8		28	38.7		83			45	83	2.7
			500	139.0		26	42.8		83					
		291	80.7	38		39.6	76							
CPS250-350M/4	A	415	115.3	35	1480	46.6	55	85	2.7	390				
		498	138.3	31		49.5		85						
		276	76.6	34		34.3		75						
		394	109.4	32		40.3		84						
		473	131.3	28		42.8		84						
		262	72.7	31		29.7		74						
	B	374	103.9	28		34.9	83	45	83		2.5			
		449	124.7	25		37.1	83							
		247	68.6	27		25.4	73							
		C	353	98.1		25	29.7		82			37	82	2.4
			424	117.7		22	31.6		82					

APK PUMP

参数(Para.) 型号(Type)	流量(Q) Capacity		扬程(H) Head	转速(n) Speed	轴功率 (Pa) Shaft	电机功 率Motor	效率 Eff.	必需汽 蚀余量 NPSHr	泵重 Pump Weight			
	(m³/h)	(l/s)	(m)	(r/min)	(kW)	(kW)	(%)	(m)	(kg)			
CPS250-350N/4	378	105.0	43	1480	55.3	90	80	3.3	390			
	540	150.0	40		68.4		86					
	621	172.5	37		74.5		84					
CPS250-450/4	343	95.3	72	1480	84.1	132	80	2.6	480			
	490	136.1	66		104.9		84					
	588	163.3	61		119.2		82					
	A	322	89.4		63	70.5	110	79		2.5		
		460	127.8		58	87.8		83				
		552	153.3		54	99.8		81				
	B	302	84.0		56	59.1	90	78		2.4		
		432	120.0		51	73.6		82				
		518	144.0		47	83.7		80				
	C	281	78.2		48	48.2	75	77		2.3		
		402	111.7		44	60.1		81				
		482	134.0		41	68.3		79				
	CPS250-450M/4	291	80.7		64	1480	64.9	110		78	2.3	480
		415	115.3		60		81.7			83		
		498	138.3		55		92.1			81		
A		273	75.8	57	54.6		90	77	2.2			
		390	108.3	53	68.7			82				
		468	130.0	49	77.4			80				
B		256	71.0	50	45.3		75	76	2.1			
		365	101.4	46	57.0			81				
		438	121.7	43	64.3			79				
C		238	66.1	43	37.1		75	75	2.0			
		340	94.4	40	46.6			80				
		408	113.3	37	52.6			78				
CPS250-450N/4	378	105.0	76	1480	97.8	160	80	2.8	480			
	540	150.0	70		122.6		84					
	621	172.5	66		134.5		83					
CPS250-500/4	280	77.8	95	1480	96.6	160	75	2.8	550			
	400	111.1	87		118.5		80					
	480	133.3	78		130.8		78					
CPS250-550/4	368	102.1	124	1480	167.8	250	74	2.4	580			
	525	145.8	114		206.4		79					
	630	175.0	107		235.4		78					
	A	347	96.3		110	142.5	220	73		2.3		
		495	137.5		101	175.2		78				
		594	165.0		95	199.9		77				
	B	326	90.4		97	119.8	185	72		2.2		
		465	129.2		89	147.1		77				
		558	155.0		84	167.9		76				
	C	301	83.6		83	96.1	160	71		2.1		
		430	119.4		76	117.9		76				
		516	143.3		72	134.5		75				

APK PUMP

参数(Para.) 型号(Type)	流量(Q) Capacity		扬程(H) Head	转速(n) Speed	轴功率 (Pa) Shaft	电机功 率Motor	效率 Eff.	必需汽 蚀余量 NPSHr	泵重 Pump Weight					
	(m³/h)	(l/s)	(m)	(r/min)	(kW)	(kW)	(%)	(m)	(kg)					
CPS250-550M/4	A	291	80.7	106	1480	114.9	200	73	2.2	580				
		415	115.3	100		144.9		78						
		498	138.3	92		162.1		77						
		B	273	75.8		94	96.7	160			72	2.1		
			390	108.3		88	121.9				77			
			468	130.0		81	136.3				76			
	C	256	71.0	82		80.4	132	71	2.1					
		365	101.4	77		101.2		76						
		438	121.7	71		113.2		75						
	CPS300-250/4	A	238	66.1		71	1480	65.9	110		70	2.0	470	
			340	94.4		67		82.9			75			
			408	113.3		62		92.7			74			
B			560	155.6	15	29.3		37	78	5.5				
			800	222.2	12	30.4			86					
			960	266.7	9	28.4			83					
C		538	149.3	14	26.3	30		77	5.4					
		768	213.3	11	27.2			85						
		922	256.0	8	25.4			82						
		B	515	143.1	13			23.4		30	76	5.2		
			736	204.4	10			24.2			84			
			883	245.3	8			22.6			81			
CPS300-250M/4	A	476	132.2	14	1480	23.0	30	79	5.0	470				
		680	188.9	11		24.0		85						
		816	226.7	9		24.4		82						
		B	457	127.0		13	20.6	30			78	4.9		
			653	181.4		10	21.5				84			
			784	217.7		8	21.9				81			
	C	438	121.7	12		18.4	22	77	4.7					
		626	173.9	9		19.2		83						
		751	208.7	8		19.5		80						
	CPS300-250N/4	A	630	175.0		16	1480	34.3	45		80	5.8	470	
			900	250.0		13		37.5			85			
			1035	287.5		10		35.7			79			
CPS300-300/4	A	560	155.6	23	1480	43.9		55	80	5.6	400			
		800	222.2	19		47.1			88					
		960	266.7	16		49.8			84					
		B	538	149.3		21		39.3	55			79		5.4
			768	213.3		18		42.1				87		
	922		256.0	15		44.6		83						
	C	515	143.1	19		35.0		45	78	5.3				
		736	204.4	16		37.5			86					
		883	245.3	14		39.7			82					
		B	493	136.9		18	31.1		37			77	5.1	
			704	195.6		15	33.2					85		
	845	234.7	12	35.2		81								

APK PUMP

参数(Para.) 型号(Type)	流量(Q) Capacity		扬程(H) Head	转速(n) Speed	轴功率 (Pa) Shaft	电机功 率Motor	效率 Eff.	必需汽 蚀余量 NPSHr	泵重 Pump Weight	
	(m³/h)	(l/s)	(m)	(r/min)	(kW)	(kW)	(%)	(m)	(kg)	
CPS300-300M/4	A	476	132.2	20	33.7	45	77	5.3	400	
		680	188.9	17	36.2		87			
		816	226.7	14	37.5		83			
		457	127.0	18	30.2	76				
		653	181.4	16	32.4	86				
		784	217.7	13	33.6	82				
	B	438	121.7	17	27.0	37	75	5.2		
		626	173.9	14	28.9		85			
		751	208.7	12	30.0		81			
		419	116.3	15	23.8	30	74			4.9
		598	166.1	13	25.5		84			
		718	199.3	11	26.5		80			
CPS300-300N/4	630	175.0	24	50.2	75	82	5.9	400		
	900	250.0	21	59.9		86				
	1035	287.5	18	61.1		83				
CPS300-340	A	560	155.6	37	70.6	110	80	4.3	440	
		800	222.2	34	84.2		88			
		960	266.7	30	91.2		86			
		538	149.3	34	63.2	90	79			4.1
		768	213.3	31	75.4		87			
		922	256.0	28	81.7		85			
	B	515	143.1	31	56.3	75	78	4.0		
		736	204.4	29	67.1		86			
		883	245.3	25	72.7		84			
		493	136.9	29	50.0	75	77			3.8
		704	195.6	26	59.4		85			
		845	234.7	23	64.4		83			
CPS300-340M/4	A	476	132.2	33	53.5	75	80	3.4	440	
		680	188.9	30	64.6		86			
		816	226.7	26	68.0		85			
		457	127.0	30	48.0	75	79			3.3
		653	181.4	28	57.9		85			
		784	217.7	24	60.9		84			
	B	438	121.7	28	42.8	55	78	3.2		
		626	173.9	25	51.6		84			
		751	208.7	22	54.3		83			
		419	116.3	26	37.8	55	77			3.1
		598	166.1	23	45.5		83			
		718	199.3	20	47.9		82			
CPS300-340N/4	630	175.0	40	85.8	132	80	4.5	440		
	900	250.0	35	98.6		87				
	1035	287.5	27	91.7		83				
CPS300-440/4	A	560	155.6	61	113.5	200	82	4.6	570	
		800	222.2	59	147.8		87			
		960	266.7	56	172.3		85			
		532	147.8	55	98.5	160	81			4.4
		760	211.1	53	128.2		86			
		912	253.3	51	149.5		84			
	B	504	140.0	49	84.8	132	80	4.3		
		720	200.0	48	110.3		85			
		864	240.0	45	128.6		83			
		476	132.2	44	72.3	110	79			4.0
		680	188.9	43	94.0		84			
		816	226.7	40	109.7		82			

APK PUMP

参数(Para.) 型号(Type)	流量(Q) Capacity		扬程(H) Head	转速(n) Speed	轴功率 (Pa) Shaft	电机功 率Motor	效率 Eff.	必需汽 蚀余量 NPSHr	泵重 Pump Weight	
	(m³/h)	(l/s)	(m)	(r/min)	(kW)	(kW)	(%)	(m)	(kg)	
CPS300-440M/4	A	595	165.3	51	102.1	160	81	4.3	570	
		850	236.1	47	126.5		86			
		1020	283.3	39	132.2		82			
		567	157.5	46	89.4	132	80			4.2
		810	225.0	43	110.8		85			
		972	270.0	35	115.8		81			
	B	532	147.8	41	74.8	110	79	4.0		
		760	211.1	38	92.6		84			
		912	253.3	31	96.8		80			
		504	140.0	37	64.4	90	78			3.8
		720	200.0	34	79.7		83			
		864	240.0	28	83.4		79			
CPS300-440N/4	630	175.0	63	135.2	200	80	4.9	570		
	900	250.0	60	169.1		87				
	1080	300.0	54	184.7		86				
CPS300-520/4	A	560	155.6	105	208.0	280	77	3.4	834	
		800	222.2	96	255.1		82			
		960	266.7	89	283.8		82			
		526	146.2	93	175.1	250	76			3.3
		752	208.9	85	214.5		81			
		902	250.7	79	238.7		81			
	B	493	136.9	81	145.5	220	75	3.2		
		704	195.6	74	178.2		80			
		845	234.7	69	198.3		80			
		459	127.6	71	119.3	200	74			3.1
		656	182.2	65	146.0		79			
		787	218.7	60	162.4		79			
CPS300-520M/4	A	476	132.2	87	144.6	220	78	3.0	834	
		680	188.9	79	178.5		82			
		816	226.7	73	202.8		80			
		448	124.4	77	122.1	200	77			2.9
		640	177.8	70	150.6		81			
		768	213.3	65	171.3		79			
	B	419	116.3	67	101.0	160	76	2.8		
		598	166.1	61	124.4		80			
		718	199.3	56	141.5		78			
		391	108.5	59	83.1	132	75			2.7
		558	155.0	53	102.4		79			
		670	186.0	49	116.4		77			
CPS300-520N/4	630	175.0	104	223.1	315	80	3.6	834		
	900	250.0	94	281.1		82				
	1035	287.5	85	299.6		80				
CPS300-670/4	A	560	155.6	166	337.7	500	75	3.4	1032	
		800	222.2	155	417.0		81			
		960	266.7	146	471.4		81			
		526	146.2	147	284.2	450	74			3.3
		752	208.9	137	350.7		80			
		902	250.7	129	396.4		80			
	B	493	136.9	129	236.4	400	73	3.2		
		704	195.6	120	291.4		79			
		845	234.7	113	329.4		79			
		459	127.6	112	193.9	315	72			3.1
		656	182.2	104	238.8		78			
		787	218.7	98	269.9		78			

APK PUMP

参数(Para.) 型号(Type)		流量(Q) Capacity		扬程(H) Head (m)	转速(n) Speed (r/min)	轴功率 (Pa) Shaft (kW)	电机功 率Motor (kW)	效率 Eff. (%)	必需汽 蚀余量 NPSHr (m)	泵重 Pump Weight (kg)		
		(m³/h)	(l/s)									
CPS300-670M/4	A	476	132.2	145	1480	254.1	400	74	3.1	1032		
		680	188.9	135		312.6						
		816	226.7	125		356.2						
		448	124.4	128		214.7	355	73			3.0	
		640	177.8	120		263.9						
		768	213.3	111		300.9						
	B	419	116.3	112		177.6	280	72	2.9			
		598	166.1	104		218.1						
		718	199.3	97		248.7						
	C	391	108.5	98		146.3	250	71	2.7			
		558	155.0	91		179.5						
		670	186.0	84		204.7						
CPS300-670N/4		630	175.0	165	377.6	560	75	3.6	1032			
		900	250.0	155	475.0							
		1035	287.5	140	512.6							
CPS350-290/4	A	896	248.9	20	1480	60.3	75	81	5.8	650		
		1280	355.6	16		63.4		88				
		1536	426.7	13		64.8		84				
		861	239.2	18		54.1	80	75			87	5.6
	1230	341.7	15	56.9		83						
	1476	410.0	12	58.2		79						
	B	825	229.1	17		48.2	55	86	5.4			
		1178	327.2	14		50.6						
		1414	392.7	11		51.7						
		756	210.0	18		46.3		55			80	5.2
1080		300.0	14	47.3	87							
1296		360.0	11	46.2	84							
726	201.6	17	41.5	79	55	86	5.1					
1037	288.1	13	42.4	83								
1244	345.7	10	41.4	83								
B	696	193.3	15	37.1	45	78	4.9					
	994	276.1	12	37.8								
	1193	331.3	9	36.9								
	980	272.2	20	65.9		90		81	6.1	650		
1400	388.9	16	71.0	86								
1540	427.8	14	71.6	82								
CPS350-290M/4	A	896	248.9	29	1480	88.5	132	80	5.8	590		
		1280	355.6	25		97.9		89				
		1536	426.7	20		98.5		85				
		861	239.2	27		79.5	79	110			88	5.6
		1230	341.7	23		87.9	84					
		1476	410.0	18		88.4	84					
	B	825	229.1	25		70.7	90	78	5.4			
		1178	327.2	21		78.1						
		1414	392.7	17		78.6						
		791	219.7	23		63.2		90			77	5.3
	1130	313.9	19	69.7								
	1356	376.7	16	70.2								



APK PUMP

参数(Para.) 型号(Type)		流量(Q) Capacity		扬程(H) Head (m)	转速(n) Speed (r/min)	轴功率 (Pa) Shaft (kW)	电机功 率Motor (kW)	效率 Eff. (%)	必需汽 蚀余量 NPSHr (m)	泵重 Pump Weight (kg)			
		(m³/h)	(l/s)										
CPS350-340M/4	A	756	210.0	26	1480	65.3	90	82	5.0	590			
		1080	300.0	23		76.9		88					
		1296	360.0	19		78.9		85					
		726	201.6	24		58.5	90	81			4.9		
		1037	288.1	21		68.9		87					
		1244	345.7	18		70.7		84					
	B	696	193.3	22		52.2	75	80	4.7				
		994	276.1	19		61.3							
		1193	331.3	16		63.0							
		665	184.7	20		46.1		75			79	4.6	
		950	263.9	18		54.2					85		
		1140	316.7	15		55.7					82		
CPS350-340N/4		980	272.2	30	100.1	132	80	6.1	590				
		1400	388.9	26	112.7		88						
		1610	447.2	22	116.3		83						
CPS350-410/4	A	896	248.9	50	1480	147.0	200	83	5.5	760			
		1280	355.6	44		172.4		89					
		1536	426.7	38		187.1		85					
		861	239.2	46		132.1		82			200	88	5.4
	1230	341.7	41	154.7		88							
	1476	410.0	35	168.0		84							
	B	825	229.1	42		117.4	160	81	5.2				
		1178	327.2	37		137.5							
		1414	392.7	32		149.3							
		791	219.7	39		105.0		132			80	5.0	
	1130	313.9	34	122.7									
	1356	376.7	30	133.4									
	CPS350-410M/4	A	756	210.0		46	1480	115.5	160		82	4.7	760
			1080	300.0		41		137.1			88		
1296			360.0	34	141.2	85							
726			201.6	42	103.5	132		81	4.5				
1037			288.1	38	122.7			87					
1244			345.7	31	126.5			84					
B		696	193.3	39	92.3	132		80	4.4				
		994	276.1	35	109.4								
		1193	331.3	29	112.8								
		665	184.7	36	81.6			110		79	4.3		
		950	263.9	32	96.6								
		1140	316.7	26	99.6								
CPS350-410N/4		980	272.2	57	183.3	250	83	5.8	760				
		1400	388.9	49	212.4		88						
		1610	447.2	41	219.3		82						
CPS350-500/4	A	784	217.8	99	1480	264.3	355	80	5.3	880			
		1120	311.1	91		319.1		87					
		1344	373.3	82		353.2		85					
		745	206.9	89		229.5		315			79	5.1	
	1064	295.6	82	276.8		86							
	1277	354.7	74	306.4		84							
	B	706	196.0	80		197.6	280	78	4.9				
		1008	280.0	74		238.1							
		1210	336.0	66		263.7							
		666	185.1	72		168.6		250			77	4.7	
	952	264.4	66	203.0									
	1142	317.3	59	224.8									

APK PUMP

参数(Para.) 型号(Type)	流量(Q) Capacity		扬程(H) Head	转速(n) Speed	轴功率 (Pa) Shaft	电机功 率Motor	效率 Eff.	必需汽 蚀余量 NPSHr	泵重 Pump Weight				
	(m³/h)	(l/s)	(m)	(r/min)	(kW)	(kW)	(%)	(m)	(kg)				
CPS350-500M/4	A	756	210.0	75	190.7	280	81	4.8	880				
		1080	300.0	68	232.6		86						
		1296	360.0	61	256.4		84						
		718	199.5	68	165.5	80							
		1026	285.0	61	201.8	85							
		1231	342.0	55	222.5	83							
	B	680	189.0	61	142.5	79	220	78		4.5			
		972	270.0	55	173.6	84							
		1166	324.0	49	191.5	82							
		643	178.5	54	121.6	78	200	83			4.3		
		918	255.0	49	148.0	81							
		1102	306.0	44	163.3	82							
CPS350-520/4		784	217.8	100	260.5	400	86	5.6	1200				
		1120	311.1	92	326.4	86							
		1344	373.3	82	357.4	84							
CPS350-610/4	A	896	248.9	137	407.8	630	82	4.2	1120				
		1280	355.6	125	506.8		86						
		1536	426.7	115	579.8		83						
		843	234.1	121	343.6	81	560			85	4.1		
		1204	334.4	111	426.8	82							
		1445	401.3	102	488.4	80							
	B	788	218.9	106	284.5	500	84	3.9					
		1126	312.8	97	353.2		81						
		1351	375.3	89	404.4		79						
		C	735	204.2	92	233.7	400			83	3.8		
			1050	291.7	84	289.9				80			
			1260	350.0	77	332.0				80			
	CPS350-610M/4		A	756	210.0	124	319.2	500		80		3.9	1120
				1080	300.0	113	391.1			85			
				1296	360.0	104	437.1			84			
		711		197.4	110	268.3	79	450		84	3.8		
		1015		281.9	100	328.5	83						
		1218		338.3	92	367.2	83						
B		665	184.7	96	222.8	355	78	3.6					
		950	263.9	87	272.6		83						
		1140	316.7	80	304.8		82						
		C	620	172.3	83	183.1	315		77	3.5			
			886	246.1	76	223.8			82				
			1063	295.3	70	250.3			81				
CPS350-610N/4				980	272.2	137	440.7	710	83		4.4	1120	
				1400	388.9	128	581.2	84					
				1680	466.7	115	649.8	81					
CPS350-750/4		A	896	248.9	239	747.9	1120	78	4.8	1950			
			1280	355.6	220	924.2		83					
			1536	426.7	196	1012.5		81					
	843		234.1	211	630.5	77	900	82			4.4		
	1204		334.4	195	778.6	80							
	1445		401.3	173	853.2	76							
	B	788	218.9	185	522.5	800	76	4.3					
		1126	312.8	170	644.7		81						
		1351	375.3	152	706.7		79						
		C	735	204.2	161	429.4	710		75		4.1		
			1050	291.7	148	529.3			80				
			1260	350.0	132	580.4			78				

APK PUMP

参数(Para.) 型号(Type)	流量(Q) Capacity		扬程(H) Head	转速(n) Speed	轴功率 (Pa) Shaft	电机功 率Motor	效率 Eff.	必需汽 蚀余量 NPSHr	泵重 Pump Weight		
	(m³/h)	(l/s)	(m)	(r/min)	(kW)	(kW)	(%)	(m)	(kg)		
CPS350-750M/4	A	756	210.0	196	511.0	800	79	4.2	1950		
		1080	300.0	183	648.7		83				
		1296	360.0	169	736.6		81				
		711	197.4	173	429.6	78	710			82	4.1
		1015	281.9	162	545.0	80					
		1218	338.3	149	619.1	77					
	B	665	184.7	152	356.8	630	81	3.9			
		950	263.9	142	452.4		79				
		1140	316.7	131	514.0		76				
		C	620	172.3	132	293.2	560			80	3.8
			886	246.1	123	371.6				80	
			1063	295.3	114	422.3				78	
CPS350-750N/4			980	272.2	220	743.5	1120	79	5.0	1950	
			1400	388.9	205	953.5	82				
			1610	447.2	188	1030.7	80				
CPS400-320/4	A	1274	353.9	27	121.7	1480	77	6.2	950		
		1820	505.6	21	118.3		160			88	
		2184	606.7	16	116.1		82				
	B	1223	339.7	25	109.0	132	76			6.0	
		1747	485.3	19	105.8		87				
		2096	582.3	15	103.9		81				
	C	1172	325.5	23	97.2	132	75			5.8	
		1674	465.0	18	94.2		86				
		2009	558.0	14	92.6		80				
CPS400-320M/4	A	1085	301.4	25	90.1	1480	82	5.5	950		
		1550	430.6	19	92.2		132			87	
		1860	516.7	16	96.5		84				
	B	1042	289.3	23	79.7	110	82			5.3	
		1488	413.3	18	81.6		87				
		1786	496.0	15	85.4		84				
	C	998	277.3	21	71.0	90	81			5.0	
		1426	396.1	16	72.6		86				
		1711	475.3	14	76.1		83				
CPS400-320N/4		1400	388.9	28	128.7	160	83	6.5	950		
		2000	555.6	22	137.8	87					
		2200	611.1	19	138.9	82					
CPS400-400/4	A	1274	353.9	44	181.8	1480	84	6.4	860		
		1820	505.6	39	217.3		250			89	
		2184	606.7	31	217.0		85				
		1223	339.7	41	162.7	220	83			6.2	
		1747	485.3	36	194.3		88				
		2096	582.3	29	194.2		84				
	B	1172	325.5	37	144.9	200	82	6.1			
		1674	465.0	33	172.9		87				
		2009	558.0	26	172.9		83				
		C	1121	311.5	34	128.6	200			81	5.9
			1602	445.0	30	153.3				86	
			1922	534.0	24	153.4				82	

APK PUMP

参数(Para.) 型号(Type)	流量(Q) Capacity		扬程(H) Head	转速(n) Speed	轴功率 (Pa) Shaft	电机功 率Motor	效率 Eff.	必需汽 蚀余量 NPSHr	泵重 Pump Weight	
	(m³/h)	(l/s)	(m)	(r/min)	(kW)	(kW)	(%)	(m)	(kg)	
CPS400-400M/4	A	1085	301.4	40	144.2	200	82	5.7	860	
		1550	430.6	35	167.9		88			
		1860	516.7	29	179.2		82			
		1042	289.3	37	129.1		81			
		1488	413.3	32	150.3		87			
		1786	496.0	27	160.5		81			
	B	998	277.3	34	115.1	160	80	5.4	860	
		1426	396.1	30	133.8		86			
		1711	475.3	25	143.0		80			
		955	265.2	31	102.0		79			
		1364	378.9	27	118.5		85			
		1637	454.7	22	126.8		79			
CPS400-400N/4	C	1400	388.9	46	211.4	280	83	6.9	860	
		2000	555.6	40	247.7		88			
		2300	638.9	33	255.3		81			
CPS400-470/4	A	1274	353.9	70	296.3	400	82	4.9	980	
		1820	505.6	64	348.7		91			
		2184	606.7	57	381.0		89			
		1223	339.7	64	265.3		81			
		1747	485.3	59	311.8		90			
		2096	582.3	53	340.8		88			
	B	1172	325.5	59	236.3	315	80	4.6	980	
		1674	465.0	54	277.4		89			
		2009	558.0	48	303.3		87			
		1121	311.5	54	209.7		79			
		1602	445.0	50	245.9		88			
		1922	534.0	44	268.9		86			
	CPS400-470M/4	A	1085	301.4	62	229.1	315	80	4.4	980
			1550	430.6	55	263.9		88		
			1860	516.7	49	285.4		87		
			1042	289.3	57	205.2		79		
			1488	413.3	51	236.2		87		
			1786	496.0	45	255.4		86		
B		998	277.3	52	182.9	250	78	4.2	980	
		1426	396.1	47	210.3		86			
		1711	475.3	41	227.5		85			
		955	265.2	48	162.2		77			
		1364	378.9	43	186.2		85			
		1637	454.7	38	201.4		84			
CPS400-470N/4	C	1400	388.9	68	312.5	400	83	5.2	980	
		2000	555.6	59	365.3		88			
		2300	638.9	53	390.7		85			
CPS400-560/4	A	1274	353.9	111	464.1	630	83	5.0	1250	
		1820	505.6	104	585.9		88			
		2184	606.7	97	671.1		86			
		1211	336.4	100	403.5		82			
		1730	480.6	94	509.0		87			
		2076	576.7	88	583.1		85			
	B	1147	318.5	90	346.7	450	81	4.6	1250	
		1638	455.0	84	437.1		86			
		1966	546.0	79	500.8		84			
		1083	300.8	80	295.7		80			
		1547	429.7	75	372.5		85			
		1856	515.7	70	427.0		83			

APK PUMP

参数(Para.) 型号(Type)	流量(Q) Capacity		扬程(H) Head	转速(n) Speed	轴功率 (Pa) Shaft	电机功 率Motor	效率 Eff.	必需汽 蚀余量 NPSHr	泵重 Pump Weight	
	(m³/h)	(l/s)	(m)	(r/min)	(kW)	(kW)	(%)	(m)	(kg)	
CPS400-560M/4	A	1085	301.4	98	349.0	500	83	4.5	1250	
		1550	430.6	85	412.5		87			
		1860	516.7	78	465.0		85			
		1031	286.4	89	303.2		82			
		1473	409.2	77	358.2		86			
		1768	491.0	70	403.8		84			
	B	977	271.3	79	260.7	355	81	4.3	1250	
		1395	387.5	69	307.8		85			
		1674	465.0	63	347.1		83			
		923	256.3	71	222.6		80			
		1318	366.1	61	262.7		84			
		1582	439.3	56	296.3		82			
CPS400-560N/4	C	1400	388.9	100	459.5	710	83	5.3	1250	
		2000	555.6	95	594.9		87			
		2300	638.9	85	626.6		85			
CPS400-700/4	A	1274	353.9	178	744.3	1120	83	5.4	1720	
		1820	505.6	160	911.8		87			
		2184	606.7	147	1028.9		85			
		1197	332.5	157	624.9		82			
		1710	475.0	141	765.1		86			
		2052	570.0	130	863.6		84			
	B	1121	311.5	138	520.1	900	81	5.0	1720	
		1602	445.0	124	636.5		85			
		1922	534.0	114	718.6		83			
		1046	290.5	120	427.1		80			
		1494	415.0	108	522.4		84			
		1793	498.0	99	590.0		82			
	CPS400-700M/4	A	1085	301.4	168	598.3	900	83	4.8	1720
			1550	430.6	147	721.7		86		
			1860	516.7	131	799.7		83		
			1020	283.3	148	503.0		82		
			1457	404.7	130	606.5		85		
			1748	485.7	116	672.3		82		
B		955	265.2	130	417.8	630	81	4.4	1720	
		1364	378.9	114	503.6		84			
		1637	454.7	101	558.4		81			
		890	247.1	113	342.2		80			
		1271	353.1	99	412.3		83			
		1525	423.7	88	457.5		80			
CPS400-700N/4	C	1400	388.9	180	827.1	1250	83	5.4	1720	
		2000	555.6	160	1013.6		86			
		2300	638.9	147	1123.2		82			
CPS500-370/4	A	1890	525.0	36	220.7	280	84	7.8	1400	
		2700	750.0	28	231.4		89			
		3240	900.0	22	231.2		84			
		1814	504.0	33	197.6		83			
		2592	720.0	26	207.1		88			
		3110	864.0	20	207.0		83			
	B	1739	483.0	30	176.0	220	82	7.4	1400	
		2484	690.0	24	184.3		87			
		2981	828.0	19	184.4		82			

APK PUMP

参数(Para.) 型号(Type)	流量(Q) Capacity		扬程(H) Head	转速(n) Speed	轴功率 (Pa) Shaft	电机功 率Motor	效率 Eff.	必需汽 蚀余量 NPSHr	泵重 Pump Weight
	(m³/h)	(l/s)	(m)	(r/min)	(kW)	(kW)	(%)	(m)	(kg)
CPS500-370M/4	A	1575	437.5	31	160.2	220	83	7.0	1400
		2250	625.0	25	176.1		87		
		2700	750.0	18.5	158.2		86		
		1512	420.0	29	143.5		82		
	B	2160	600.0	23	157.6	200	86	6.8	
		2592	720.0	17	141.6	85	6.6		
		1449	402.5	26	127.9	160	81	6.6	
		2070	575.0	21	140.4	85	6.6		
C	2484	690.0	16	126.1	84	6.6			
	2100	583.3	35	241.2	280	83	8.2		
	3000	833.3	27	250.7	88	8.2			
	3300	916.7	24	259.9	83	8.2			
CPS500-440/4	A	1890	525.0	51	328.2	450	80	7.5	1350
		2700	750.0	44	363.6		89		
		3240	900.0	34	361.6		83		
		1814	504.0	47	294.1		79		
	B	2592	720.0	41	325.4	400	88	7.4	
		3110	864.0	31	323.8	82	7.4		
		1739	483.0	43	262.1	355	78	7.2	
		2484	690.0	37	289.7	87	7.2		
	C	2981	828.0	29	288.5	81	7.0		
		1663	462.0	39	232.4	77	7.0		
		2376	660.0	34	256.4	315	86	7.0	
		2851	792.0	26	255.6	80	7.0		
CPS500-440M/4	A	1575	437.5	44	236.0	355	80	6.8	1350
		2250	625.0	38	264.7		88		
		2700	750.0	29	260.1		82		
		1512	420.0	41	211.4		79		
	B	2160	600.0	35	236.9	315	87	6.6	
		2592	720.0	27	233.0	81	6.6		
		1449	402.5	37	188.5	280	78	6.4	
		2070	575.0	32	210.9	86	6.4		
	C	2484	690.0	25	207.6	80	6.4		
		1386	385.0	34	167.1	250	77	6.2	
		1980	550.0	29	186.7	85	6.2		
		2376	660.0	22	184.0	79	6.2		
CPS500-440N/4	2100	583.3	57	392.9	450	83	8.0	1350	
	3000	833.3	44	413.3	87	8.0			
	3300	916.7	38	416.6	82	8.0			
	CPS500-530/4	A	1890	525.0	89	532.8	710	86	7.3
2700			750.0	77	629.3	90			
3240			900.0	64	649.3	87			
1814			504.0	82	477.0	85			
B		2592	720.0	71	563.0	630	89	7.1	
		3110	864.0	59	581.1	86	7.1		
		1739	483.0	75	424.8	560	84	7.0	
		2484	690.0	65	501.2	88	7.0		
C		2981	828.0	54	517.5	85	7.0		
		1663	462.0	69	376.2	83	6.8		
		2376	660.0	60	443.6	500	87	6.8	
		2851	792.0	50	458.3	84	6.8		

APK PUMP

参数(Para.) 型号(Type)	流量(Q) Capacity		扬程(H) Head	转速(n) Speed	轴功率 (Pa) Shaft	电机功 率Motor	效率 Eff.	必需汽 蚀余量 NPSHr	泵重 Pump Weight
	(m³/h)	(l/s)	(m)	(r/min)	(kW)	(kW)	(%)	(m)	(kg)
CPS500-530M/4	A	1575	437.5	76	383.6	560	85	6.5	1480
		2250	625.0	65	442.7		90		
		2700	750.0	57	481.9		87		
		1512	420.0	70	343.4		84		
		2160	600.0	60	396.1		89		
		2592	720.0	53	431.3		86		
	B	1449	402.5	64	305.9	450	83	6.2	
		2070	575.0	55	352.5	88	6.2		
		2484	690.0	48	384.1	85	6.2		
		1386	385.0	59	271.0	400	82	6.0	
		1980	550.0	50	312.1	87	6.0		
		2376	660.0	44	340.1	84	6.0		
CPS500-530N/4	2100	583.3	86	578.8	800	85	7.7	1480	
	3000	833.3	76	705.8	88	7.7			
	3300	916.7	66	714.8	83	7.7			
CPS500-630/4	A	1890	525.0	132	809.1	1120	84	6.9	2200
		2700	750.0	123	1028.1		88		
		3240	900.0	115	1194.1		85		
		1796	498.8	119	702.0		83		
	B	2565	712.5	111	891.6	1000	87	6.6	
		3078	855.0	104	1036.0	84	6.6		
		1701	472.5	107	604.2	82	6.4		
		2430	675.0	100	766.9	86	6.4		
	C	2916	810.0	93	891.5	83	6.4		
		1607	446.3	95	515.3	800	81	6.2	
		2295	637.5	89	653.6	85	6.2		
		2754	765.0	83	760.2	82	6.2		
CPS500-630M/4	A	1575	437.5	130	672.0	900	83	6.2	2200
		2250	625.0	110	775.0		87		
		2700	750.0	100	875.6		84		
		1497	415.7	117	583.6		82		
	B	2138	593.9	99	622.6	900	86	6.0	
		2566	712.7	90	760.3	83	6.0		
		1418	393.8	105	502.0	710	81	5.8	
		2025	562.5	89	578.3	85	5.8		
	C	2430	675.0	81	653.9	82	5.8		
		1339	372.0	94	428.5	630	80	5.7	
		1913	531.4	80	493.3	84	5.7		
		2296	637.7	72	558.1	81	5.7		
CPS500-630N/4	2100	583.3	150	1021.6	1400	84	7.8	2200	
	3000	833.3	130	1221.2	87	7.8			
	3300	916.7	115	1245.6	83	7.8			
CPS500-770/4	A	1890	525.0	221	1370.9	2000	83	6.0	2910
		2700	750.0	200	1690.9		87		
		3240	900.0	182	1889.9		85		
		1777	493.5	195	1152.5		82		
	B	2538	705.0	177	1420.7	1600	86	5.8	
		3046	846.0	161	1588.4	84	5.8		
		1663	462.0	171	957.3	81	5.5		
		2376	660.0	155	1179.4	1400	85	5.5	
	C	2851	792.0	141	1318.9	83	5.5		
		1550	430.5	149	784.2	80	5.3		
		2214	615.0	134	965.6	1250	84	5.3	
		2657	738.0	122	1080.1	82	5.3		

APK PUMP

参数(Para.) 型号(Type)	流量(Q) Capacity		扬程(H) Head	转速(n) Speed	轴功率 (Pa) Shaft	电机功 率Motor	效率 Eff.	必需汽 蚀余量 NPSHr	泵重 Pump Weight
	(m³/h)	(l/s)	(m)	(r/min)	(kW)	(kW)	(%)	(m)	(kg)
CPS500-770M/4	A	1575	437.5	198	1480	1036.0	1600	82	2910
		2250	625.0	180		1282.9		86	
		2700	750.0	165		1444.8		84	
		1481	411.3	175		871.1	1250	81	
		2115	587.5	159		1078.1		85	
		2538	705.0	146		1214.5		83	
	B	1386	385.0	153	723.7	1120	80		
		1980	550.0	139	895.1		84		
		2376	660.0	128	1008.6		82		
	C	1292	358.8	133	592.9	900	79		
		1845	512.5	121	732.9		83		
		2214.00	615.00	111	826.1		81		
CPS500-770N/4	2100	583.3	225	1480	1550.8	2240	83	2910	
	3000	833.3	205		1948.1		86		
	3300	916.7	185		2003.7		83		
CPS500-390/6	A	1421	394.7	16	980	79	110	78	1450
		2030	563.9	13		83		87	
		2436	676.7	10		81		82	
		1365	379.2	15		71	77		
		1950	541.7	12		74	86		
		2340	650.0	9		73	81		
	B	1309	363.6	14	64	75	76		
		1870	519.4	11	66		85		
		2244	623.3	8	65		80		
		1211	336.4	15	64	75	77		
		1730	480.6	12	66		86		
		2076	576.7	9	63		81		
CPS500-390M/6	A	1162	322.8	14	980	58	75	76	1450
		1660	461.1	11		59		85	
		1992	553.3	8		56		80	
	1114	309.6	13	51		75	75		
	1592	442.2	10	52			84		
	1910	530.7	8	50			79		
CPS500-390N/6	A	1575	437.5	18	980	99	132	78	1460
		2250	625.0	15		106		87	
		2700	750.0	13		117		82	
		1512	420.0	17		89	110	77	
		2160	600.0	14		95		86	
		2592	720.0	12		104		81	
	B	1449	402.5	15	79	110	76		
		2070	575.0	13	84		85		
		2484	690.0	11	93		80		
		1421	394.7	28	129	185	84		
		2030	563.9	23	143		89		
		2436	676.7	20	160		83		
CPS500-460/6	A	1365	379.2	26	980	116	160	83	1580
		1950	541.7	21		128		88	
		2340	650.0	18		144		82	
		1309	363.6	24		103	132	82	
		1870	519.4	20		114		87	
		2244	623.3	17		128		81	
	C	1253	348.1	22	92	132	81		
		1790	497.2	18	101		86		
		2148	596.7	16	114		80		

APK PUMP

参数(Para.) 型号(Type)	流量(Q) Capacity		扬程(H) Head	转速(n) Speed	轴功率 (Pa) Shaft	电机功 率Motor	效率 Eff.	必需汽 蚀余量 NPSHr	泵重 Pump Weight	
	(m³/h)	(l/s)	(m)	(r/min)	(kW)	(kW)	(%)	(m)	(kg)	
CPS500-460M/6	A	1211	336.4	25	980	98	132	84	1580	
		1730	480.6	21		112		88		
		2076	576.7	17		117		82		
		1162	322.8	23		88	110	83		
		1660	461.1	19		101		87		
		1992	553.3	16		105		81		
	B	1114	309.6	21	78	110	82			
		1592	442.2	18	90		86			
		1910	530.7	14	94		80			
		C	1065	295.9	19	69	90	81		
			1522	422.8	16	79		85		
			1826	507.3	13	83		79		
CPS500-460N/6	1575		437.5	28	141	200	85	1580		
	2250		625.0	24	165		89			
	2700		750.0	19	175		80			
CPS500-540/6	A	1421	394.7	42	980	191	250	85	1530	
		2030	563.9	36		219		91		
		2436	676.7	30		226		88		
		1365	379.2	39		172	220	84		
		1950	541.7	33		196		90		
		2340	650.0	28		203		87		
	B	1309	363.6	36	153	200	83			
		1870	519.4	31	175		89			
		2244	623.3	25	181		86			
		C	1253	348.1	33	136	185	82		
			1790	497.2	28	155		88		
			2148	596.7	23	161		85		
CPS500-540M/6	A		1211	336.4	37	980	147	200	83	1530
			1730	480.6	33		177		88	
			2076	576.7	28		189		84	
		1162	322.8	34	132		185	82		
		1660	461.1	30	158			87		
		1992	553.3	26	169			83		
	B	1114	309.6	31	117	160	81			
		1592	442.2	28	141		86			
		1910	530.7	24	151		82			
		C	1065	295.9	29	104	160	80		
			1522	422.8	26	125		85		
			1826	507.3	22	133		81		
CPS500-540N/6	1575		437.5	41	209	280	84	1530		
	2250		625.0	36	251		88			
	2700		750.0	30	263		84			
CPS500-660/6	A	1421	394.7	65	980	315	450	80	1740	
		2030	563.9	62		399		86		
		2436	676.7	57		430		88		
		1351	375.3	59		274	400	79		
		1930	536.1	56		347		85		
		2316	643.3	52		374		87		
	B	1281	355.8	53	236	355	78			
		1830	508.3	50	299		84			
		2196	610.0	46	322		86			
		C	1211	336.4	47	202	280	77		
			1730	480.6	45	256		83		
			2076	576.7	41	276		85		

APK PUMP

参数(Para.) 型号(Type)		流量(Q) Capacity		扬程(H) Head (m)	转速(n) Speed (r/min)	轴功率 (Pa) Shaft (kW)	电机功 率Motor (kW)	效率 Eff. (%)	必需汽 蚀余量 NPSHr (m)	泵重 Pump Weight (kg)
		(m³/h)	(l/s)							
CPS500-660M/6	A	1211	336.4	56	980	240	355	77	4.0	1740
		1730	480.6	54		293		87		
		2076	576.7	51		335		86		
		1151	319.7	51		209		76		
		1644	456.7	49		254		86		
		1973	548.0	46		291		85		
	B	1090	302.8	45		180	250	75	3.6	
		1557	432.5	44		218		85		
		1868	519.0	41		250		84		
		1029	285.8	40		153		74		
		1470	408.3	39		186		84		
		1764	490.0	37		213		83		
CPS500-660N/6		1575	437.5	69	357	500	83	4.7	1740	
		2250	625.0	58	409		87			
		2700	750.0	48	420		84			
		1421	394.7	118	571		80			
CPS500-830M/6	A	2030	563.9	106	980	682	800	86	4.0	2710
		2436	676.7	98		765		85		
		1351	375.3	107		485		81		
		1930	536.1	96		593		85		
		2316	643.3	89		674		83		
		1281	355.8	96		418		80		
	B	1830	508.3	86		511	560	84	3.7	
		2196	610.0	80		581		82		
		1211	336.4	86		358		79		
		1730	480.6	77		437		83		
		2076	576.7	71		497		81		
		1211	336.4	100		407		81		
CPS500-830N/6	A	1730	480.6	90	980	499	630	85	3.5	2710
		2076	576.7	82		559		83		
		1151	319.7	90		350		81		
		1644	456.7	81		428		85		
		1973	548.0	74		480		83		
		1090	302.8	81		301		80		
	B	1557	432.5	73		368	450	84	3.2	
		1868	519.0	66		412		82		
		1029	285.8	72		256		79		
		1470	408.3	65		314		83		
		1764	490.0	59		351		81		
		1575	437.5	112		586		82		
CPS500-830N/6		2250	625.0	100	721	800	85	4.2	2710	
		2700	750.0	87	790		81			
		1785	495.8	143	869		80			
		2550	708.3	128	1034		86			
CPS500-950M/6	A	3060	850.0	114	980	1118	1250	85	5.0	3900
		1666	462.8	125		698		81		
		2380	661.1	112		851		85		
		2856	793.3	99		931		83		
		1596	443.3	114		621		80		
		2280	633.3	102		757		84		
	B	2736	760.0	91		829	1000	82	4.6	
		1526	423.9	105		550		79		
		2180	605.6	94		670		83		
		2616	726.7	83		733		81		

APK PUMP

参数(Para.) 型号(Type)		流量(Q) Capacity		扬程(H) Head (m)	转速(n) Speed (r/min)	轴功率 (Pa) Shaft (kW)	电机功 率Motor (kW)	效率 Eff. (%)	必需汽 蚀余量 NPSHr (m)	泵重 Pump Weight (kg)
		(m³/h)	(l/s)							
CPS500-950M/6	A	1575	437.5	132	980	717	1120	79	4.6	3900
		2250	625.0	121		873		85		
		2700	750.0	112		981		84		
		1470	408.3	115		569		81		
		2100	583.3	105		710		85		
		2520	700.0	98		807		83		
	B	1400	388.9	104		497	800	80	4.3	
		2000	555.6	96		620		84		
		2400	666.7	88		706		82		
		1330	369.4	94		432		79		
		1900	527.8	86		538		83		
		2280	633.3	80		613		81		
CPS600-510M/6	A	2240	622.2	31	980	225	280	84	6.5	1740
		3200	888.9	25		240		91		
		3840	1066.7	20		243		86		
		2128	591.1	28		195		83		
		3040	844.4	23		208		90		
		3648	1013.3	18		211		85		
	B	2016	560.0	25		168	220	82	6.0	
		2880	800.0	20		179		89		
		3456	960.0	16		182		84		
		1890	525.0	29		182		82		
		2700	750.0	25		204		90		
		3240	900.0	21		213		87		
CPS600-510M/6	A	1796	498.8	26	980	158	200	81	5.6	1740
		2565	712.5	23		177		89		
		3078	855.0	19		185		86		
		1701	472.5	23		136		80		
		2430	675.0	20		152		88		
		2916	810.0	17		159		85		
	B	2464	684.4	32		259	185	83	5.5	
		3520	977.8	26		280		89		
		4048	1124.4	20		276		80		
		2240	622.2	39		280		85		
		3200	888.9	34		329		90		
		3840	1066.7	29		353		86		
CPS600-510N/6	A	2150	597.3	36	980	251	315	84	7.1	2060
		3072	853.3	31		295		89		
		3686	1024.0	27		316		85		
		2061	572.4	33		223		83		
		2944	817.8	29		262		88		
		3533	981.3	25		281		84		
	B	1971	547.6	30		198	250	82	6.8	
		2816	782.2	26		232		87		
		3379	938.7	22		249		83		
		1890	525.0	33		202		84		
		2700	750.0	30		245		90		
		3240	900.0	23		239		85		
CPS600-540M/6	A	1814	504.0	30	980	181	250	83	6.2	2060
		2592	720.0	28		219		89		
		3110	864.0	21		214		84		
		1739	483.0	28		161		82		
		2484	690.0	25		195		88		
		2981	828.0	19		191		83		
	B	1663	462.0	26		143	220	81	6.0	
		2376	660.0	23		173		87		
		2851	792.0	18		169		82		

APK PUMP

参数(Para.) 型号(Type)	流量(Q) Capacity		扬程(H) Head	转速(n) Speed	轴功率 (Pa) Shaft	电机功 率Motor	效率 Eff.	必需汽 蚀余量 NPSHr	泵重 Pump Weight							
	(m³/h)	(l/s)	(m)	(r/min)	(kW)	(kW)	(%)	(m)	(kg)							
CPS600-540N/6	2464	684.4	41	980	328	450	84	7.7	2060							
	3520	977.8	36		384		90			85						
	4048	1124.4	29		376		86			90						
CPS600-640/6	2240	622.2	56	980	397	560	86	5.6	2320							
	3200	888.9	47		455		90			83						
	3840	1066.7	37		466		85			89						
	2150	597.3	52		356	500	85	5.4		2320						
	3072	853.3	43		407		89				82					
	3686	1024.0	34		418		84				88					
	2061	572.4	47		317	450	88	5.2			2320					
	2944	817.8	40		363		81					83				
	3533	981.3	31		372		87					80				
	1971	547.6	43		281	400	83	5.0				2320				
	2816	782.2	36		321		87						80			
	3379	938.7	29		330		85						90			
	CPS600-640M/6	1890	525.0		52	980	315	450					85	5.0	2320	
		2700	750.0		45		368						90			82
		3240	900.0		36		388						84			89
1814		504.0	48	282	400		88	4.8	2320							
2592		720.0	41	329			81						83			
3110		864.0	33	347			88						80			
1739		483.0	44	251	355		88	4.6		2320						
2484		690.0	38	293			83						87			
2981		828.0	30	309			79						85			
1663		462.0	40	223	315		82	4.2			2320					
2376		660.0	35	259			87						84			
2851		792.0	28	274			82						89			
CPS600-640N/6		2464	684.4	59	980		472	630				84	6.2	2320		
		3520	977.8	48			523					88				85
		4048	1124.4	41			532					82				89
CPS600-800/6	2240	622.2	87	980	646	900	82	6.0				3250				
	3200	888.9	79		774		89						86			
	3840	1066.7	69		840		81						88			
	2128	591.1	78		561	800	85	5.8	3250							
	3040	844.4	71		671		80						87			
	3648	1013.3	62		728		84						83			
	2016	560.0	70		483	710	87	5.6		3250						
	2880	800.0	64		577		79						86			
	3456	960.0	56		627		83						85			
	1904	528.9	63		412	560	79	5.4			3250					
	2720	755.6	57		492		86						83			
	3264	906.7	50		534		82						88			
	CPS600-800M/6	1890	525.0		80	980	502	710					82	5.4	3250	
		2700	750.0		70		585						88			85
		3240	900.0		62		644						81			87
1796		498.8	72	436	630		87	5.2				3250				
2565		712.5	63	508			84						80			
3078		855.0	56	559			86						83			
1701		472.5	65	375	500		80	5.1	3250							
2430		675.0	57	437			86						83			
2916		810.0	50	481			79						85			
1607		446.3	58	320	450		79	4.8		3250						
2295		637.5	51	372			85						82			
2754		765.0	45	410			82						85			

APK PUMP

参数(Para.) 型号(Type)	流量(Q) Capacity		扬程(H) Head	转速(n) Speed	轴功率 (Pa) Shaft	电机功 率Motor	效率 Eff.	必需汽 蚀余量 NPSHr	泵重 Pump Weight							
	(m³/h)	(l/s)	(m)	(r/min)	(kW)	(kW)	(%)	(m)	(kg)							
CPS600-800N/6	2464	684.4	88	980	712	1000	83	6.3	3250							
	3520	977.8	80		872		88			84						
	4048	1124.4	68		893		83			87						
	2240	622.2	147		1081		1600			83	5.2	4000				
3200	888.9	130	1303	87	84											
3840	1066.7	120	1495	82	86											
CPS600-950/6	2106	584.9	130	980	909	1400	82	5.0	4000							
	3008	835.6	115		1095		86			83						
	3610	1002.7	106		1257		81			85						
	1971	547.6	114		755	1120	81	4.8		4000						
	2816	782.2	101		909		85				82					
	3379	938.7	93		1044		80				84					
	1837	510.2	99		618	900	84	4.5			4000					
	2624	728.9	87		744		84						81			
	3149	874.7	81		855		82						86			
	CPS600-950M/6	1890	525.0		129	980	810	1250					82	4.5	4000	
		2700	750.0		117		1001						86			83
		3240	900.0		107		1138						81			85
		1777	493.5		114		681	1000				85	4.4	4000		
		2538	705.0		103		841					82				80
		3046	846.0		95		957					84				81
1663		462.0	100	566	900		80	4.2	4000							
2376		660.0	91	698			84					81				
2851		792.0	83	795			79					83				
1550		430.5	87	464	710		79	4.1		4000						
2214		615.0	79	572			83					80				
2657		738.0	72	651			84					86				
CPS600-950N/6		2464	684.4	148	980		1183	1800			84	5.5	4000			
		3520	977.8	130			1450				86					81
		4048	1124.4	120			1634				83					86
CPS600-1040/6	2240	622.2	160	980	1177	1800	83	5.2			5560					
	3200	888.9	142		1440		86					84				
	3840	1066.7	127		1582		82					85				
	2106	584.9	141		989	1600	82	5.0				5560				
	3008	835.6	125		1210		85						83			
	3610	1002.7	112		1330		81						84			
	1971	547.6	124		822	1400	84	4.8	5560							
	2816	782.2	110		1005		82						80			
	3379	938.7	98		1104		83						81			
	1837	510.2	108		673	1120	80	4.6		5560						
	2624	728.9	95		823		83						81			
	3149	874.7	85		905		82						87			
	CPS700-480/6	3276	910.0		23	980	250	355					82	7.2	3450	
		4680	1300.0		17		249						87			84
		5616	1560.0		13		237						81			86
3112		864.5	21	217	315		86	7.0			3450					
4446		1235.0	15	216			83						85			
5335		1482.0	12	206			82						87			

APK PUMP

参数(Para.) 型号(Type)		流量(Q) Capacity		扬程(H) Head (m)	转速(n) Speed (r/min)	轴功率 (Pa) Shaft (kW)	电机功 率Motor (kW)	效率 Eff. (%)	必需汽 蚀余量 NPSHr (m)	泵重 Pump Weight (kg)			
		(m³/h)	(l/s)										
CPS700-480/M/6	A	2772	770.0	21	980	196	280	81	6.8	4500			
		3960	1100.0	15		188		86					
		4752	1320.0	11		170		84					
		2633	731.5	19		170	80	250			85		
		3762	1045.0	14		163	85						
		4514	1254.0	10		147	83						
CPS700-510/6	A	3276	910.0	30	980	348	450	77	7.2	3480			
		4680	1300.0	25		362		88					
		5382	1495.0	22		384		84					
		3145	873.6	28		312		76			400	87	7.0
		4493	1248.1	23		324		87					
	5167	1435.3	20	344		83							
	B	3014	837.3	25		278	75	315	86		6.8		
		4306	1196.1	21		289	86						
		4952	1375.5	19		306	82						
		CPS700-510M/6	A	2772		770.0	25		980			236	315
3960				1100.0	21	260	87						
4554	1265.0			18	276	81							
2661	739.3			23	212	79	280	86		6.2			
3802	1056.1			19	233	86							
4372	1214.5			17	247	80							
B	2551	708.6	21	189	78	250	85	6.0					
	3644	1012.2	18	208	85								
	4191	1164.1	15	220	79								
	CPS700-510/8	A	2470	686.0	17		740		140	200	82	4.5	3480
			3528	980.0	14				153		88		
			4057	1127.0	12				158		84		
2369			658.0	16	125	81		185	87	4.3			
3384			940.0	13	137	87							
3892			1081.0	11	141	83							
B	2268	630.0	14	111	80	160	86	4.2					
	3240	900.0	12	121	86								
	3726	1035.0	10	125	82								
	CPS700-510M/8	A	2092	581.0	15		740		106	160	81	4.0	3480
			2988	830.0	13				122		87		
			3436	954.5	10				113		83		
2003			556.5	14	94	80		132	86	3.8			
2862			795.0	12	108	86							
3291			914.3	9	100	82							
B	1928	535.5	13	85	79	110	85	3.7					
	2754	765.0	11	98	85								
	3167	879.8	8	91	81								
	CPS700-590/6	A	3276	910.0	44		980		473	630	83	6.6	2780
			4680	1300.0	38				533		91		
			5616	1560.0	32				550		89		
3112			864.5	40	411	82		500	90	6.4			
4446			1235.0	34	462	90							
5335			1482.0	29	477	88							
B	2948	819.0	36	354	81	450	89	6.2					
	4212	1170.0	31	397	89								
	5054	1404.0	26	410	87								

APK PUMP

参数(Para.) 型号(Type)		流量(Q) Capacity		扬程(H) Head (m)	转速(n) Speed (r/min)	轴功率 (Pa) Shaft (kW)	电机功 率Motor (kW)	效率 Eff. (%)	必需汽 蚀余量 NPSHr (m)	泵重 Pump Weight (kg)							
		(m³/h)	(l/s)														
CPS700-590M/6	A	2772	770.0	38	980	350	450	82	6.3	2780							
		3960	1100.0	32		384		90									
		4752	1320.0	27		411		85									
		B	2633	731.5		34	304	81			400	89	6.1				
			3762	1045.0		29	333	89									
			4514	1254.0		24	357	84									
			2495	693.0		31	262	80				315		88	5.9		
			3564	990.0		26	286	88									
			4277	1188.0		22	307	83									
			CPS700-610/6	A		3276	910.0	48				980		498	710	86	7.9
4680	1300.0	43			603	91											
5616	1560.0	36			648	85											
3145	873.6	44			446	85	630	90	7.7								
4493	1248.1	40			539	90											
5392	1497.7	33			580	84											
B	3014	837.3			41	397	84	560	89	7.5							
	4306	1196.1		36	480	89											
	5167	1435.3		30	517	83											
	C	2884		801.1	37	352	83		500		88		7.3				
		4120		1144.4	33	425	88										
		4944		1373.3	28	458	82										
		CPS700-610M/6		A	2772	770.0	44				980			391	560	85	
3960					1100.0	38	456	90									
4752			1320.0		33	509	84										
B			2661		739.3	41	350	84		500		89		7.0			
	3802		1056.1		35	408	89										
	4562		1267.3		30	456	83										
	C		2551		708.6	37	312	83	450			88	6.8				
			3644		1012.2	32	363	88									
			4373		1214.7	28	406	82									
			2440		677.6	34	276	82				355			87	6.5	
3485		968.1	29	321	87												
4182		1161.7	26	360	81												
CPS700-720/6		A	3276	910.0	70	980	735	1120		85	7.0	4100					
	4680		1300.0	61	855		91										
	5616		1560.0	50	880		87										
	3145		873.6	65	658		84		900	90			6.8				
	4493		1248.1	56	765		86										
	5392		1497.7	46	787		86										
	B		3014	837.3	59		586		83	800			89	6.5			
		4306	1196.1	52	681		89										
		5167	1435.3	42	701		85										
		C	2884	801.1	54		520	82	710				88		6.4		
			4120	1144.4	47		603	88									
			4944	1373.3	39		621	84									
			CPS700-720M/6	A	2772		770.0	64					980			562	800
	3960				1100.0		58	695		90							
4752	1320.0				48	714	87										
B	2661				739.3	59	503	85		710	89	6.1					
	3802	1056.1			53	622	89										
	4562	1267.3			44	640	86										
	C	2551			708.6	54	448	84	630		88			5.8			
		3644			1012.2	49	554	88									
		4373			1214.7	41	570	85									
		C			2440	677.6	50	397			83				500	87	5.6
3485			968.1	45	490	87											
4182			1161.7	37	504	84											

APK PUMP

参数(Para.) 型号(Type)		流量(Q) Capacity		扬程(H) Head (m)	转速(n) Speed (r/min)	轴功率 (Pa) Shaft (kW)	电机功 率Motor (kW)	效率 Eff. (%)	必需汽 蚀余量 NPSHr (m)	泵重 Pump Weight (kg)
		(m³/h)	(l/s)							
CPS700-920/6	A	3276	910.0	115	980	1237	1600	83	7.5	4700
		4680	1300.0	100		1433		89		
		5616	1560.0	86		1530		86		
		3112	864.5	104		1073		82		
		4446	1235.0	90		1243		88		
		5335	1482.0	78		1328		85		
	B	2948	819.0	93	924	81	1250	81	7.1	
		4212	1170.0	81	1069	87				
		5054	1404.0	70	1142	84				
	C	2785	773.5	83	788	80	1120	80	6.9	
		3978	1105.0	72	911	86				
		4774	1326.0	62	974	83				
CPS700-920M/6	A	2772	770.0	105	980	967	1250	82	6.9	4700
		3960	1100.0	90		1104		88		
		4752	1320.0	78		1188		85		
		2633	731.5	95		840		81		
		3762	1045.0	81		957		87		
		4514	1254.0	70		1031		84		
	B	2495	693.0	85	723	80	1000	80	6.5	
		3564	990.0	73	823	86				
		4277	1188.0	63	887	83				
	C	2356	654.5	76	617	79	800	79	6.3	
		3366	935.0	65	702	85				
		4039	1122.0	56	756	82				
CPS800-530/6	A	4536	1260.0	29	980	432	560	83	9.0	5350
		6480	1800.0	22		441		88		
		7776	2160.0	16		399		85		
		4309	1197.0	26		375		82		
		6156	1710.0	20		383		87		
		7387	2052.0	14		346		84		
CPS800-530M/6	A	4032	1120.0	24	980	322	450	82	8.4	5350
		5760	1600.0	18		321		88		
		6912	1920.0	11		247		84		
		3830	1064.0	22		279		81		
		5472	1520.0	16		278		87		
		6566	1824.0	10		214		83		
CPS800-590/6	A	4536	1260.0	37	980	565	710	81	8.0	5100
		6480	1800.0	31		608		90		
		7776	2160.0	24		598		85		
		4354	1209.4	34		506		80		
		6220	1727.8	29		544		89		
		7464	2073.3	22		535		84		
	B	4172	1158.9	31	450	79	560	79	7.6	
		5960	1655.6	26	484	88				
		7152	1986.7	20	477	83				

APK PUMP

参数(Para.) 型号(Type)		流量(Q) Capacity		扬程(H) Head (m)	转速(n) Speed (r/min)	轴功率 (Pa) Shaft (kW)	电机功 率Motor (kW)	效率 Eff. (%)	必需汽 蚀余量 NPSHr (m)	泵重 Pump Weight (kg)		
		(m³/h)	(l/s)									
CPS800-590M/6	A	4032	1120.0	33	980	448	560	81	7.5	5100		
		5760	1600.0	27		476		89				
		6912	1920.0	22		493		84				
		3871	1075.3	30		401		80				
		5530	1536.1	25		426		88				
		6636	1843.3	20		442		83				
	B	3710	1030.6	28	358	79	450	79	7.0			
		5300	1472.2	23	379	87						
		6360	1766.7	19	394	82						
	CPS800-650/6	A	4536	1260.0	64	980	931	1250	85		8.5	5300
			6480	1800.0	53		1028		91			
			7776	2160.0	45		1096		87			
4354			1209.4	59	833		84					
6220			1727.8	49	920		90					
7464			2073.3	41	981		86					
B		4172	1158.9	54	742	83	1000	83	8.0			
		5960	1655.6	45	818	89						
		7152	1986.7	38	873	85						
C		3990	1108.3	50	657	82	900	82	7.5			
		5700	1583.3	41	724	88						
		6840	1900.0	35	773	84						
CPS800-650M/6	A	4032	1120.0	46	980	602	900	84	7.5	5300		
		5760	1600.0	42		732		90				
		6912	1920.0	33		758		82				
		3871	1075.3	42		539		83				
		5530	1536.1	39		655		89				
		6636	1843.3	30		679		81				
	B	3710	1030.6	39	480	82	710	82	7.0			
		5300	1472.2	36	584	88						
		6360	1766.7	28	605	80						
	C	3553	987.0	36	427	81	630	81	6.8			
		5076	1410.0	33	519	87						
		6091	1692.0	26	538	79						
CPS800-810/6	A	4536	1260.0	91	980	1308	1800	86	8.5	5600		
		6480	1800.0	80		1552		91				
		7776	2160.0	67		1632		87				
		4354	1209.4	84		1170		85				
		6220	1727.8	74		1388		90				
		7464	2073.3	62		1460		86				
	B	4172	1158.9	77	1042	84	1400	84	8.0			
		5960	1655.6	68	1235	89						
		7152	1986.7	57	1300	85						
	C	3990	1108.3	70	922	83	1250	83	7.8			
		5700	1583.3	62	1093	88						
		6840	1900.0	52	1150	84						
CPS800-810M/6	A	4032	1120.0	81	980	1035	1400	86	7.6	5600		
		5760	1600.0	72		1242		91				
		6912	1920.0	60		1299		87				
		3871	1075.3	75		927		85				
		5530	1536.1	66		1111		90				
		6636	1843.3	55		1163		86				
	B	3710	1030.6	69	825	84	1120	84	6.9			
		5300	1472.2	61	989	89						
		6360	1766.7	51	1036	85						
	C	3553	987.0	63	734	83	1000	83	6.5			
		5076	1410.0	56	879	88						
		6091	1692.0	47	921	84						

APK PUMP

参数(Para.) 型号(Type)	流量(Q) Capacity		扬程(H) Head	转速(n) Speed	轴功率 (Pa) Shaft	电机功 率Motor	效率 Eff.	必需汽 蚀余量 NPSHr	泵重 Pump Weight		
	(m³/h)	(l/s)	(m)	(r/min)	(kW)	(kW)	(%)	(m)	(kg)		
CPS800-950/6	A	4536	1260.0	140	2036	2800	85	8.2	6500		
		6480	1800.0	120	2354		90				
		7776	2160.0	105	2557		87				
		4309	1197.0	126	1766	84	2500			89	
		6156	1710.0	108	2041	89					
		7387	2052.0	95	2218	86					
	B	4082	1134.0	113	1520	83	2000	88			
		5832	1620.0	97	1755	88					
		6998	1944.0	85	1908	85					
		C	3856	1071.0	101	1296	82	1800		87	
			5508	1530.0	87	1496	87				
			6610	1836.0	76	1627	84				
CPS800-950M/6	A		4032	1120.0	128	1674	2240	84	6500		
			5760	1600.0	110	1940		89			
			6912	1920.0	95	2081		86			
		3830	1064.0	116	1453	83	2000	88			
		5472	1520.0	99	1682	88					
		6566	1824.0	86	1805	85					
	B	3629	1008.0	104	1250	82	1600	87			
		5184	1440.0	89	1447	87					
		6221	1728.0	77	1553	84					
		C	3427	952.0	92	1066	81	1400		86	
			4896	1360.0	79	1233	86				
			5875	1632.0	69	1324	83				
CPS800-640/8	A		4536	1260.0	28	422	500	82	5700		
			6480	1800.0	22	436		89			
			7776	2160.0	16	399		85			
		4354	1209.4	26	378	81	450	88			
		6220	1727.8	20	390	88					
		7464	2073.3	15	357	84					
	B	4172	1158.9	24	337	80	400	87			
		5960	1655.6	19	347	87					
		7152	1986.7	14	318	83					
		CPS800-640M/8	A	4032	1120.0	26	353	400		81	5700
				5760	1600.0	20	357			88	
				6912	1920.0	14	314			84	
3871	1075.3			24	316	80	355	87			
5530	1536.1			18	319	87					
6636	1843.3			13	281	83					
B	3710		1030.6	22	282	79	355	86			
	5300		1472.2	17	284	86					
	6360		1766.7	12	251	82					
	CPS800-740/8		A	4536	1260.0	40	582	800	85	6000	
				6480	1800.0	36	699		91		
				7776	2160.0	29	740		83		
4354		1209.4		37	521	84	710	90			
6220		1727.8		33	625	90					
7464		2073.3		27	663	82					
B		4172	1158.9	34	463	83	630	89			
		5960	1655.6	30	556	89					
		7152	1986.7	25	590	81					
		C	3990	1108.3	31	410	82	560	88		
			5700	1583.3	28	492	88				
			6840	1900.0	22	523	80				

APK PUMP

参数(Para.) 型号(Type)	流量(Q) Capacity		扬程(H) Head	转速(n) Speed	轴功率 (Pa) Shaft	电机功 率Motor	效率 Eff.	必需汽 蚀余量 NPSHr	泵重 Pump Weight			
	(m³/h)	(l/s)	(m)	(r/min)	(kW)	(kW)	(%)	(m)	(kg)			
CPS800-740M/8	A	4032	1120.0	37	484	710	84	6.4	6000			
		5760	1600.0	33	576		90					
		6912	1920.0	27	620		82					
		3871	1075.3	34	433	83	630			89		
		5530	1536.1	30	515	81						
		6636	1843.3	25	556	87						
		B	3710	1030.6	31	386	82			560	88	
			5300	1472.2	28	459	80					
			6360	1766.7	23	495	81					
	C		3553	987.0	29	343	81	450		87		
			5076	1410.0	26	407	79					
			6091	1692.0	21	441	85					
			CPS800-880/8	A	4536	1260.0	61	887		1250	91	6600
					6480	1800.0	54	1048			86	
					7776	2160.0	45	1109			84	
		4354			1209.4	56	794	90		1120	90	
		6220			1727.8	50	937	85				
		7464			2073.3	41	992	83				
B	4172	1158.9			52	707	89	1000	89			
	5960	1655.6			46	834	84					
	7152	1986.7			38	883	82					
	C	3990		1108.3	47	626	82	900	88			
		5700		1583.3	42	737	83					
		6840		1900.0	35	782	84					
		CPS800-880M/8		A	4032	1120.0	57	746	900	90	6600	
					5760	1600.0	50	872		85		
					6912	1920.0	42	931		83		
3871					1075.3	53	668	89	800	89		
5530					1536.1	46	780	84				
6636					1843.3	39	833	82				
B	3710		1030.6		48	595	82	710	88			
	5300		1472.2		42	695	83					
	6360		1766.7		36	743	81					
	C		3553	987.0	44	529	87	630	87			
			5076	1410.0	39	617	82					
			6091	1692.0	33	660	85					
			CPS800-1070/8	A	4536	1260.0	105	1527	2000	89		9200
					6480	1800.0	90	1786		86		
					7776	2160.0	77	1897		84		
4309					1197.0	95	1325	88	1800	88		
6156					1710.0	81	1548	85				
7387					2052.0	69	1646	83				
B	4082	1134.0			85	1140	87	1600	87			
	5832	1620.0			73	1332	84					
	6998	1944.0			62	1416	82					
	C	3856		1071.0	76	972	86	1400	86			
		5508		1530.0	65	1135	83					
		6610		1836.0	56	1207	84					
		CPS800-1070M/8		A	4032	1120.0	90	1177	1600	88	9200	
					5760	1600.0	80	1427		85		
					6912	1920.0	70	1551		83		
3830					1064.0	81	1021	87	1400	87		
5472					1520.0	72	1237	84				
6566					1824.0	63	1346	82				
B	3629		1008.0		73	879	86	1250	86			
	5184		1440.0		65	1064	83					
	6221		1728.0		57	1158	81					
	C		3427	952.0	65	750	85	1000	85			
			4896	1360.0	58	907	82					
			5875	1632.0	51	987	82					

APK PUMP

参数(Para.) 型号(Type)	流量(Q) Capacity		扬程(H) Head	转速(n) Speed	轴功率 (Pa) Shaft	电机功 率Motor	效率 Eff.	必需汽 蚀余量 NPSHr	泵重 Pump Weight
	(m³/h)	(l/s)	(m)	(r/min)	(kW)	(kW)	(%)	(m)	(kg)
CPS900-720/8	A	6300	1750.0	37	756	800	84	7.2	7500
		9000	2500.0	29	790		90		
		10800	3000.0	22	771		84		
	A	6048	1680.0	34	677	710	83	7.0	
		8640	2400.0	27	707		89		
		10368	2880.0	20	690		83		
	B	5796	1610.0	31	603	630	82	6.8	
		8280	2300.0	25	629		88		
		9936	2760.0	19	615		82		
CPS900-720M/8	A	5544	1540.0	29	528	630	83	6.5	7500
		7920	2200.0	22	533		89		
		9504	2640.0	18	562		83		
	A	5317	1477.0	27	471	560	82	6.3	
		7596	2110.0	20	476		88		
		9115	2532.0	17	502		82		
	B	5116	1421.0	25	425	500	81	6.0	
		7308	2030.0	19	429		87		
		8770	2436.0	15	452		81		
CPS900-800/8	A	6300	1750.0	49	1078	1250	78	8.8	6840
		9000	2500.0	44	1186		91		
		10800	3000.0	36	1204		88		
	A	5985	1662.5	44	937	1000	77	8.6	
		8550	2375.0	40	1028		90		
		10260	2850.0	32	1044		87		
	B	5670	1575.0	40	807	900	76	8.4	
		8100	2250.0	36	884		89		
		9720	2700.0	29	898		86		
CPS900-800M/8	A	5544	1540.0	41	737	1000	84	7.8	6840
		7920	2200.0	35	830		91		
		9504	2640.0	29	884		85		
	A	5267	1463.0	37	640	900	83	7.5	
		7524	2090.0	32	720		90		
		9029	2508.0	26	767		84		
	B	4990	1386.0	33	551	710	82	7.3	
		7128	1980.0	28	619		89		
		8554	2376.0	23	660		83		
CPS900-880/8	A	6300	1750.0	55	1111	1600	85	8.4	7900
		9000	2500.0	50	1348		91		
		10800	3000.0	43	1507		84		
	A	6048	1680.0	51	994	1400	84	8.2	
		8640	2400.0	46	1205		90		
		10368	2880.0	40	1349		83		
	B	5796	1610.0	47	886	1250	83	8.0	
		8280	2300.0	42	1073		89		
		9936	2760.0	36	1202		82		
	C	5544	1540.0	43	785	1120	82	7.8	
		7920	2200.0	39	950		88		
		9504	2640.0	33	1065		81		



APK PUMP

参数(Para.) 型号(Type)	流量(Q) Capacity		扬程(H) Head	转速(n) Speed	轴功率 (Pa) Shaft	电机功 率Motor	效率 Eff.	必需汽 蚀余量 NPSHr	泵重 Pump Weight		
	(m³/h)	(l/s)	(m)	(r/min)	(kW)	(kW)	(%)	(m)	(kg)		
CPS900-880M/8	A	5544	1540.0	50	889	1250	85	7.6	7900		
		7920	2200.0	46	1091		91				
		9504	2640.0	39	1188		85				
	A	5317	1477.0	46	793	1120	84	7.4			
		7596	2110.0	42	973		90				
		9115	2532.0	36	1061		84				
	B	5116	1421.0	43	715	1000	83	7.2			
		7308	2030.0	39	876		89				
		8770	2436.0	33	956		83				
	C	4914	1365.0	39	641	900	82	7.0			
		7020	1950.0	36	786		88				
		8424	2340.0	31	858		82				
	CPS900-990/8	A	6300	1750.0	73	1474	2000	85		7.8	8700
			9000	2500.0	65	1752		91			
			10800	3000.0	53	1814		86			
A		6048	1680.0	67	1320	1800	84	6.9			
		8640	2400.0	60	1567		90				
		10368	2880.0	49	1624		85				
B		5796	1610.0	62	1176	1600	83	6.7			
		8280	2300.0	55	1395		89				
		9936	2760.0	45	1446		84				
C		5544	1540.0	57	1042	1400	82	6.6			
		7920	2200.0	50	1234		88				
		9504	2640.0	41	1281		83				
CPS900-990M/8		A	5544	1540.0	65	1155	1600	85	6.5	8700	
			7920	2200.0	60	1423		91			
			9504	2640.0	48	1445		86			
	A	5317	1477.0	60	1031	1400	84	6.2			
		7596	2110.0	55	1269		90				
		9115	2532.0	44	1290		85				
	B	5116	1421.0	55	929	1400	83	6.0			
		7308	2030.0	51	1143		89				
		8770	2436.0	41	1163		84				
	C	4914	1365.0	51	834	1250	82	5.8			
		7020	1950.0	47	1025		88				
		8424	2340.0	38	1043		83				
	CPS900-1190/8	A	6300	1750.0	123	2484	3150	85	7.5		9500
			9000	2500.0	105	2861		90			
			10800	3000.0	90	3044		87			
A		5985	1662.5	111	2155	2800	84	7.3			
		8550	2375.0	95	2481		89				
		10260	2850.0	81	2641		86				
B		5670	1575.0	100	1855	2500	83	7.1			
		8100	2250.0	85	2133		88				
		9720	2700.0	73	2272		85				
C		5355	1487.5	89	1581	2000	82	6.9			
		7650	2125.0	76	1818		87				
		9180	2550.0	65	1936		84				
CPS900-1190M/8		A	5544	1540.0	112	2014	2800	84	6.8	9500	
			7920	2200.0	95	2304		89			
			9504	2640.0	80	2409		86			
	A	5267	1463.0	101	1748	2240	83	6.6			
		7524	2090.0	86	1998		88				
		9029	2508.0	72	2090		85				
	B	4990	1386.0	91	1504	2000	82	6.4			
		7128	1980.0	77	1718		87				
		8554	2376.0	65	1798		84				
	C	4712	1309.0	81	1283	1800	81	6.2			
		6732	1870.0	69	1464		86				
		8078	2244.0	58	1533		83				

APK PUMP

参数(Para.) 型号(Type)	流量(Q) Capacity		扬程(H) Head	转速(n) Speed	轴功率 (Pa) Shaft	电机功 率Motor	效率 Eff.	必需汽 蚀余量 NPSHr	泵重 Pump Weight			
	(m³/h)	(l/s)	(m)	(r/min)	(kW)	(kW)	(%)	(m)	(kg)			
CPS1000-820/10	A	8820	2450.0	28	792	1000	85	7.0	11000			
		12600	3500.0	22	830		91					
		14490	4025.0	18	826		86					
		8467	2352.0	26	709		84					
		12096	3360.0	20	743		90					
	13910	3864.0	17	740	85							
	B	8114	2254.0	24	631	800	83	6.6	11000			
		11592	3220.0	19	661		89					
		13331	3703.0	15	659		84					
		7560	2100.0	26	638		84					
10800		3000.0	20	654	90							
CPS1000-820M/10	A	12420	3450.0	16	637	710	85	6.5	11000			
		7258	2016.0	24	571		83					
		10368	2880.0	18	585		89					
		11923	3312.0	15	570		84					
		6955	1932.0	22	509		82					
	B	9936	2760.0	17	521	630	88	6.2	11000			
		11426	3174.0	14	508		83					
		8820	2450.0	41	1159		1600			85	7.6	11800
		12600	3500.0	35	1321					91		
		14490	4025.0	30	1377					86		
8379	2327.5	37	1006	84								
11970	3325.0	32	1145	90								
CPS1000-940/10	A	13766	3823.8	27	1195	1400	85	7.4	11800			
		7938	2205.0	33	866		83					
		11340	3150.0	28	984		89					
		13041	3622.5	24	1028		84					
	B	7560	2100.0	37	907	1250	84	7.0	11800			
		10800	3000.0	32	1046		90					
		12960	3600.0	26	1106		83					
CPS1000-940M/10	A	7182	1995.0	33	787	1000	83	6.8	11800			
		10260	2850.0	29	907		89					
		12312	3420.0	23	960		82					
		6804	1890.0	30	678		82					
	B	9720	2700.0	26	780	900	88	6.5	11800			
		11664	3240.0	21	826		81					
		8820	2450.0	49	1369		2000			86	7.2	12200
		12600	3500.0	45	1698					91		
14490	4025.0	40	1858	85								
8467	2352.0	45	1226	85								
CPS1000-1000/10	A	12096	3360.0	41	1519	1800	90	7.0	12200			
		13910	3864.0	37	1664		84					
		8114	2254.0	41	1092		84					
		11592	3220.0	38	1352		89					
		13910	3864.0	37	1684		83					
	B	7762	2156.0	38	967	1600	83	6.8	12200			
		11088	3080.0	35	1197		88					
		12751	3542.0	31	1313		82					
		7560	2100.0	66	12751		590			85	8.0	13000
		10800	3000.0	65	12600					91		
14490	4025.0	58	14490	87								
8467	2352.0	67	8467	85								
12096	3360.0	60	12096	90								
CPS1000-1190/10	A	13910	3864.0	53	13910	710	82	6.3	11000			
		6955	1932.0	22	6955		82					
		9936	2760.0	17	9936		88					
		11426	3174.0	27	11426		82					
		6653	1848.0	35	6653		85					
	B	9504	2640.0	32	9504	630	87	6.2	11000			
		11405	3168.0	27	11405		81					
		8820	2450.0	73	8820		86					
		12600	3500.0	65	12600		91					
		14490	4025.0	58	14490		87					
CPS1000-1190M/10	A	8467	2352.0	67	8467	1400	85	7.4	11800			
		12096	3360.0	60	12096		90					
		13910	3864.0	62	13910		86					
		8114	2254.0	63	8114		84					
		11592	3220.0	55	11592		89					
	B	13331	3703.0	49	13331	1120	85	7.2	11800			
		7762	2156.0	57	7762		83					
		11088	3080.0	50	11088		88					
		12751	3542.0	45	12751		84					
		7560	2100.0	66	7560		85					
CPS1000-1190M/10	A	10800	3000.0	58	10800	1400	89	7.8	13000			
		12420	3450.0	51	12420		86					
		7258	2016.0	61	7258		84					
		10368	2880.0	53	10368		89					
		11923	3312.0	47	11923		85					
	B	6955	1932.0	56	6955	1250	83	7.5	13000			
		9936	2760.0	49	9936		88					
		11426	3174.0	43	11426		84					
		6653	1848.0	51	6653		82					
		9504	2640.0	45	9504		87					
CPS1200-980/12	A	10930	3036.0	39	10930	1000	83	6.4	16500			
		11340	3150.0	27	11340		85					
		16200	4500.0	22	16200		91					
		19440	5400.0	17	19440		86					
		10886	3024.0	25	10886		84					
	B	15552	4320.0	20	15552	900	90	6.6	16500			
		18662	5184.0	16	18662		85					
		10433	2898.0	23	10433		83					
		14904	4140.0	19	14904		89					
		17885	4968.0	14	17885		84					
CPS1200-980M/12	A	10080	2800.0	25	10080	1250	86	6.8	16500			
		14400	4000.0	20	14400		90					
		17280	4800.0	15	17280		85					
		9677	2688.0	23	9677		85					
		13824	3840.0	18	13824		89					
	B	16589	4608.0	14	16589	900	84	6.2	16500			
		9274	2576.0	21	9274		84					
		13248	3680.0	17	13248		88					
		15898	4416.0	13	15898		83					
		7560	2100.0	66	7560		85					

APK PUMP

参数(Para.) 型号(Type)	流量(Q) Capacity		扬程(H) Head	转速(n) Speed	轴功率 (Pa) Shaft	电机功 率Motor	效率 Eff.	必需汽 蚀余量 NPSHr	泵重 Pump Weight
	(m³/h)	(l/s)	(m)	(r/min)	(kW)	(kW)	(%)	(m)	(kg)
CPS1000-1000M/10	A	7560	2100.0	45	1091	1600	85	6.5	12200
		10800	3000.0	41	1341		90		
		12960	3600.0	35	1472		84		
		7258	2016.0	41	976		84		
		10368	2880.0	38	1199		89		
	B	11923	3312.0	30	1160	1250	83	6.1	12200
		6955	1932.0	38	870		83		
		9936	2760.0	35	1068		88		
		11426	3174.0	27	1033		82		
		6653	1848.0	35	770		82		
CPS1000-1190/10	A	9504	2640.0	32	945	1120	87	6.0	12200
		11405	3168.0	27	1040		81		
		8820	2450.0	73	2040		86		
		12600	3500.0	65	2453		91		
		14490	4025.0	58	2632		87		
	B	8467	2352.0	67	1826	2800	85	8.8	13000
		12096	3360.0	60	2194		90		
		13910	3864.0	62	2356		86		
		8114	2254.0	63	1626		84		
		11592	3220.0	55	1953		89		
CPS1000-1190M/10	A	13331	3703.0	49	2098	2500	85	8.5	13000
		7762	2156.0	57	1441		83		
		11088	3080.0	50	1728		88		
		12751	3542.0	45	1858		84		
		7560	2100.0	66	1600		85		
	B	10800	3000.0	58	1897	2240	90	7.8	13000
		12420	3450.0	51	2007		86		
		7258	2016.0	61	1432		84		
		10368	2880.0	53	1697		89		
		11923	3312.0	47	1797		85		
CPS1200-980/12	A	6955	1932.0	56	1276	2000	83	7.1	13000
		9936	2760.0	49	1510		88		
		11426	3174.0	43	1600		84		
		6653	1848.0	51	1130		82		
		9504	2640.0	45	1337		87		
	B	10930	3036.0	39	1417	1800	83	7.3	13000
		11340	3150.0	27	982		85		
		16200	4500.0	22	1067		91		
		19440	5400.0	17	1047		86		
		10886	3024.0	25	879		84		
CPS1200-980M/12	A	15552	4320.0	20	955	1600	90	6.6	16500
		18662	5184.0	16	937		85		
		10433	2898.0	23	783		83		
		14904	4140.0	19	850		89		
		17885	4968.0	14	835		84		
	B	10080	2800.0	25	798	1120	86	6.4	16500
		14400	4000.0	20	872		90		
		17280	4800.0	15	831		85		
		9677	2688.0	23	715		85		
		13824	3840.0	18	780		89		
CPS1200-980M/12	A	16589	4608.0	14	744	900	84	6.2	16500
		9274	2576.0	21	637		84		
		13248	3680.0	17	694		88		
		15898	4416.0	13	663		83		
		7560	2100.0	66	7560		85		

APK PUMP

参数(Para.) 型号(Type)		流量(Q) Capacity		扬程(H) Head (m)	转速(n) Speed (r/min)	轴功率 (Pa) Shaft (kW)	电机功 率Motor (kW)	效率 Eff. (%)	必需汽 蚀余量 NPSHr (m)	泵重 Pump Weight (kg)	
		(m³/h)	(l/s)								
CPS1200-1080/12	A	11340	3150.0	37	495	1314	1800	87	7.0	17600	
		16200	4500.0	32		1552		91			
		19440	5400.0	26		1602		86			
	B	10773	2992.5	33		1140	1600	86	6.8		6.6
		15390	4275.0	29		1346		90			
		18468	5130.0	23		1389		85			
		10206	2835.0	30		981		85			
		14580	4050.0	26		1157		89			
		17496	4860.0	21		1195		84			
CPS1200-1080M/12	A	10080	2800.0	35	495	1118	1400	86	6.5	17600	
		14400	4000.0	30		1308		90			
		17280	4800.0	24		1330		85			
	B	9576	2660.0	32		970	1250	85	6.3		6.1
		13680	3800.0	27		1134		89			
		16416	4560.0	22		1153		84			
		9072	2520.0	28		834		84			
		12960	3600.0	24		975		88			
		15552	4320.0	19		993		83			
CPS1200-1150/12	A	11340	3150.0	45	495	1636	2240	85	7.4	19000	
		16200	4500.0	40		1940		91			
		19440	5400.0	33		2081		84			
	B	10886	3024.0	41		1465	2000	84	7.2		7.0
		15552	4320.0	37		1736		90			
		18662	5184.0	30		1863		83			
		10433	2898.0	38		1305		83			
		14904	4140.0	34		1545		89			
		17885	4968.0	28		1660		82			
C	9979	2772.0	35	1156	1800	82	6.8	6.1			
	14256	3960.0	31	1367		88					
	17107	4752.0	26	1471		81					
	10080	2800.0	42	1373		84					
	14400	4000.0	37	1613		90					
	17280	4800.0	31	1759		83					
CPS1200-1150M/12	A	9677	2688.0	39	495	1230	1600	83	6.5	19000	
		13824	3840.0	34		1443		89			
		16589	4608.0	29		1575		82			
	B	9274	2576.0	36		1096	1600	82	6.3		6.1
		13248	3680.0	31		1285		88			
		15898	4416.0	26		1403		81			
		8870	2464.0	33		971		81			
		12672	3520.0	29		1137		87			
		15206	4224.0	24		1243		80			
CPS1200-1360/12	A	11340	3150.0	66	495	2372	3150	86	7.2	20500	
		16200	4500.0	58		2814		91			
		19440	5400.0	47		2929		85			
	B	10886	3024.0	61		2123	2800	85	7.0		6.8
		15552	4320.0	53		2517		90			
		18662	5184.0	43		2622		84			
		10433	2898.0	56		1891		84			
		14904	4140.0	49		2240		89			
		17885	4968.0	40		2336		83			
C	9979	2772.0	51	1675	2500	83	6.8	6.6			
	14256	3960.0	45	1983		88					
	17107	4752.0	36	2069		82					

APK PUMP

参数(Para.) 型号(Type)		流量(Q) Capacity		扬程(H) Head (m)	转速(n) Speed (r/min)	轴功率 (Pa) Shaft (kW)	电机功 率Motor (kW)	效率 Eff. (%)	必需汽 蚀余量 NPSHr (m)	泵重 Pump Weight (kg)			
		(m³/h)	(l/s)										
CPS1200-1360M/12	A	10080	2800.0	62	495	2004	2500	85	6.5	20500			
		14400	4000.0	54		2354		90					
		17280	4800.0	43		2410		84					
		9677	2688.0	57		1794		84					
		13824	3840.0	50		2106		89					
		16589	4608.0	40		2158		83					
	B	9274	2576.0	52		1598	2240	83	6.1		6.0		
		13248	3680.0	46		1875		88					
		15898	4416.0	36		1923		82					
		8870	2464.0	48		1415		82					
		12672	3520.0	42		1660		87					
		15206	4224.0	33		1703		81					
CPS1400-1150/14	A	15624	4340.0	29	425	1436	1800	86	7.5	26500			
		22320	6200.0	22		1470		91					
		26784	7440.0	18		1546		85					
		14994	4165.0	27		1284		85					
		21420	5950.0	20		1314		90					
		25704	7140.0	17		1382		84					
	B	14364	3990.0	25		1142	1400	84	7.1		7.3		
		20520	5700.0	19		1168		89					
		24624	6840.0	15		1230		83					
		13608	3780.0	26		1134		85					
		19440	5400.0	20		1177		90					
		23328	6480.0	16		1211		84					
CPS1400-1150M/14	A	13104	3640.0	24	425	1025	1250	84	6.8	26500			
		18720	5200.0	19		1063		89					
		22464	6240.0	15		1094		83					
	B	12524	3479.0	22		906	1120	83			6.5	7.0	
		17892	4970.0	17		939		88					
		21470	5964.0	14		967		82					
CPS1400-1280/14	A	15624	4340.0	38	425	1860	2500	87	7.2	25000			
		22320	6200.0	33		2182		92					
		26784	7440.0	27		2291		86					
		14843	4123.0	34		1613		86					
		21204	5890.0	30		1891		91					
		25445	7068.0	24		1988		85					
	B	14062	3906.0	31		1388	1800	85	6.8		7.0		
		20088	5580.0	27		1626		90					
		24106	6696.0	22		1710		84					
		13608	3780.0	35		1509		86					
		19440	5400.0	30		1746		91					
		23328	6480.0	24		1795		85					
CPS1400-1280M/14	A	12928	3591.0	32	425	1309	1800	85	6.5	25000			
		18468	5130.0	27		1514		90					
		22162	6156.0	22		1557		84					
	B	12247	3402.0	28		1126		1600			84	6.3	6.8
		17496	4860.0	24		1302					89		
		20995	5832.0	19		1340					83		

APK PUMP

参数(Para.) 型号(Type)		流量(Q) Capacity		扬程(H) Head (m)	转速(n) Speed (r/min)	轴功率 (Pa) Shaft (kW)	电机功 率Motor (kW)	效率 Eff. (%)	必需汽 蚀余量 NPSHr (m)	泵重 Pump Weight (kg)			
		(m³/h)	(l/s)										
CPS1400-1360/14	A	15624	4340.0	47	425	2327	3150	86	7.2	27500			
		22320	6200.0	43		2843		92					
		26784	7440.0	36		3020		87					
		14994	4165	43		2081	85						
		21420	5950	40		2540	91						
		25704	7140	33		2700	86						
	B	14364	3990	40		1851	2500	84	6.8				
		20520	5700	36		2258		90					
		24624	6840	30		2402		85					
	C	13734	3815	36		1638	2240	83	6.6				
		19620	5450	33		1996		89					
		23544	6540	28		2125		84					
CPS1400-1360M/14	A	13608	3780.0	43	425	1876	2500	85	6.5	27500			
		19440	5400.0	39		2270		91					
		23328	6480.0	33		2439		86					
		13104	3640	40		1695	84						
		18720	5200	36		2050	90						
	B	22464	6240	31		2204	2000	85	6.1				
		12524	3479	36		1498		83					
		17892	4970	33		1810		89					
	C	21470	5964	28		1947	1800	84	6.0				
		11970	3325	33		1323		82					
		17100	4750	30		1598		88					
	CPS1600-1280/16	A	20520	5700		26	370	1720	2000		83	7.3	33000
			20916	5810.0		28		1878			85		
			29880	8300.0		22		1947			92		
			35856	9960.0		18		2094	84				
20160			5600.0	26	1701	84							
28800			8000.0	20	1763	91							
B		34560	9600.0	17	1897	1800		83	7.1				
		19253	5348.0	24	1500			83					
		27504	7640.0	19	1552			90					
CPS1600-1280M/16		A	33005	9168.0	15	370		1673	1600	82	6.8	33000	
			18144	5040.0	25			1472		84			
			25920	7200.0	20			1552		91			
	B	31104	8640.0	16	1634		1400	83	6.5				
		17426	4840.5	23	1319			83					
		24894	6915.0	18	1390			90					
	C	29873	8298.0	15	1465		2500	82	7.1				
		16695	4637.5	21	1174			82					
		23850	6625.0	17	1237			89					
CPS1600-1490/16	A	28620	7950.0	14	370	1304	2800	81	7.5	34000			
		20916	5810.0	39		2585		86					
		29880	8300.0	33		2921		92					
		35856	9960.0	27		3104	85						
		19883	5523.0	35		2246	85						
		28404	7890.0	30		2536	91						
	B	34085	9468.0	24		2698	2500	84	7.1				
		18824	5229.0	32		1929		84					
		26892	7470.0	27		2176		90					
		32270	8964.0	22		2317		83					

APK PUMP

参数(Para.) 型号(Type)		流量(Q) Capacity		扬程(H) Head (m)	转速(n) Speed (r/min)	轴功率 (Pa) Shaft (kW)	电机功 率Motor (kW)	效率 Eff. (%)	必需汽 蚀余量 NPSHr (m)	泵重 Pump Weight (kg)			
		(m³/h)	(l/s)										
CPS1600-1490M/16	A	18144	5040.0	35	370	2036	2500	85	7.0	34000			
		25920	7200.0	30		2329		91					
		31104	8640.0	24		2422		84					
		17237	4788.0	32		1766	84						
		24624	6840.0	27		2019	90						
		29549	8208.0	22		2101	83						
	B	16330	4536.0	28		1520	2000	83	6.6				
		23328	6480.0	24		1736		89					
		27994	7776.0	19		1808		82					
	CPS1600-1560/16	A	20916	5810.0		46	370	3049	4000		86	7.4	36000
			29880	8300.0		41		3629			92		
			35856	9960.0		34		3908			85		
20160			5600.0	43	2762	85							
28800			8000.0	38	3285	91							
B		34560	9600.0	32	3541	3150		84	7.0				
		19253	5348.0	39	2434			84					
		27504	7640.0	35	2893			90					
C		33005	9168.0	29	3122	2800		83	6.8				
		18396	5110.0	36	2149			83					
		26280	7300.0	32	2552			89					
CPS1600-1560M/16		A	31536	8760.0	26	370		2756	2500	82	6.5	36000	
			18144	5040.0	42			2443		85			
			25920	7200.0	37			2872		91			
			31104	8640.0	31			3128	84				
	17426		4840.5	39	2190		84						
	24894		6915.0	34	2572		90						
	B	29873	8298.0	29	2804		2240	83	6.3				
		16695	4637.5	36	1949			83					
		23850	6625.0	31	2288			89					
	C	28620	7950.0	26	2496		2000	82	6.0				
		15977	4438.0	33	1729			82					
		22824	6340.0	29	2028			88					
	27389	7608.0	24	2215		81							

参数(Para.) 型号(Type)	流量(Q) Capacity		扬程(H) Head	转速(n) Speed	轴功率(Pa) Shaft Power	电机功率 Motor	效率 Eff.	必需汽余量 NPSHr	泵重 Pump Weight			
	(m³/h)	(l/s)	(m)	(r/min)	(kW)	(kW)	(%)	(m)	(kg)			
CPS-X 150-250/2	A	148	41.1	90.2	2950	50.5	90	72	210			
		288	80	75		70.9		83				
		346	96	67		78.4		80.5				
	B	120	33.3	78.7		36.3	75	71		6.8		
		274	76	63		58.3		80.5				
		328	91.2	55		62.3		79				
	C	108	30	67.5		32	55	62		6.6		
		261	72.5	52		46.8		79				
		313	87	45		49.9		77				
	CPS-X 150-250/4	A	90	25		57.2	1480	24.2		11	210	
			234	65		45		36.8				78
			290	80.6		37		39.2				74.5
B		76	21.1	22.5	6.4	7.5		73	2.4			
		144	40	18.8	8.9			83				
		173	48.1	17.5	10			81.7				
C		71	19.7	19.4	5.2	5.5		72	2.1			
		140	38.8	15.8	7.3			82.5				
		167	46.5	13.6	7.8			79.8				
CPS-X 150-250M/2		A	65	18.1	16.4	2950		4.1	75	7.2		
			126	35	13.5			5.9				79
			150	41.7	11.9			6.2				78.6
	B	60	16.7	14.1	3.3		55	70	7			
		120	33.3	11.2	4.7			77.5				
		145	40.2	9.5	5			75.5				
	C	115	31.9	84.8	38		45	70	6.8			
		245	68	68	55.6			81.5				
		294	81.6	59	59.8			79				
	CPS-X 150-250M/4	A	107	29.7	73.2		1480	30.9	11		1.8	
			223	62	59			44.7				79.5
			268	74.4	51			47.9				77
B		99	27.5	63	24.8	7.5		68.5	1.7			
		205	57	51	36.8			77.5				
		246	68.4	44	38.8			76				
C		90	25	53.1	19.4	5.5		67	1.5			
		190	52.8	43	29.3			76				
		227	63	38	31.1			75.5				

参数(Para.) 型号(Type)	流量(Q) Capacity		扬程(H) Head	转速(n) Speed	轴功率(Pa) Shaft Power	电机功率 Motor	效率 Eff.	必需汽余量 NPSHr	泵重 Pump Weight			
	(m³/h)	(l/s)	(m)	(r/min)	(kW)	(kW)	(%)	(m)	(kg)			
CPS-X 150-310/2	A	215	59.7	146	2950	116	185	74	225			
		360	100	123		151		80				
		440	122.2	108		168		77.2				
	B	200	55.3	125		93.3	160	73		8.7		
		335	93	106		121.4		79.6				
		402	111.7	92		131		76.8				
	C	184	51.1	107		74.5	132	72		7.4		
		302	83.9	90		93.5		79.3				
		360	100	78.4		101		76.3				
	CPS-X 150-310/4	A	168	46.7		89	1480	57.4		90	2.5	
			227	77		74		70.7				78.3
			333	92.4		65.5		78.5				75.6
B		108	30	36.2	14.4	22		74.2	2.8			
		185	51.4	31	19.6			80				
		222	61.7	26.2	20.5			77.2				
C		100	27.8	31.1	11.5	22		73.8	2.2			
		166	46.1	27	15.3			79.6				
		200	55.6	22.8	16.1			77				
CPS-X 150-310M/2		A	92	25.6	26.1	2950		9.2	18.5	8.8		
			151	41.9	22.5			11.7				79.3
			180	50	19.8			12.8				76
	B	84	23.3	22.1	7		15	72	8			
		140	38.9	18	8.7			78.5				
		162	44.9	16.2	9.4			75.8				
	C	153	42.5	139	80.5		160	72	8.6			
		283	78.5	119	117			78				
		340	94.4	105	129			75.5				
	CPS-X 150-310M/4	A	140	38.9	119		1480	63.9	132		2.7	
			260	72.2	103			93.7				77.6
			310	86.1	90			101				75.4
B		130	36.1	102	50.9	90		71	8.4			
		250	69.3	84	73.8			77.3				
		300	83.3	74	80.5			75				
C		120	33.3	85.1	39.8	75		70	2.4			
		234	65	69	57.1			77				
		281	78.1	59.4	61.2			74.4				

参数(Para.) 型号(Type)	流量(Q) Capacity		扬程(H) Head	转速(n) Speed	轴功率(Pa) Shaft Power	电机功率 Motor	效率 Eff.	必需汽余量 NPSHr	泵重 Pump Weight	
	(m³/h)	(l/s)	(m)	(r/min)	(kW)	(kW)	(%)	(m)	(kg)	
CPS-X 150-375/4	A	95	26.4	61.8	25	45	64	3	245	
		185	51.4	51	33.5		76.5			
		220	61.1	44.2	35.9		73.8			
	B	88	24.4	53	20.2	37	63	2.8		
		167	46.4	46	28.3		74			
		200	55.6	38	29		71.3			
	C	83	23.1	46.7	16.8	30	63	2.7		
		155	43.1	38	22.3		72			
		186	51.7	31	22.8		68.8			
	CPS-X 150-375M/4	A	86	23.9	59.4	22.5	45	62		3.6
			162	45	52	31.9		72		
			198	55	45.8	36.6		67.5		
B		80	22.2	51	17.9	30	62	3.4		
		142	39.4	44	24.7		69			
		170	47.2	38.5	27		66			
C		75	20.8	45	15.1	30	61	3.2		
		130	36.1	37.5	18.8		66.5			
		157	43.6	32.5	21.7		64			
CPS-X 200-230/2		A	315	87.5	75.2	86.1	132	75	7.5	
			540	150	60	103		85.5		
			639	177.6	50	105		82.8		
	B	290	80.6	65	69.4	110	74	7.2		
		490	136.1	52	82.1		84			
		585	163.2	43.5	84.4		82.5			
	C	270	75	55.1	55.5	75	73	6.9		
		454	126	43.5	65.1		82			
		540	150	35	66		78			
	CPS-X 200-230/4	A	147	40.8	19.1	10.4	18.5	73.8	1.9	
			274	76.1	14.8	12.9		85.5		
			328	91.1	12	13.1		82		
B		137	38.1	16.8	9	15	70	1.8		
		241	66.9	13.2	10.3		84.5			
		290	80.5	10.8	10.4		82			
C		126	35	14.5	7.5	15	66	1.7		
		230	63.9	10.6	8.1		82.5			
		277	76.9	8.5	8.2		77.8			
CPS-X 200-230/4		A	115	31.9	11.8	6.2	11	60	1.6	
			209	58.1	8.7	6.4		77.5		
			250	69.4	6.8	6.2		74.7		

参数(Para.) 型号(Type)	流量(Q) Capacity		扬程(H) Head	转速(n) Speed	轴功率(Pa) Shaft Power	电机功率 Motor	效率 Eff.	必需汽余量 NPSHr	泵重 Pump Weight
	(m³/h)	(l/s)	(m)	(r/min)	(kW)	(kW)	(%)	(m)	(kg)
CPS-X 200-230M/2	A	288	80	75	28.8	110	76	8.4	
		468	130	61	92		84.5		
		566	157.2	55	102		83.6		
	B	268	74.4	64.9	26.8	90	75	8.2	
		436	121	53	74.8		84		
		523	145.2	44	77.2		81.2		
	C	246	68.3	55	24.6	75	74	8.1	
		410	114	45	61.3		82		
		493	136.7	37	63.3		78.4		
	CPS-X 200-230M/4	A	137	38.1	19.1	9.6	15	74	2.8
			238	66.1	15.1	11.6		84.5	
			307	85.3	11.5	12		80	
B		127	35.3	16.5	7.8	15	73	2.7	
		212	58.9	13.5	9.3		84		
		255	70.8	11.4	9.7		82		
C		117	32.5	14	6.2	11	72	2.6	
		205	56.9	11.5	7.8		82		
		246	68.4	9.2	7.9		78		
CPS-X 200-300/2		A	380	105.6	120	155	220	80	8.8
			535	148.5	108	187		84	
			642	178.3	95	202		82.3	
	B	348	96.7	100	120	160	79	8.2	
		497	138	88	145		82		
		596	165.6	75	153		79.5		
	C	320	88.9	84.5	97	132	76	8	
		454	126	72	111		80		
		540	150	62	116		78.8		
	CPS-X 200-300/4	A	139	38.6	32	16.4	30	74	1.9
			270	75	27	23.6		84	
			323	89.7	23.3	25.2		81.4	
B		127	35.3	27	13	22	72	1.8	
		243	67.5	22	17.8		82		
		292	81.1	19.6	19.5		80		
C		117	32.5	22.6	10.4	18.5	70	1.7	
		223	61.9	18	13.7		80		
		268	74.4	15.5	14.4		78.3		
CPS-X 200-300/4		A	107	29.7	11.8	4.8	110	72	1.6
			193	54.2	9.1	6.2		78	
			223	61.9	7.7	6.3		74	
	B	107	29.7	11.8	4.8	15	72	1.6	
		193	54.2	9.1	6.2		78		
		223	61.9	7.7	6.3		74		

参数(Para.)		流量(Q)		扬程(H)	转速(n)	轴功率(Pa)	电机功率	效率	必需汽余量	泵重			
型号(Type)		(m³/h)	(l/s)	(m)	(r/min)	(kW)	(kW)	(%)	(m)	(kg)			
CPS-X 200-300M/2	A	270	75	123	2950	122.3	200	74	8.2	275			
		480	133.3	100		157							
		576	160	85.5		166							
	B	245	68.1	102		93.3	160	73	7.8				
		436	121	83.5		122							
		523	145.2	70		126							
	C	228	63.3	83.5		72.1	110	72	7.6				
		385	107	70		93							
		462	128.3	60		97							
	CPS-X 200-300M/4	A	208	57.8		67.5	1480	53.9	90		71	7.4	275
			342	95		55		67.4					
			410	114		47		71					
B		134	37.2	30.5	15.1	30		74	2.5				
		241	66.9	25	19.8								
		290	80.6	21.3	20.6								
C		120	33.3	25.6	11.6	18.5		72	2.4				
		218	60.6	21	15.2								
		261	72.5	17.5	16								
CPS-X 200-365/4		A	110	30.6	21.2	1480		8.8	15	72	2.3	300	
			196	54.4	17.5			11.8					
			234	65	14.8			12.3					
	B	100	27.8	16.7	6.4		11	71	2.2				
		173	48.1	13.7	8.5								
		207	57.5	11.3	8.6								
	CPS-X 200-365/4	A	167	46.4	52		1480	32	75	74	3		300
			310	86	47			47.2					
			360	100	43.8			52.3					
		B	153	42.5	44			25.5	45	72	2.9		
			281	78	39			36					
			337	93.6	35.6			40.4					
C		140	38.9	35.9	19.3	37		71	2.8				
		256	71	31.5	26.8								
		307	85.2	28.2	29.8								
CPS-X 200-365M/4		A	125	34.7	36.2	1480		17.6	30	70	2.7	300	
			230	64	24			18.8					
			278	76.8	20.9			20.6					
	B	154	42.8	48.6	27.9		55	73	2.3				
		277	77	43	40.1								
		333	92.4	38.8	44								
	C	140	38.9	42.1	20.6		45	72	2.2				
		252	70	37	31.8								
		302	84	32.8	34.2								
	CPS-X 200-290M/4	A	128	35.6	34.8		1480	17.1	30	71	2.1		300
			227	63	30.5			24.5					
			272	75.6	27.5			26.8					
B		115	31.9	28.1	12.6	22		70	2				
		198	55	24.5	17.4								
		238	66	21.8	18.8								

参数(Para.)		流量(Q)		扬程(H)	转速(n)	轴功率(Pa)	电机功率	效率	必需汽余量	泵重			
型号(Type)		(m³/h)	(l/s)	(m)	(r/min)	(kW)	(kW)	(%)	(m)	(kg)			
CPS-X 200-500/4	A	180	50	84.4	1480	55.9	110	74	2.4	335			
		330	92	76		83.3							
		396	110	70		96.6							
	B	168	46.7	73.1		45.8	90	73	2.2				
		292	81	66.5		67.3							
		342	95	62		74.8							
	C	155	43.1	62.3		36.5	75	72	2				
		256	71	56		50.6							
		307	85.2	51.5		56.6							
	CPS-X 200-500M/4	A	143	39.7		52.6	1480	29.3	55		70	1.8	335
			230	64		47		38.8					
			252	70		44.3		41.6					
B		160	44.4	79	47.8	90		72	2.5				
		293	81.5	69.5	69.5								
		352	97.8	63	78.5								
C		150	41.7	68.3	39.3	75		71	2.3				
		272	75.5	60.5	57.5								
		326	90.6	55	64.3								
CPS-X 200-290/4		A	138	38.3	59.1	1480		31.7	55	70	2.1	335	
			227	63	53			42.5					
			272	75.6	48.3			47.3					
	B	128	35.6	50	25.3		45	69	2				
		202	56	45	32.5								
		234	65	40	34.5								
	CPS-X 200-290M/4	A	260	72.2	26.8		1480	25	37	76	2.5		350
			443	123	21			29.5					
			531	147.5	17.5			30.9					
		B	240	66.7	23.2			20.2	30	75	2.4		
			403	112	18.4			23.7					
			484	134.4	15.4			24.7					
C		220	61.1	19.4	15.7	22		74	2.3				
		378	105	15	18.7								
		454	126	12.3	19.1								
CPS-X 200-290M/4		A	204	56.7	16.2	1480		12.5	18.5	72	2.2	350	
			350	97.2	11.5			14.2					
			396	110	9.8			13.9					
	B	234	65	25.5	21.4		30	76	2.5				
		396	110	20.2	25.3								
		475	132	16.6	25.7								
	C	218	60.6	22.4	18		30	74	2.4				
		378	105	17	20.6								
		454	126	14	21.2								
	CPS-X 200-290M/4	A	200	55.6	19.4		1480	16.3	22	73	2.3		350
			353	98	14.5			16.7					
			432	117.5	11.3			16.5					
B		184	51.1	16.3	11.5	18.5		71	2.2				
		331	92	11.6	13.1								
		378	105	9.6	13								

参数(Para.)		流量(Q)		扬程(H)	转速(n)	轴功率(Pa)	电机功率	效率	必需汽余量	泵重			
型号(Type)		Capacity	Capacity	Head	Speed	Shaft Power	Motor	Eff.	NPSHr	Pump Weight			
		(m³/h)	(l/s)	(m)	(r/min)	(kW)	(kW)	(%)	(m)	(kg)			
CPS-X 200-360/4	A	245	68.1	44.5	1480	39.1	75	76	2.5	360			
		446	124	38		54.3		85					
		525	146	34		58.9		82.7					
	B	225	62.5	37.4		31	74	55	83		2.4		
		403	112	31		41	80.8						
		484	134.4	26.3		42.9	73						
	C	206	57.2	32.1		24.7	71	45	81		2.3		
		370	102.8	25		31.2	78.8						
		445	123.6	21		18.9	72						
	A	189	52.5	26.4		23.1	78	37	77		2.2		
		331	92	20		22.7	74						
		396	110	16.2		35.7	84		55			81	2.5
	B	225	62.5	43.1		46.2	82	45			82	2.3	
		407	113	35		49.3	72						
		488	135.6	30		28.2	82		37		80		2.1
C	206	57.2	36.2	36	71	30	76	2					
	367	102	29.5	37.5	70								
	440	122.2	25	22.3	76								
CPS-X 200-360M/4	A	190	52.8	30.6	1480	16.7	80	70	3.5	440			
		334	92.8	25		28.5		78					
		400	111.1	21.3		29.8		78					
	B	175	48.6	24.5		16.7	70	110	81		3.3		
		292	81.1	20.5		20.9	77.6						
		350	97.2	17.5		22	70						
	C	282	78.3	74.8		79.8	72	75	80		3.2		
		515	143.1	66		113	82						
		612	170	59.6		125	79.5						
	A	258	71.7	62.4		61.8	71	55	78.5		3		
		472	131.1	54.5		86.4	81						
		566	157.2	47.8		95	70						
	B	235	65.3	51.6		47.2	70	90	69.5		3.3		
		432	120	43.5		64	80						
		516	143.3	37		69.7	75						
C	210	58.3	42.1	35.4	68	75	78.5	3					
	396	110	35	48.1	72								
	475	132	28.2	50.7	72								
CPS-X 200-460/4	A	223	61.9	70	1480	60.8	110	70	3.5	440			
		440	122.2	60		88.6		81					
		527	146.4	53.5		97.6		78.7					
	B	204	56.7	58.2		46.9	69	90	60.5		3.3		
		396	110	50		67	80.5						
		484	134.4	44.5		75.2	78						
	C	185	51.4	48.2		36.3	67	75	80		3.1		
		375	104	40		51	74						
		450	125	34.5		57.1	74						
	A	166	46.1	38.6		26.9	65	45	78		2.8		
		324	90	33		37.3	72						
		390	108	28.4		41.9	72						

参数(Para.)		流量(Q)		扬程(H)	转速(n)	轴功率(Pa)	电机功率	效率	必需汽余量	泵重				
型号(Type)		Capacity	Capacity	Head	Speed	Shaft Power	Motor	Eff.	NPSHr	Pump Weight				
		(m³/h)	(l/s)	(m)	(r/min)	(kW)	(kW)	(%)	(m)	(kg)				
CPS-X 200-605/4	A	297	82.5	117	1480	135	250	70	3.8	650				
		583	161.9	105		206		81						
		700	194.4	95.5		233		78						
	B	277	76.9	103		113	69	200	79.5		3.6			
		550	152.7	88.5		167	74							
		648	180	81		188	76.3							
	C	258	71.7	88		91	68	160	78		3.4			
		515	143	75		135	74							
		605	168	68		151	67							
	A	238	66.1	74.8		72.4	67	132	77		3.2			
		472	131.1	61.5		103	72							
		526	146.1	55.2		110	72							
	CPS-X 200-605M/4	A	295	81.9		106	1480	118	200		72	4.6	650	
			536	148.9		90		166			79			
			617	171.4		82		182			76			
B		276	76.7	93	98.5	71		160	78	4.3				
		490	136.1	78	133	74.2								
		576	160	70	148	70								
C		256	71.1	80.4	80.1	70		132	77	4				
		446	124	68.5	108	74								
		535	148.8	60	118	68								
CPS-X 250-320/4		A	425	118	37.2	1480		55.2	75	78	3.8	450		
			690	192	30			64.8		87				
			834	231.7	25			67.2		84.5				
		B	395	109.7	32.6			46.2	76	55	85			3.4
			648	180	25.5			52	86.5					
			778	216	21.3			54	83.5					
	C	364	101.1	28	37		75	37	79	3.2				
		601	167	21.3	41		80							
		720	200	17.2	42.3		74							
	CPS-X 250-320M/4	A	334	92.8	22.5		1480	26.7	75	74	3.1		450	
			550	152.8	17			32.3		86.5				
			612	170	15.3			32.9		84				
		B	375	104.2	34.6			45.3	78	55	86.5			2.9
			637	176.9	28			56.2	86					
			765	212.5	23.4			58	84					
C		348	96.7	31.4	39.2	76		45	82.9	2.7				
		594	165	24.5	46.1	84								
		713	198	20	46.9	81.8								
A		320	88.9	27.2	32.1	74		37	82	2.6				
		558	155	21	38	73								
		670	186	17.2	38.4	78								
B		295	81.9	22.5	24.8	73		45	82	2.6				
		515	143.1	17	29.1	78								
		595	165.3	14.2	29.5	78								

型号(Type)	流量(Q) Capacity		扬程(H) Head (m)	转速(n) Speed (r/min)	轴功率(Pa) Shaft Power (kW)	电机功率 Motor (kW)	效率 Eff. (%)	必需汽余量 NPSHr (m)	泵重 Pump Weight (kg)		
	(m³/h)	(l/s)									
CPS-X 250-420/4	A	428	119	60	89.7	160	78	3.9	520		
		709	197	52	117		86				
		850	236.1	47	129		84.5				
	B	390	108.3	51	71.3	110	76	3.7			
		630	175	42.5	86.3		84.5				
		756	210	37.5	93.1		83				
	C	360	100	42.8	56.7	90	74	3.4			
		572	159	35.5	66.7		83				
		687	190.8	30	68.8		81.6				
		330	91.7	35.3	43.5		73			75	3.2
		511	142	27.5	49		81				
		613	170	24	50.1		80				
CPS-X 250-420M/4	A	365	101.4	58.3	76.3	132	76	3.2	520		
		648	180	48	98.6		86				
		778	216	42	107		83.5				
	B	335	93.1	49.4	61.8	90	73	3.1			
		583	162	40.5	76.6		84				
		700	195	35	81.7		82				
	C	308	85.6	42	49.6	75	71	3			
		530	147	34.5	60.6		82				
		635	176	29	62.6		80.2				
		280	77.8	34.3	37.4		70			55	2.8
		468	130	28	44.9		79.5				
		562	156	24	47.7		77				
CPS-X300-370/4	A	620	172.2	47.7	106	160	76	4.6	670		
		1051	292	39	127		88				
		1260	350	33.5	137		84				
	B	575	159.7	42	88.9	132	74	4.5			
		994	276.1	33	104		86				
		1192	331.2	27.7	109		82.3				
	C	530	147.2	35.4	71	110	72	4.4			
		943	261.9	27	83.6		83				
		1131	314.4	21	83.6		77.5				
		487	135.3	29.4	55.7		70			75	4.3
		871	242	20	61.2		77.5				
		1008	280	16	58.6		75				
CPS-X300-370M/4	A	585	162.5	46.8	98.2	160	76	4	670		
		1029	286	37	119		87				
		1235	343	31	124		84.3				
	B	544	151.1	41	82.1	132	74	3.9			
		968	268.9	32	98.1		86				
		1162	322.8	27	104		82.5				
	C	500	138.9	36	67.2	110	73	3.8			
		914	253.9	27	80		84				
		1097	304.8	22	82.2		80				
		460	127.8	30.4	53.7		71			75	3.7
		850	236.1	22	62.1		82				
		1020	283.3	17	62.2		76				

型号(Type)	流量(Q) Capacity		扬程(H) Head (m)	转速(n) Speed (r/min)	轴功率(Pa) Shaft Power (kW)	电机功率 Motor (kW)	效率 Eff. (%)	必需汽余量 NPSHr (m)	泵重 Pump Weight (kg)		
	(m³/h)	(l/s)									
CPS-X 300-480/4	A	648	180	79.5	182	315	77	3.9	830		
		1173	326	66	239		88				
		1440	400	57.2	263		85.4				
	B	594	165	66.2	143	280	75	3.8			
		1080	300	55	188		86				
		1296	360	47.5	202		83				
	C	546	151.7	55.8	114	200	73	3.7			
		1000	278	45.5	149		83				
		1200	333.6	38	160		77.6				
		500	138.9	47.4	89.7		72			160	3.6
		929	258	37.5	119		80				
		1115	309.6	32	126		77				
CPS-X 300-480M/4	A	520	144.4	71.9	138	220	74	3.6	830		
		1044	290	55.5	185		85.5				
		1296	360	45.3	195		82				
	B	476	132.2	61.7	111	200	72	3.4			
		976	271	47	149		84				
		1156	321.1	40	156		81				
	C	438	121.7	52.4	88	160	71	3.2			
		886	246.1	40	118		82				
		1063	295.2	34	126		78				
		400	111.1	45.1	70.2		70			132	3
		803	223	34.5	96.1		78.5				
		963	267.5	28.5	98.4		76				
CPS-X 300-600/4	A	800	222.2	130	361	560	78.6	4	1220		
		1242	345	116	467		84				
		1490	413.9	105	520		82				
	B	750	208.3	115	306	450	76.8	3.7			
		1152	320	100	376		83.5				
		1400	388.9	90	421		81.5				
	C	700	194.4	95	238	355	76	3.4			
		1080	300	83	294		83				
		1296	360	73.5	320		81				
		650	180.6	78	182		75.8			280	3.1
		1000	277.8	66	218		82.5				
		1170	325	60	238		80.5				
CPS-X 300-600M/4	A	540	150	123	251	450	72	3.9	1220		
		1080	300	103	365		83				
		1253	348	91.5	381		82				
	B	500	138.9	106	203	355	71	3.5			
		965	268.1	90	287		82.5				
		1158	321.6	80	311		81.3				
	C	460	127.8	90.4	164	250	69	3.1			
		875	243.1	74.5	218		81.5				
		1050	291.7	66	235		80.3				
		420	116.7	67.5	126		68			200	2.8
		800	222.2	62	168		80.5				
		960	266.7	56.5	186		79.5				

参数(Para.)		流量(Q) Capacity		扬程(H) Head	转速(n) Speed	轴功率(Pa) Shaft Power	电机功率 Motor	效率 Eff.	必需汽余量 NPSHr	泵重 Pump Weight				
型号(Type)		(m³/h)	(l/s)	(m)	(r/min)	(kW)	(kW)	(%)	(m)	(kg)				
CPS-X 350-300/4	A	684	190	31.2	1480	78.6	110	74	4.8	630				
		1098	305	24.5		84.7		86.5						
		1318	366	20		87.1		82.4						
	B	638	177.2	7.4		66.2	72	90	84.5		4.6			
		1044	290	19.8		66.6	81							
		1253	348	15		63.2	81							
	C	595	165.3	22.6		50.9	72	75	82		4.4			
		1008	280	15.5		51.9	78							
		1210	336	11.4		48.2	78							
	CPS-X 350-300M/4	A	540	150		18.8	1480	39	45		71	4.2	630	
			965	268		11.5		38.8			78			
			1158	322		7.5		32			74			
		B	560	155.6		29.4		60.6	74		90	85		3.6
			936	260		23		69	85					
			1152	320		17.8		68.2	82					
C		520	144.4	26.2	51.6	72		75	83.4	3.5				
		864	240	20	56.5	81								
		1037	288	15.8	55.1	81								
CPS-X 400-435/4	A	487	135.3	22.4	1480	41.3	55	72	3.4	630				
		800	222	16.9		45.5		81						
		960	267	13.5		44.8		79						
	B	440	122.2	19.2		32.4	71	45	77		3.3			
		700	194	15		37.1	76							
		840	233	12		36.1	76							
	CPS-X 400-435M/4	A	1000	278		64.2	1480	224	315		78	4.3	910	
			1677	466		53		275			89			
			2012	559		46		295			85.5			
B		930	258.3	56.8	189	76		280	86.5	4.2				
		1577	438	45	223	84								
		1892	526	37.5	230	84								
C		858	238.3	47.2	147	75		200	84	4.1				
		1476	410	36.5	175	80								
		1771	492	28.5	172	80								
CPS-X 400-435M/4		A	786	218.3	39.2	1480		113	160	74	4	910		
			1360	378	27.5			129		79				
			1530	425	23.5			127		77.3				
		B	920	255.6	64.8			214	76	315	88			6
			1620	450	51.5			260	88					
			1944	540	43.5			273	84.5					
	C	855	237.5	56.2	177		74	250	86.5	5.7				
		1519	422	45	215		84							
		1823	506	37.5	222		84							
CPS-X 400-510/4	A	790	219.4	48.2	1480	142	220	73	5.4	910				
		1422	395	37.5		173		84						
		1706	474	30		174		80						
	B	724	201.1	40		111	71	160	81.2		5.2			
		1332	370	30		134	77.5							
		1598	444	24.5		138	77.5							

参数(Para.)		流量(Q) Capacity		扬程(H) Head	转速(n) Speed	轴功率(Pa) Shaft Power	电机功率 Motor	效率 Eff.	必需汽余量 NPSHr	泵重 Pump Weight				
型号(Type)		(m³/h)	(l/s)	(m)	(r/min)	(kW)	(kW)	(%)	(m)	(kg)				
CPS-X 400-360/4	A	1100	305.6	41.6	1480	113	200	74	6.6	870				
		1728	480	32		175		86						
		2088	580	25		173		82.3						
	B	1030	286.1	36		138	73	160	84.8		6.5			
		1692	470	26.5		144	80							
		2030	564	20		138	80							
	C	950	263.9	31.2		112	72	132	82.4		6.4			
		1641	456	21		114	76.7							
		1969	547	15		105	71							
	CPS-X 400-360M/4	A	890	247.2		25.4	1480	87	110		80	6.3	870	
			1602	445		15		81.8			73			
			1922	534		9		64.6			73			
		B	864	240		38.6		123	74		160	85		5.8
			1440	400		30.5		141	85					
			1706	474		25.8		144	83.3					
C		810	225	34	103	73		132	84	5.6				
		1335	371	26.3	114	81								
		1602	445	21.3	115	81								
CPS-X 400-510M/4	A	750	208.3	29.2	1480	83	110	72	5.4	870				
		1270	353	22.5		95		82						
		1524	423	17.5		93		78						
	B	715	198.6	24.8		68	71	90	78		5.2			
		1188	330	17.8		74	74							
		1397	388	13.7		71	74							
	CPS-X 400-510/4	A	1620	450		85	1480	481	710		78	6.5	1400	
			2610	725		70		569			87.5			
			3132	870		60		605			84.7			
B		1500	416.7	74.2	394	77		560	87	6.4				
		2430	675	60	456	83.5								
		2916	810	50	476	76								
C		1390	386.1	63.6	317	76		450	85	6.3				
		2232	620	50	358	81								
		2700	750	40	364	75								
CPS-X 400-510M/4		A	1280	355.6	50.4	1480		234	315	75	6.2	1400		
			2070	575	38			271		79				
			2484	690	30			264		77				
		B	1350	375	84			407	76	630	87.5			6.8
			2448	680	67			510	85.3					
			2938	816	57			531	74					
	C	1250	347.2	74.8	344		74	500	87	6.6				
		2268	630	59.5	422		85							
		2722	756	50	436		85							
CPS-X 400-510M/4	A	1150	319.4	64.2	1480	276	400	73	6.4	1400				
		2088	580	50		335		82.5						
		2506	696	41.5		344		72						
	B	1050	291.7	54.3		216	72	315	83		6.2			
		1944	540	41.5		265	80							
		2333	648	34.5		274	80							

参数(Para.) 型号(Type)	流量(Q) Capacity		扬程(H) Head	转速(n) Speed	轴功率(Pa) Shaft Power	电机功率 Motor	效率 Eff.	必需汽余量 NPSHr	泵重 Pump Weight		
	(m³/h)	(l/s)	(m)	(r/min)	(kW)	(kW)	(%)	(m)	(kg)		
CPS-X 450-430/4	A	1674	475	54	333	450	74	8.4	1290		
		2743	762	43.5	376						
		3292	914	35	376						
		1560	433.3	46	272	355	72				
		2635	732	35	297						
		3162	878	27	290						
	B	1480	402.8	39	217	280	71	8.2			
		2563	712	27.5	232						
		3076	854	20	216						
	C	1350	375	33	173	220	70	8.1			
		2484	690	21.5	181						
		2981	828	15	163						
		1440	400	52.5	264		355			78	6.4
		2232	620	42.3	299						
		2678	744	35	303						
A	1345	373.6	46.6	225	280	76	6.3				
	2088	580	36	242							
	2506	696	28.8	240							
	B	1250	347.2	40	179	250	75	6.2			
		1987	552	30	198						
		2384	662	23.5	195						
C	1160	322.2	33	143	185	73	6.1				
	1858	516	24.5	155							
	2230	619	18.5	148							

注: CPS-R, CPS-H参数表与CPS相同,两者与CPS仅结构上有所区别。

● 订货须知

1. 根据使用条件决定泵的规格、材料、轴封型式及配套电机。订货时应指出流量、扬程、吸上高度或进口压力、选用材料、介质的名称、比重及温度等。
2. 配用特殊电机时,要指出防爆等级、功率、电压及频率等。
3. 旋转方向:用户选型必须指明泵的旋转方向。
4. 本样本内所列性能参数,用户可在其范围内任选,指定叶轮型式或指定性能参数。如有任何疑问请与我公司技术部联系。

GB 19762—2007

清水离心泵能效限定值及节能评价

单级清水离心泵效率											
Q (m³/h)	5	10	15	20	25	30	40	50	60	70	80
基准值 η (%)	58.0	64.0	67.2	69.4	70.9	72.0	73.8	74.9	75.8	76.5	77.0
目标限定值	56.0	62.0	65.2	67.4	68.9	70.0	71.8	72.9	73.8	74.5	75.0
Q (m³/h)	90	100	150	200	300	400	500	600	700	800	900
基准值 η (%)	77.6	78.0	79.8	80.8	82.0	83.0	83.7	84.2	84.7	85	85.3
目标限定值	75.6	76.0	77.8	78.8	80.0	81.0	81.7	82.2	82.7	83	83.3
Q (m³/h)	1000	15000	2000	3000	4000	5000	6000	7000	8000	9000	10000
基准值 η (%)	85.7	86.6	87.2	88.0	88.6	89.0	89.2	89.5	89.7	89.9	90
目标限定值	83.7	84.6	85.2	86.0	86.6	87.0	87.2	87.5	87.7	87.9	88

ns=20~300单级、多级清水离心泵效率修正值											
η _s	20	25	30	35	40	45	50	55	60	65	
Δ η %	32	25.5	20.6	17.3	14.7	12.5	10.5	9	7.5	6	
η _s	70	75	80	85	90	95	100	110	120	130	
Δ η %	5	4	3.2	2.5	2	1.5	1	0.5	0	0	
η _s	140	150	160	170	180	190	200	210	220	230	
Δ η %	0	0	0	0	0	0	0	0	0.3	0.7	
η _s	240	250	260	270	280	290	300				
Δ η %	1	1.3	1.7	1.9	2.2	2.7	3				

泵能效限定及节能评价					
泵类型	流量Q (m³/h)	比转速n _s	泵规定点效率值	泵能效限定值	泵节能评价
单级双吸清水离心泵	≤600	120~210	η ₀ =η	η ₁ =η ₀ -3	η ₃ =η ₀ +2
		<120、>210	η ₀ =η-Δη	η ₁ =η ₀ -3	η ₃ =η ₀ +2
	>600	120~210	η ₀ =η	η ₁ =η ₀ -4	η ₃ =η ₀ +1
		<120、>210	η ₀ =η-Δη	η ₁ =η ₀ -4	η ₃ =η ₀ +1

$$\text{注: } n_s = \frac{3.65n\sqrt{Q/2}}{H^{3/4}}$$

例: 流量为3200m³/h, 扬程150m的泵比转速为55, η₀=η-Δη=88%-9%=81%。 η₃=η₀+1=81%+1%=82%。