

HUAGUANG

宁波华光精密仪器有限公司
NINGBO HUAGUANG PRECISION INSTRUMENT CO., LTD.

宁波东紫仪器有限公司
NINGBO DONGZI INSTRUMENT CO.,LTD

Add: No.70 Zhenxing East Road, Zhangshui Town,
Haishu District,Ningbo City,Zhejiang,China
地址: 浙江省宁波市海曙区章水镇振兴东路70号

电话Tel: 86-574-8815 2588 8815 2566
传真fax: 86-574-88152570
邮编Post Code: 315161
E-mail: chinahg@hgopt.com
Http: //www.china-huaguang.com

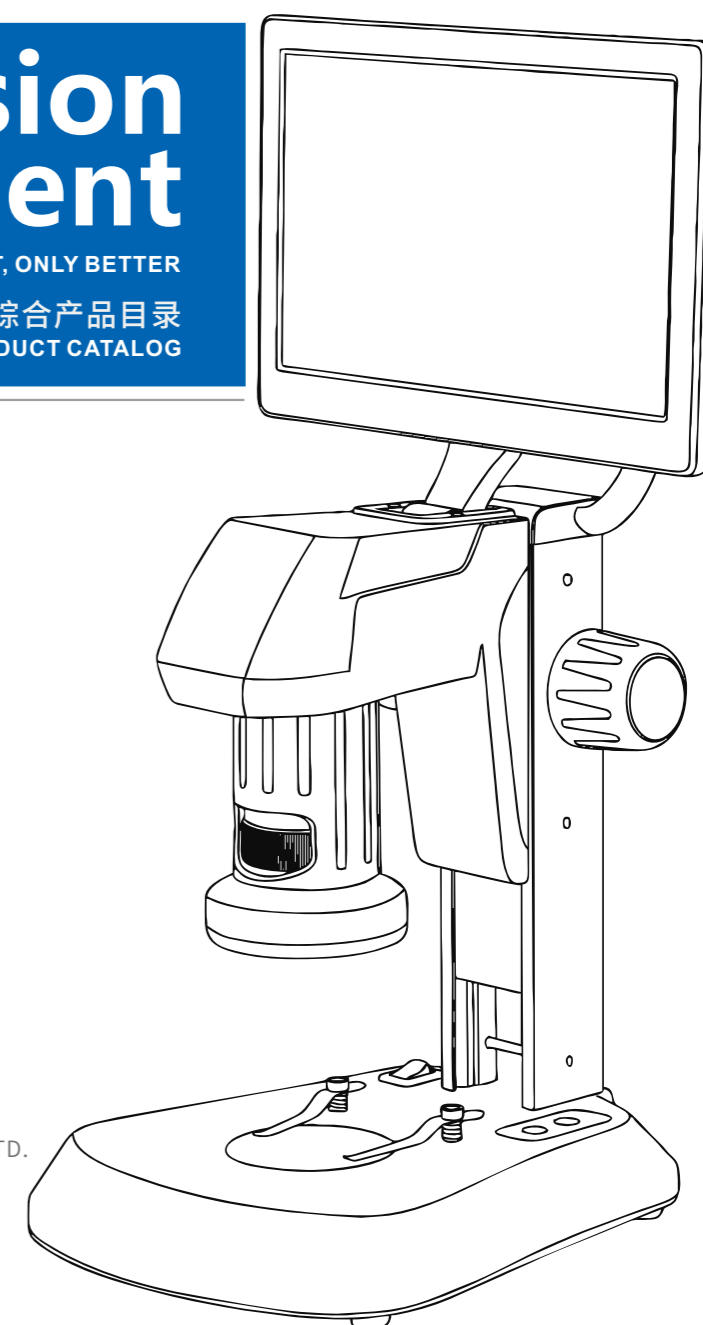
Ningbo Sales Center:
Chengnan Business Building, No.115 Huifeng West Road,
Yinzhou Central District, Ningbo City,Zhejiang,China

营销中心地址:
宁波市鄞州区中心区惠风西路115号城南商务大厦
外贸部 Foreign trade:574-8815 2570
内贸部 Domestic trade: 574-8828 6699

Precision Instrument

THERE IS NO BEST, ONLY BETTER

综合产品目录
COMPREHENSIVE PRODUCT CATALOG



网址二维码

设计更改:因为技术进步,生产商有权在设计上做出革新,不再另行通知。2021

SPECIFICATIONS ARE SUBJECT TO CHANGE WITHOUR ANY OBLIGATION ON THE PART OF THE MANUFACTURER.2021

宁波华光精密仪器有限公司
NINGBO HUAGUANG PRECISION INSTRUMENT CO.,LTD.

宁波东紫仪器有限公司
NINGBO DONGZI INSTRUMENT CO.,LTD



关于华光

宁波华光精密仪器有限公司生产基地坐落在“书藏古今，港通天下”的中国浙江省宁波市。优越的地理环境，深厚的港口文化底蕴造就了华光光学“创新，向上，诚信，务实”的公司文化。

公司于1989年从事光学元件方面的研发和生产，经三十余年的经营和发展，华光光学已成为集光学、机械、电子于一体的专业型生产企业。厂区占地面积一万五千多平方米，拥有员工200多人，其中长期从事光电行业的中、高级工程技术人员占25%。公司坚持以人为本，注重科技创新，与浙江大学、苏州大学、上海交大等高等院校在光电技术上紧密交流和协作。公司拥有光、机、电设备100多台，年生产能力在10万台。

公司于1999年通过ISO9001质量体系认证，企业实行ERP信息化管理。产品主要出口美国、巴西、荷兰、德国和日本等二十多个国家和地区，产品通过“CE、ISO、ROHS等”质量、安全认证。企业以品质精良赢得客户，做专做精成为专业仪器的制造商，跻身中国光学行业强企之列。



“华光照全球，绿色迎未来”是我们的质量方针，“没有最好、只有更好”是我们始终不渝的追求，我们将以“一流的企业形象，一流的设计理念，一流的产品质量，一流的服务态度”创造华光公司新世纪的形象。

Ningbo Huaguang Precision Instrument Co., Ltd. is located in Haishu District, Ningbo, with green hills and clear waters, pleasant climate and convenient transportation.

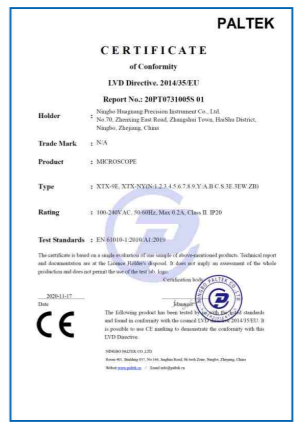
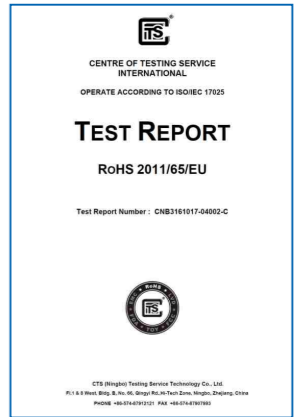
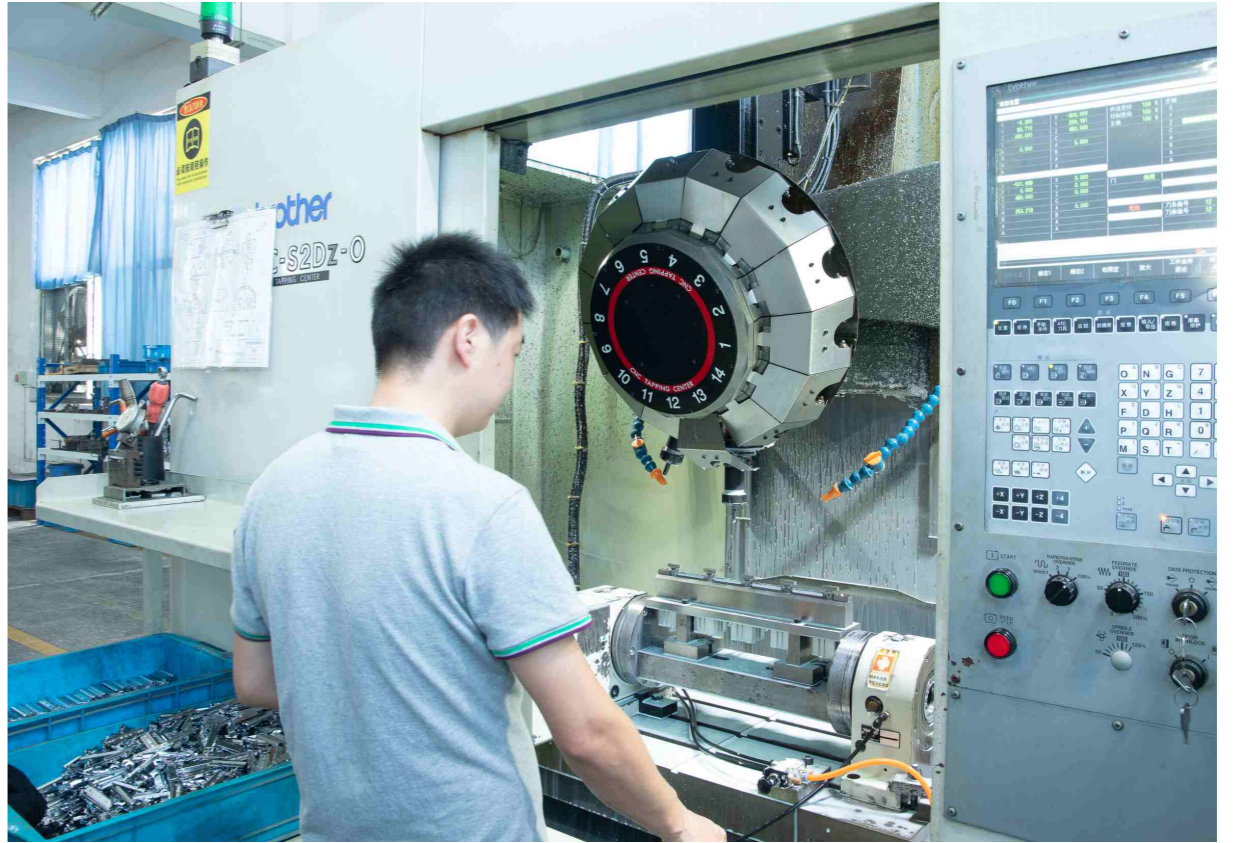
Our company is mainly engaged in production of educational microscope, industrial inspection microscope, professional jewelry inspection microscope and optical components as well as precision injection molding. Our products are exported to more than 20 countries and regions including America, Brazil, Germany, Netherlands, Japan, etc. We have developed various series of nanometer photocatalytic air purifier and air conditioning purification equipment, reaching the international advanced level.

Our company has been certified to ISO9001 Quality Management System, and our products have been certified to CE, ROHS, Our credo is "Nothing is perfect only better and better". We will continuously create a bright future for our enterprise with a brand new exciting image, advanced design concepts, stable product quality and excellent after-sales service.





工厂环境
FACTORY ENVIRONMENT



01 | 有级变倍
体视显微镜

STEP STEREO MICROSCOPE

- HST-3 系列显微镜 HST-3 SERIES MICROSCOPE
- HST-5 系列显微镜 HST-5 SERIES MICROSCOPE
- HST-7 系列显微镜 HST-7 SERIES MICROSCOPE
- HST-9 系列显微镜 HST-9 SERIES MICROSCOPE

02 | 连续变倍
体视显微镜

ZOOM STEREO MICROSCOPE

- SZ-845 系列显微镜 SZ-845 SERIES MICROSCOPE
- LBX 系列显微镜 LBX SERIES MICROSCOPE
- ZTX-E 系列显微镜 ZTX-E SERIES MICROSCOPE
- SZ-0745 系列显微镜 SZ-0745 SERIES MICROSCOPE

04 | 长工作距离
显微镜

LONG WORKING DISTANCE
MICROSCOPES

- C-2D 系列显微镜 C-2D SERIES MICROSCOPE
- C-6D 系列显微镜 C-6D SERIES MICROSCOPE

03 | 数码显微镜

DIGITAL MICROSCOPE

- IDM/SDM 系列显微镜 IDM/SDM DIGITAL MICROSCOPE
- LCD 系列显微镜 LCD DIGITAL MICROSCOPE
- ZTX-3S 系列显微镜 ZTX-3S DIGITAL MICROSCOPE
- TDM 系列显微镜 TDM DIGITAL MICROSCOPE
- ZTX-P 系列显微镜 ZTX-P DIGITAL MICROSCOPE

05 | 珠宝显微镜

JEWELRY MICROSCOPE

- ZTX-E-ZB 系列显微镜 ZTX-E-ZB JEWELRY MICROSCOPE
- XTX-7C-ZB 系列显微镜 XTX-7C-ZB JEWELRY MICROSCOPE
- HZB-2/3 系列显微镜 HZB-2/3 JEWELRY MICROSCOPE

06 | 变档体视
显微镜

STEP STEREO MICROSCOPE

- DTX 系列显微镜 DTX SERIES MICROSCOPE
- ZTX 10/20 系列显微镜 ZTX 10/20 SERIES MICROSCOPE
- XTX-1/2 系列显微镜 XTX-1/2 SERIES MICROSCOPE
- XTX-3 系列显微镜 XTX-3 SERIES MICROSCOPE
- XTX-5/6/7 系列显微镜 XTX-5/6/7 SERIES MICROSCOPE

07 | 金相显微镜

METALLURGICAL MICROSCOPE

- NF-100 系列显微镜 NF-100 METALLURGICAL MICROSCOPE
- NF-102A 系列显微镜 NF-102A METALLURGICAL MICROSCOPE
- NF-106 系列显微镜 NF-106 METALLURGICAL MICROSCOPE

09 | 儿童显微镜

CHILDREN'S MICROSCOPE

- STX/XDT 系列显微镜 STX/XDT SERIES STEP STEREO MICROSCOPE
- CSM/CBM 系列显微镜 CSM/CBM MICROSCOPE

08 | 生物显微镜

BIOLOGICAL MICROSCOPE

- NK 系列显微镜 NK BIOLOGICAL MICROSCOPE
- SX 系列显微镜 SX BIOLOGICAL MICROSCOPE

10 | 配件

ACCESSORIES

- 显微镜机座 THE STAND OF MICROSCOPE
- 大平台支架 UNIVERSAL STANDS
- 目镜 EYEPIECE
- 物镜 OBJECTIVE
- 环形灯 RING LIGHT
- 随机配件 OTHER ACCESSORIES
- 切片 SECTION
- 解剖工具 DISSECTION SET
- 矿石标本 MINERAL ROCK SETS



HST-9E

HTS系列体视显微镜外形新颖并具有完美的立体光学成像。带有防滑橡胶功能圈的双屈光度调节装置，让不同视力水平的使用者更容易到最好的观察效果。可选配不同的光源和多功能工作台。广泛应用于学校实验室、医疗卫生、公安科研及电子行业的检测、分析。

HTS series stereo microscopes have novel appearance and perfect stereo optical imaging. Double diopter adjustment device with non-skid rubber ring allows users with different eyesight levels to achieve the best observation easily. Different light sources and multifunctional working stages can be chosen. They are widely used in school laboratory, medical field, scientific research and electronic industry detection and analysis etc.

性能

- 视场宽广，成像清晰，立体感强
- 电压：100V-240V宽电压
- 产品通过“CE”认证
- 包装：泡沫+纸箱

FEATURES

- Wide field of view, clear imaging, three-dimensional sense
- Power Supply: 100V-240V
- Products Passed the "CE" certification
- Packing: Foam + carton

光学参数 OPTICAL DATA

物镜放大率 Objective	目镜 Eyepiece							
	WF5X		WF10X		WF15X		WF20X	
放大率 Magnification	视场 Field of View (mm)	放大率 Magnification	视场 Field of View (mm)	放大率 Magnification	视场 Field of View (mm)	放大率 Magnification	视场 Field of View (mm)	
1X	5X	22	10X	20	15X	15	20X	10
2X	10X	12	20X	10	30X	7.5	40X	6.5
3X	15X	8	30X	6.7	45X	5	60X	4.3
4X	20X	6	40X	5	60X	3.7	80X	3.2



HST-3CA

HST-3CAW

HST-3CBW

产品型号配置表 SPECIFICATIONS LIST

组件 Component	规格 Specifications	型号 Model				
		HST-3A	HST-3CA	HST-3CB	HST-3CAW	HST-3CBW
观察头 Viewing Head	双目45° 瞳距55-75mm 45° inclined binocular head, interpupillary distance is from 55mm to 75mm	●	●	●	●	●
目镜 Eyepiece	WF10×/20mm	●	●	●	●	●
	WF15×/15mm	○	○	○	○	○
	WF20×/10mm	○	○	○	○	○
物镜 Objective	2X/4X	●	●	●	●	●
	1X/3X	○	○	○	○	○
	1X/2X	○	○	○	○	○
工作距离 Working Distance	57mm	●	●	●	●	●
底座 Pillar	圆立柱 Circinal pillar	●	●	●		
	方立柱 Quadrate pillar				●	●
照明系统 Illumination	无光源 No light	●				
	LED上下调光 Adjustable LED light		●	●	●	●
调光方式 Light-dimmer	轻触5档调光 Touch five-speed switch		●		●	
	拨盘式调光 Dial dimmer switch			●		●

注：●为标准配置Standard ○为可选配置Optional

HST-5/7 有级变倍显微镜

SERIES STEP STEREO MICROSCOPES

HST-9 有级变倍显微镜

SERIES STEP STEREO MICROSCOPES

HST
STEP STEREO
MICROSCOPE



HST-5CAW



HST-5CB



HST-7CAW



HST-7CBW

产品型号配置表 SPECIFICATIONS LIST

组件 Component	规格 Specifications	型号 Model					
		HST-5CA	HST-5CB	HST-5CAW	HST-7CA	HST-7CAW	HST-7CBW
观察头 Viewing Head	双目45° 瞳距55-75mm 45° inclined binocular head, interpupillary distance is from 55mm to 75mm	●	●	●	●	●	●
目镜 Eyepiece	WF10×/20mm	●	●	●	●	●	●
	WF15×/15mm	○	○	○	○	○	○
	WF20×/10mm	○	○	○	○	○	○
物镜 Objective	2X/4X	●	●	●	●	●	●
	1X/3X	○	○	○	○	○	○
	1X/2X	○	○	○	○	○	○
工作距离 Working Distance	76mm	●	●	●	●	●	●
底座 Pillar	圆柱柱 Circinal pillar	●	●		●		
	方立柱 Quadrate pillar					●	●
照明系统 Illumination	无光源 No light						
	LED上下调光 Adjustable LED light	●	●	●	●	●	●
调光方式 Light-dimmer	轻触5档调光 Touch five-speed switch	●		●	●	●	
	拨盘式调光 Dial-dial dimming		●				●

注:●为标准配置Standard ○为可选配置Optional

光学参数 OPTICAL DATA

物镜放大率 Objective	目镜 Eyepiece							
	WF5X		WF10X		WF15X		WF20X	
	放大率 Magnification	视场 Field of View (mm)	放大率 Magnification	视场 Field of View (mm)	放大率 Magnification	视场 Field of View (mm)	放大率 Magnification	视场 Field of View (mm)
1X	5X	22	10X	20	15X	15	20X	10
2X	10X	12	20X	10	30X	7.5	40X	6.5
3X	15X	8	30X	6.7	45X	5	60X	4.3
4X	20X	6	40X	5	60X	3.7	80X	3.2



HST-92EBW



HST-9E



HST-93EAW

产品型号配置表 SPECIFICATIONS LIST

组件 Component	规格 Specifications	型号 Model				
		HST-9E	HST-92EAW	HST-92EBW	HST-93EAW	HST-93EBW
观察头 Viewing Head	双目45° 瞳距55-75mm 头部旋转 45° inclined binocular head, interpupillary distance is from 55mm to 75mm	●	●	●	●	●
目镜 Eyepiece	WF10×/20mm	●	●	●	●	●
	WF15×/15mm	○	○	○	○	○
	WF20×/10mm	○	○	○	○	○
物镜 Objective	2X/4X	●	●	●		
	1X/3X	○	○	○		
	1X/2X	○	○	○		
	1X/2X/4X				●	●
工作距离 Working Distance	76mm	●	●	●	●	●
底座 Pillar	方立柱 Quadrate pillar	●	●	●	●	●
光源 Illumination	LED上下调光 Adjustable LED light	●	●	●	●	●
调光方式 Light-dimmer	轻触5档调光 Touch five-speed switch	●	●		●	
	拨盘式调光 Dial dimmer switch			●		●

注:●为标准配置Standard ○为可选配置Optional

有级变倍显微镜
连续变倍显微镜
数码显微镜
长工作距离显微镜
珠片显微镜
变档体视显微镜
金相显微镜
生物显微镜
儿童显微镜
配件



SZ-845T

SZ845系列连续变倍显微镜具有高性能光路,形成清晰的高对比图像。配置0.8X~5X物镜Φ23MM高眼点目镜成像清晰,广泛应用于电子行业和科研检测等领域。

Sz845 series zoom stereo microscopes are equipped with 0.8X ~ 5X zoom objective and high eye point 10X eyepiece, sharp and high contrast images can be formed due to its high performance optical path. They are widely used in electronic industry, scientific research and testing etc.

产品型号配置表 SPECIFICATIONS LIST

目镜 Eyepiece	标准物镜 Standard Objective			附加物镜 Auxiliary Objective					
				0.5X		0.7X		2.0X	
	物镜倍率 Objective	视场 Field of View (mm)	工作距离 Working Distance (mm)	视场 Field of View (mm)	工作距离 Working Distance (mm)	视场 Field of View (mm)	工作距离 Working Distance (mm)	视场 Field of View (mm)	工作距离 Working Distance (mm)
HWF10X	0.8X-5X	23-2.8	115	46-5.6	205	32.8-4	150	11.5-1.4	43.5
HWF15X	0.8X-5X	15.3-1.9	115	30.6-3.8	205	21.8-2.7	150	7.65-0.95	43.5
HWF20X	0.8X-5X	11.5-1.4	115	23-2.8	205	16.4-2	150	5.75-0.7	43.5



SZ-845-B1

SZ-845-B2

SZ-845T

产品型号配置表 SPECIFICATIONS LIST

组件 Component	规格 Specifications	型号 Model			
		SZ-845	SZ845-B1	SZ845-B2	SZ-845-T
观察头 Viewing head	双目立体45° 45° inclined binocular	●	●	●	
	三目立体45° 45° inclined trinocular				●
瞳距调节 Interpupillary distance	55mm-75mm	●	●	●	●
目镜 Eyepiece	HWF10×/22mm	●	●	●	●
	HWF15×/16mm	○	○	○	○
	HWF20×/12mm	○	○	○	○
物镜 Objective	0.8X-5X	●	●	●	●
工作距离 Working Distance	115mm	●	●	●	●
底座 Base	圆立柱扇形 Circular column	●	●		
	方立柱扇形 Box type column			●	●
照明系统 Illumination	无光源 No light	○	●	●	○
	LED上下调光 Adjustable LED light	●			●
调光方式 Light-dimmer	旋钮式调光 Knob dimmer switch	○	○	○	○
	拨盘式调光 Dial dimmer switch	●	●	●	●
相机接口 Camera interface	C型 C Type				●

注:●为标准配置Standard ○为可选配置Optional 可选配件:电子目镜、高清相机Optional Accessory: CCD or HDMI camera

有级变倍显微镜
STEP STEREO MICROSCOPE

连续变倍显微镜
ZOOM STEREO MICROSCOPE

数码显微镜
DIGITAL MICROSCOPE

长工作距离显微镜
LONG WORKING DISTANCE MICROSCOPE

珠宝显微镜
JEWELRY MICROSCOPE

变档体视显微镜
STEP STEREO MICROSCOPE

金相显微镜
METALLURGY MICROSCOPE

生物显微镜
BIOLOGICAL MICROSCOPE

儿童显微镜
CHILDREN'S MICROSCOPE

配件
ACCESSORIES



ZTX-3E-C3

性能

- 视场宽广, 成像清晰, 立体感强
- 电压: 100V-240V宽电压
- 产品通过“CE”认证
- 包装: 泡沫+纸箱

FEATURES

- Wide field of view, clear imaging, three-dimensional sense
- Power Supply: 100V-240V
- Products Passed the "CE" certification
- Packing: Foam + carton

光学参数 OPTICAL DATA

目镜 Eyepiece	标准物镜 Standard Objective			附加物镜 Auxiliary Objective							
				0.5X		0.75X		1.5X		2X	
	物镜倍率 Objective	视场 Field of View (mm)	工作距离 Working Distance (mm)	视场 Field of View (mm)	工作距离 Working Distance (mm)	视场 Field of View (mm)	工作距离 Working Distance (mm)	视场 Field of View (mm)	工作距离 Working Distance (mm)	视场 Field of View (mm)	工作距离 Working Distance (mm)
SWF10X	1-4X	23-5.5	91	52-12	170	30-7	100	15-4.8	42	11.5-3	28
WF15X	1-4X	15.5-4	91	36-8.5	170	21-5	100	10.5-2.5	42	8.0-2	28
WF20X	1-4X	10.5-3	91	14-3.5	170	14-3.5	100	7-1.8	42	5.5-1.5	28



ZTX-E-C3



ZTX-E



ZTX-3E



ZTX-3E-C3

产品型号配置表 SPECIFICATIONS LIST

组件 Component	规格 Specifications	型号 Model				
		ZTX-E	ZTX-E-W	ZTX-E-C3	ZTX-3E-C3	ZTX-3E
观察头 Viewing Head	双目立体45° Binocular stereo 45°	●	●	●		
	三目立体45° Three-eye stereo 45°				●	●
瞳距调节 Interpupillary distance	55mm-75mm	●	●	●	●	●
目镜 Eyepiece	SWF10×/22mm	●	●	●	●	●
	WF15×/15mm	○	○	○	○	○
	WF20×/10mm	○	○	○	○	○
物镜 Objective	1X-4X	●	●	●	●	●
工作距离 Working Distance	91mm	●	●	●	●	●
机座 Base	圆立柱 Circinal pillar	●		●	●	●
	方立柱 Quadrate pillar		●			●
	扇形底座 Fan-shaped	●		●	●	
	方底座 Square		●			●
照明系统 Illumination	上下光卤素灯 Halogen light	●	●	●	●	●
	双支LED软管灯 Dual goose LED light			○	○	
调光方式 Light-dimmer	旋钮式调光 Knob dimmer switch	○	○	○	○	○
	拨盘式调光 Dial dimmer switch	●	●	●	●	●
相机接口 The camera interface	H型 H Type				●	●
	C型 C Type				○	○

注: ●为标准配置 Standard ○为可选配置 Optional 可选配件: 电子目镜 Optional Accessory: CCD

有级变倍显微镜
ZOOM STEREO MICROSCOPE
连续变倍显微镜
ZOOM STEREO MICROSCOPE
数码显微镜
DIGITAL MICROSCOPE
长工作距离显微镜
LONG WORKING DISTANCE MICROSCOPE
珠宝显微镜
JEWELRY MICROSCOPE
变档体视显微镜
STEP STEREO MICROSCOPE
金相显微镜
METALLURGICAL MICROSCOPE
生物显微镜
BIOLOGICAL MICROSCOPE
儿童显微镜
CHILDREN'S MICROSCOPE
配件
ACCESSORIES

LBXW-LED

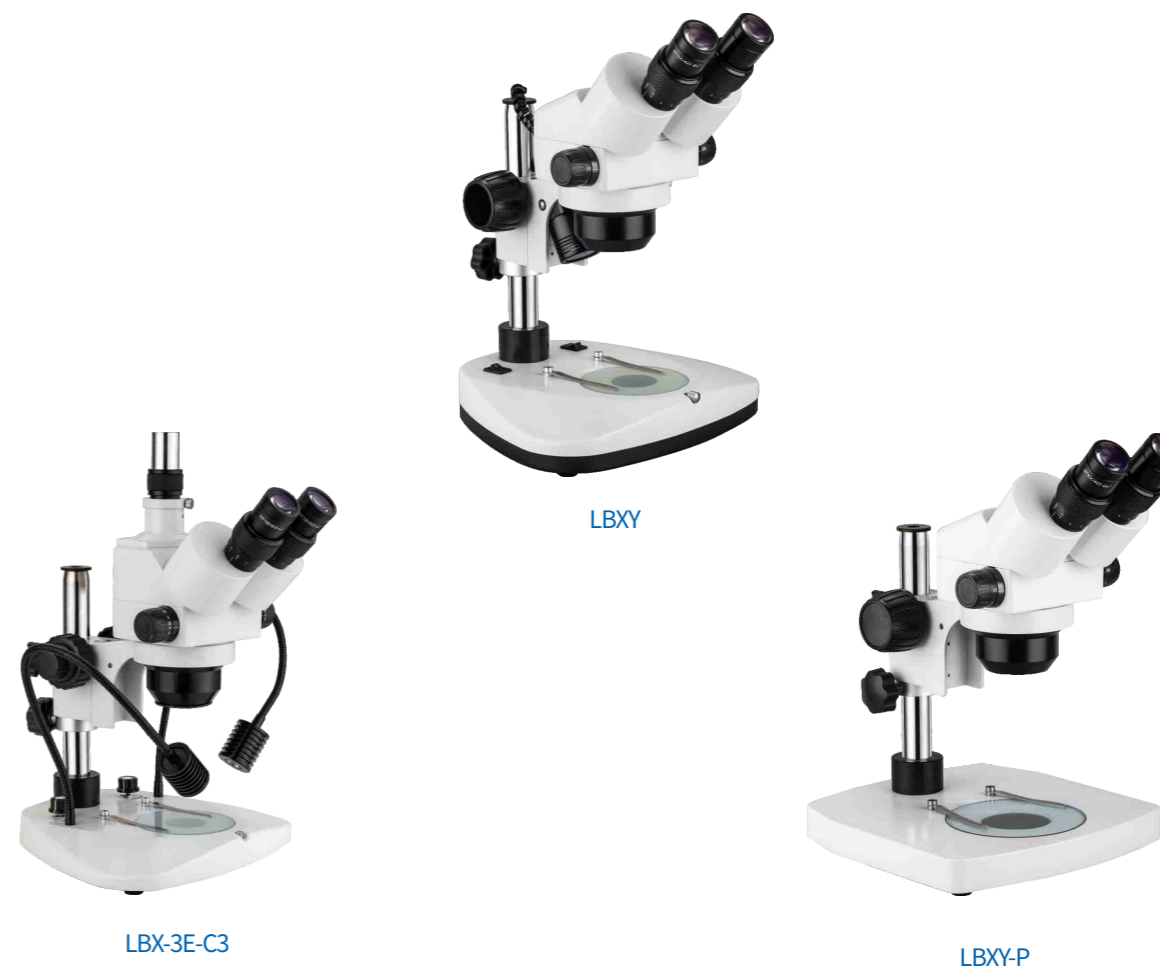


该仪器广泛应用于电子行业及精密零部件的质量检测，一体式环形调光LED照射光设计，照明均匀。并可选配不同的光源，操作简便成像清晰。

This instrument is widely used in electronic industry and quality inspection of precision parts. Built-in LED ring light with dimmer has uniform lighting performance. Different light-sources can be chosen, and they are popular due to easy operation and clear imaging.

光学参数 OPTICAL DATA

目镜 Eyepiece	标准物镜 Standard Objective			附加物镜 Auxiliary Objective					
				0.5X		1.5X		2X	
	物镜倍率 Objective	视场 Field of View (mm)	工作距离 Working Distance (mm)	视场 Field of View (mm)	工作距离 Working Distance (mm)	视场 Field of View (mm)	工作距离 Working Distance (mm)	视场 Field of View (mm)	工作距离 Working Distance (mm)
HWF10X	0.75X-5X	Φ33-Φ5	113	Φ65-Φ10	220	Φ22-Φ3.3	50	Φ16-Φ2.5	35
HWF15X	0.75X-5X	Φ24-Φ4.2	113	Φ48-Φ8.5	220	Φ16-Φ2.8	50	Φ12-Φ2	35
HWF20X	0.75X-5X	Φ20-Φ3.5	113	Φ40-Φ7	220	Φ13.3-Φ2.3	50	Φ10-Φ1.8	35



产品型号配置表 SPECIFICATIONS LIST

组件 Component	规格 Specifications	型号 Model				
		LBXY-P	LBXY	LBXW	LBXW-LED	LBX-3E-3C
观察头 Viewing head	双目45° 45° inclined trinocular	●	●	●	●	
	三目45° 45° inclined binocular					●
瞳距调节 Interpupillary distance	55-75mm	●	●	●	●	●
目镜 Eyepiece	HWF10×/22mm	●	●	●	●	●
	HWF15×/15mm	○	○	○	○	○
	HWF20×/14.5mm	○	○	○	○	○
物镜 Objective	0.75X-5X	●	●	●	●	●
工作距离 Working Distance	113mm	●	●	●	●	●
机座 Base	扇形底座 The fan base		●	●	●	●
	方形底座 square base	●				○
照明系统 Illumination	无光源 NO	●				
	LED上下调光 Adjustable LED light		●	●		●
调光方式 Light-dimmer	环形LED调光 LED ring Light				●	
	拨盘式调光 Dial dimmer switch		●	●	●	●
相机接口 Camera interface	H型 H Type					●
	C型 C Type					○

注：●为标准配置Standard ○为可选配置Optional 可选配件：电子目镜、高清相机Optional Accessory: CCD or HDMI camera



光学参数 OPTICAL DATA

目镜 Eyepiece	标准物镜 Standard Objective			附加物镜 Auxiliary Objective					
				0.5X		1.5X		2.0X	
	物镜倍率 Objective	视场 Field of View (mm)	工作距离 Working Distance (mm)	视场 Field of View (mm)	工作距离 Working Distance (mm)	视场 Field of View (mm)	工作距离 Working Distance (mm)	视场 Field of View (mm)	工作距离 Working Distance (mm)
HWF10X	0.7X-4.5X	Φ28.6-Φ4.4	100	Φ57.1-Φ8.9	165	Φ19-Φ3	45	Φ14-Φ2.2	30
HWF15X	0.7X-4.5X	Φ21-Φ3.3	100	Φ42.8-Φ6.7	165	Φ14.3-Φ2.2	45	Φ10.7-Φ1.7	30
HWF20X	0.7X-4.5X	Φ14.3-Φ2.2	100	Φ28.6-Φ4.4	165	Φ9.5-Φ1.5	45	Φ7.1-Φ1.1	30



产品型号配置表 SPECIFICATIONS LIST

组件 Component	规格 Specifications	型号 Model			
		SZ-0745	SZ-0745T	SZ-0745W	SZ-0745WT
观察头 Viewing Head	双目立体 Binocular stereo	●		●	
	三目立体 Trinocular stereo		●		●
瞳距调节 Interpupillary distance	55mm-75mm	●	●	●	●
目镜 Eyepiece	HWF10×/22mm	●	●	●	●
	HWF15×/16mm	○	○	○	○
	HWF20×/12mm	○	○	○	○
物镜 Objective	0.7X-4.5X	●	●	●	●
工作距离 Working Distance	115MM	●	●	●	●
底座 Base	圆立柱扇形 Circinal pillar	●	●		
	方立柱扇形 Quadrate pillar			●	●
照明系统 Illumination	无光源 NO	●			
	LED上下调光 Adjustable LED light	○	●	●	●
调光方式 Light-dimmer	旋钮式调光 Knob dimmer switch	○	●	●	●
	拨盘式调光 Dial dimmer switch		○	○	○
相机接口 The camera interface	C型 C Type		●		●

注:●为标准配置 Standard ○为可选配置 Optional 可选配件:电子目镜 Optional Accessory: CCD

有级变倍显微镜
STEP STEREO MICROSCOPE

连续变倍显微镜
ZOOM STEREO MICROSCOPE

数码显微镜
DIGITAL MICROSCOPE

长工作距离显微镜
LONG WORKING DISTANCE MICROSCOPE

珠宝显微镜
JEWELRY MICROSCOPE

变档体视显微镜
STEP STEREO MICROSCOPE

金相显微镜
METALLURGICAL MICROSCOPE

生物显微镜
BIOLOGICAL MICROSCOPE

儿童显微镜
CHILDREN'S MICROSCOPE

配件
ACCESSORIES



优质的光学设计与高清相机结合是数码显微镜的特色。多种信号的输出实现在不同场景的应用。精密测量、高清图像输出、宽电压输入带来更便捷的使用体验。丰富的附件可满足各项功能的需求，应用于工业组装和检验，科研、农林教学及基础研究。

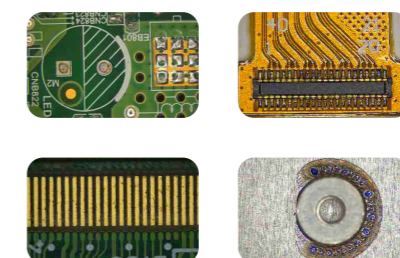
A more optimized optical path design and HDMI camera are the features of this digital microscope. A variety of signal outputs make it possible to be applied in different fields. Precision measurement, HD image output, and 100V-240V voltage input all bring users a more convenient experience. Using different accessories can meet different functional requirements, such as for industrial assembly and inspection, scientific research, agriculture and forestry teaching and basic research.

光学参数 OPTICAL DATA

型号 Model	物镜放大率 Model	工作距离 Working Distance(mm)	总放大倍率 Magnification
SDM	0.7x-4.5x	90	13X-X85
IDM	0.65x-5.5x	110	25X-210X
LCD-600	0.65x-6.0x	100	11X-102X
LCD-550	0.7x-5.5x	113	10X-85X
LCD-450	0.7x-4.5x	90	24X-152X



IDM



SDM

产品型号配置表 SPECIFICATIONS LIST

配置项目 Configuration	规格 Specifications	IDM	SDM
CCD目镜 CCD eyepiece	0.3X	○	●
	0.5x	●	
	1x	○	○
物镜 Objective	0.7X~4.5X		●
	0.65x~5.5x	●	
附加物镜 Auxiliary objective	0.5X	○	○
	2X	○	○
相机参数 Camera	1/2" 2MP	●	
	1/3" 300 line		●
显示屏 Display screen	9寸高清屏 9 inch HDMI		●
	外接显示屏 External	○	
信号输出 Signal output	HDMI	●	●
	USB2.0	●	
工作距离 Working Distance	90mm		●
	110mm	●	
照明系统 Illumination	LED灯 LED light	●	
	LED环形灯 LED ring lights	○	●
机座 Base	标配体视机座 Same as standard stereo microscope base	●	●
应用软件 Software function	图像测量 image measurement	●	●
软件操作 Software operating	鼠标 The mouse	●	●

注：●为标准配置 standard ○为选购配置 Optional

有级变倍显微镜
STEP STEREO MICROSCOPE

连续变倍显微镜
ZOOM STEREO MICROSCOPE

数码显微镜
DIGITAL MICROSCOPE

长工作距离显微镜
LONG WORKING DISTANCE MICROSCOPE

珠片显微镜
JEWELRY MICROSCOPE

变档体视显微镜
STEP STEREO MICROSCOPE

金相显微镜
METALLURGICAL MICROSCOPE

生物显微镜
BIOLOGICAL MICROSCOPE

儿童显微镜
CHILDREN'S MICROSCOPE

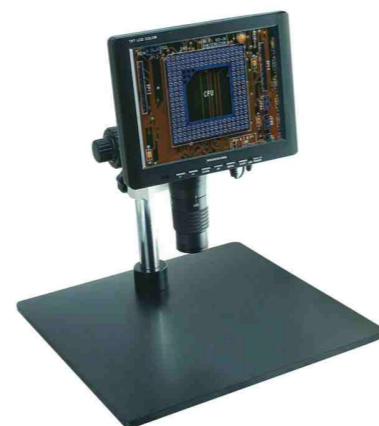
配件
ACCESSORIES



LCD-550



LCD-450



LCD-600



ZTX-3S-C3



XTX-6S-W



HST-9S-BW

产品型号配置表 SPECIFICATIONS LIST

配置项目 Configuration	规格 Specifications	型号 Model		
		LCD450	LCD550	LCD600
CCD目镜 CCD eyepiece	0.3X	○	○	○
	0.5x	●	●	●
	1x	○	○	○
物镜 Objective	0.7X~4.5X	●	○	○
	0.65x~5.5x	○	●	○
	0.7X-4.5X (Infinity Zoom Range)	○	○	●
附加物镜 Auxiliary objective	0.5X	○	○	○
	2X	○	○	○
相机参数 Camera	1/2.3" 1400MP	●	○	○
	1/3" 580line	○	●	●
显示屏 Display screen	10寸高清屏 10inch HDMI	○	○	○
	8寸高清屏 8inch HDMI	●	●	●
信号输出 Signal output	HDMI	●	○	○
	USB2.0	●	○	○
	P/N	○	●	●
工作距离 Working Distance	90MM	●	●	○
	100MM	○	○	●
照明系统 Illumination	卤素灯照射光 A halogen lamp reflects light	○	●	○
	卤素灯透射光 A halogen lamp transmits light	○	●	○
	LED灯 LED light	●	○	○
	LED环形灯 LED ring light	○	○	○
机座 Base	标配体视机座 Same as standard stereo microscope base	●	●	●

LCD-600镜体为平行光路结构, 可搭配不同的光源、各类目镜和辅助物镜放大倍率可扩展

注: ●为标准配置 standard ○为选购配置 Optional

产品型号配置表 SPECIFICATIONS LIST

配置项目 Configuration	规格 Specifications	型号 Model		
		ZTX-3S-C3	XTX-6S-W	HST-9S-BW
镜体 Viewing head	斜筒双目 Inclined binocular head	●	●	●
	机头360°旋转 360° rotatable	●	●	●
目镜 Eyepiece	1/3" inch CMOS 5MP	●	●	●
	WF5×/φ16	○	○	○
	WF10×/φ20	●	●	●
	WF15×/φ15	○	○	○
	WF20×/φ10	○	○	○
物镜 Objective	SWF10×/φ22	●	○	○
	Conversion type 2 X / 4X	○	●	●
	Conversion 1X/2X or 1X/3X	○	○	○
照射光 Incident light	Zoom 1X-4X	●	○	○
	12V/10W卤素灯 12 v / 10 w halogen lamp	●	●	●
透射光 Transmitted light	LED灯 1W LED lights	○	○	○
	12V/10W卤素灯 12 v / 10 w halogen lamp	●	●	●
	LED灯 (60MA) LED light 60MA	○	○	○
调光装置 The dimming device	拨盘式调光 Dial dimmer switch	●	●	●

注: ●为标准配置 standard ○为选购配置 Optional



TDM-650MP



TDM-6303DMP



ZTX-P



ZTX-S1

产品型号配置表 SPECIFICATIONS LIST

配置项目 Configuration	规格 Specifications	TDM-650MP	TDM-6303DMP
分辨率 Viewing Head	1920*1080	●	●
像素尺寸 Pixel size	3.75x3.75μm	●	●
输出格式 The output format	HDMI	●	●
传感器 The sensor	1/2" Sony sensor	●	●
帧率 Frame rate	60/Fps	●	●
图像储存 The image is stored	拍照和录像 (BMP or JPG photo storage) Taking photos and video	●	●
光路设计 Optical path design	平行光路 Parallel to the optical path	●	●
光学放大 Optical zoom	0.6-5.0X	●	●
视场范围 field	12x6.75-1.44x0.81mm	●	●
工作距离 Working distance	86mm	●	●
总放大倍率 Total magnification	28-240X(基于15.6寸显示器) 28-240x (based on 15.6-inch display)	●	●
照明系统 Lighting system	四分区调光LED环形灯 Four-zonal dimming LED ring light	●	●
免定标功能 Calibration free function	变率变换时无需重新定标 There is no need to recalibrate when the variability changes	●	●
测量功能 Measurement functions	支持点, 线, 平行线, 圆, 弧, 角度, 矩形, 多边形等测量 Support point, line, parallel line, circle, arc, Angle, rectangle, polygon measurement, etc	●	●
变倍方式 Way of changing times	手动变倍 Manually changing times		●
	电动巡航变倍 Electric cruise doubled	●	
3D观察器 The 3d viewer	0°~45°手动切换 0°~45° manual switch		●
操作方式 Mode of operation	鼠标 按键 The mouse button	●	●
配件 Accessories	移动平台 The mobile platform	○	○
	根据使用要求选择缩像镜及辅助物镜 Select the zoom lens and auxiliary objective lens according to the use requirement	○	○

注: ●为标准配置 standard ○为选购配置 Optional

产品型号配置表 SPECIFICATIONS LIST

配置项目 Configuration	规格 Specifications	ZTX-S1	ZTX-S2	ZTX-P
物镜 Objective	Zoom 0.7X-4.5X	●		●
	Zoom 0.65X-5.5X		●	○
照射光 Irradiation light	12v10w卤素灯 12 v10w halogen light	●	●	
	LED灯1w 1w LED light	○	○	
	荧光环形灯 Fluorescent ring light	○	○	○
	LED环形灯 LED ring light	○	○	○
透射光 Transmitted light	12v10w卤素灯 12 v10w halogen light	●	●	
	LED灯1w 1w LED light	○	○	
工作距离 Working distance	90mm	●		●
	110mm		●	
附加物镜 Auxiliary objective	0.5×0.3×2X	○	○	○
附件 Attachme	C型0.5X接口 C type interface with 0.5X	●	●	●

注: ●为标准配置 standard ○为选购配置 Optional

有级变倍显微镜
STEP STEREO MICROSCOPE
连续变倍显微镜
ZOOM STEREO MICROSCOPE
数码显微镜
DIGITAL MICROSCOPE
长工作距离显微镜
LONG WORKING DISTANCE MICROSCOPE
珠宝显微镜
JEWELRY MICROSCOPE
变档体视显微镜
STEP STEREO MICROSCOPE
金相显微镜
METALLOGRAPHICAL MICROSCOPE
生物显微镜
BIOLOGICAL MICROSCOPE
儿童显微镜
CHILDREN'S MICROSCOPE
配件
ACCESSORIES



C-2D

C系列产品特色工作距离长，视场范围大，操作空间不受限制。广泛应用于大型PCB板材检测、手机电脑主板维修、牙科造形及精密制造零部件装配等行业。

C series products have long working distance, large field of view and unlimited operating space. They are widely used in large PCB testing, mobile phone maintenance, dental shaping and precision manufacturing parts assembly and other industries.

光学参数 OPTICAL DATA

物镜倍率 Objective	目镜 Eyepiece								工作距离 Working Distance (mm)
	5X		10X		15X		20X		
	放大率 Magnification	视场 Field of View (mm)	放大率 Magnification	视场 Field of View (mm)	放大率 Magnification	视场 Field of View (mm)	放大率 Magnification	视场 Field of View (mm)	
0.5X	2.5×	Φ40	5×	Φ40	7.5×	Φ30	10×	Φ20	250mm
0.8×	4×	Φ25	8×	Φ25	12×	Φ19	16×	Φ13	145mm
1X	5×	Φ20	10×	Φ20	15×	Φ15	20×	Φ10	230mm

光源可选：单支/双支LED鹅颈灯、柱形LED外接光源 Optional Light: Single or dual LED goose light.



C-2D

C-2D-LED

C-6D

产品型号配置表 SPECIFICATIONS LIST

组件 Component	规格 Specifications	型号 Model	
		C-2D	C-6D
观察头 Viewing Head	双目直筒瞳距55-75mm Binocular straight tube pupil distance 55-75mm		●
	双目45°瞳距55-75mm Binocular 45° pupil distance 55-75mm	●	
目镜 Eyepiece	WF10×/20mm	●	●
	WF15×/15mm	○	○
	WF20×/10mm	○	○
物镜 Objective	0.5X	●	
	0.8X	○	●
	1X	○	
	2X	○	
工作距离 Working Distance	145mm		●
	230mm	●	
底座 Base	圆长立柱 Circinal pillar	●	
	鹅颈支架 Goose-neck pillar		●
照明系统 Illumination	无光源 No		●
	LED鹅颈灯 LED gooseneck lamp	●	
	LED上光源 LED incident light	○	

注：●为标准配置 Standard ○为可选配置 Optional

有级变倍显微镜
STEP STEREO MICROSCOPE

连续变倍显微镜
ZOOM STEREO MICROSCOPE

数码显微镜
DIGITAL MICROSCOPE

长工作距离显微镜
LONG WORKING DISTANCE MICROSCOPE

珠宝显微镜
JEWELRY MICROSCOPE

变档体视显微镜
STEP STEREO MICROSCOPE

金相显微镜
METALL MICROSCOPE

生物显微镜
BIOLOGICAL MICROSCOPE

儿童显微镜
CHILDREN'S MICROSCOPE

配件
ACCESSORIES



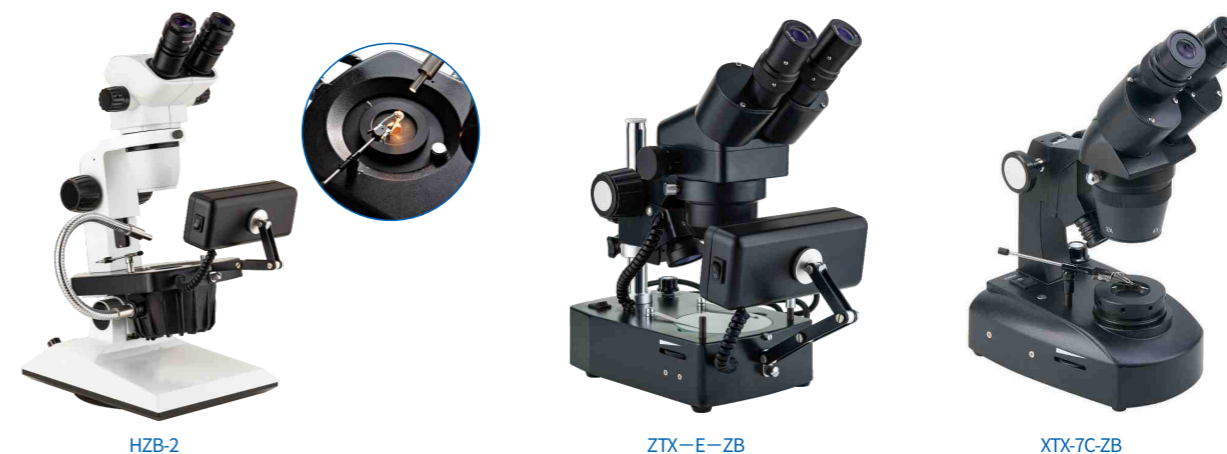
ZTX-E-ZB

专业支架及光源完全满足各种珠宝外表观察、内部精细鉴定的需要。优异的光学系统具备清晰与高对比度成像，是珠宝行业鉴定工具，也是爱好者观察不同珠宝品质的首选产品。

Professional stand and light source can meet various kinds of jewelry appearance observation and internal fine appraisal. With excellent optical system and high contrast imaging, it is an ideal jewelry identification tool and first choice for enthusiasts to observe different jewelries.

光学参数 OPTICAL DATA

型号 Model	物镜放大率 Objective	工作距离 Working distance (mm)	视场 Field of view
ZTX-E-ZB	1×-4×	90.5m	22-5.5
ZTX-7C-ZB	1×	75	20
	2×	91	91
	3×	69	10
	4×	70	5
HZB-2/HZB-3	0.67×-4.5×	110	33-5.1



HZB-2

ZTX-E-ZB

ZTX-7C-ZB

产品型号配置表 SPECIFICATIONS LIST

配置项目 Component	规格 Specifications	ZTX-E-ZB	ZTX-3E-ZB	HZB-2	HZB-3	ZTX-7C-ZB
机头 Viewing Head	双目 Inclined binocular	●		●		●
	三目 Inclined trinocular	○	●		●	
	机头360°旋转 360° rotatable	●	●	●	●	●
目镜 Eyepiece	SWF10X	●	●	●	●	
	HWF10X	○		○	○	
	WF15X	○	○	○	○	○
	WF20X	○	○	○	○	○
物镜 Objective	0.67X-4.5X			●	●	
	1X-4X	●	●			
	2X/4X					●
	1X/3X					○
	1X/2X					○
照射光 Incident Light	12V10W卤素灯 12V10W halogen light	●	●	●	●	●
	10W荧光灯 10W fluorescent light	●	●	●	●	○
	单束光纤 Single fiber			●	●	
透射光 Transmitted light	12V10W卤素灯 12V10W halogen light	●	●	●	●	●
附件 Attachment	珠宝钳 Jewel tweezer	●	●	●	●	●
	珠宝工作台(带光栏) Darkfield working stage (with diaphragm)	●	●	●	●	●
调光装置 Light-dimmer	拨盘调光 Dial dimmer switch	●	●	●	●	●
数码接口 Camera Interface	C型 C Type				●	
	H型 H Type		●			

注：●为标准配置 standard ○为选购配置 Optional



DTX-20

该仪器操作方便实用性强，性价比高。满足大中医院校科研教学及电子行业对产品检测的需要。

The instrument has high cost performance and it is easy to operate. It can meet the needs of scientific research and teaching in colleges and universities, and electronic industry for product testing.

光学参数 OPTICAL DATA

物镜放大率 Objective	目镜 Eyepiece							
	WF5X		WF10X		WF15X		WF20X	
	放大率 Magnification	视场 Field of View(mm)	放大率 Magnification	视场 Field of View(mm)	放大率 Magnification	视场 Field of View(mm)	放大率 Magnification	视场 Field of View(mm)
1X	5X	20	10X	20	15X	15	20X	10
2X	10X	10	20X	10	30X	7.5	40X	5
3X	15X	7	30X	7	45X	5	60X	3.5
4X	20X	5	40X	5	60X	3.8	80X	2.5



ZTX-10



ZTX-20-C3



ZTX-20



DTX-20

产品型号配置表 SPECIFICATIONS LIST

组件 Component	规格 Specifications	型号 Model			
		ZTX-10	ZTX-20	ZTX-20-C3	ZTX-20-W
观察头 Viewing Head	双目45°倾斜 360° 旋转 55-75mm 45° inclined binocular head, interpupillary distance is from 55mm to 75mm	●	●	●	●
目镜 Eyepiece	WF10×/20mm	●	●	●	●
	WF15×/15mm	○	○	○	○
	WF20×/10mm	○	○	○	○
物镜 Objective	2X/4X	●	●	●	●
	1X/3X	○	○	○	○
	1X/2X	○	○	○	○
工作距离 Working Distance	80mm	●	●	●	●
底座 Base	圆立柱 Circular pillar	●	●	●	
	方立柱 Quadrate pillar				●
照明系统 Illumination	无光源 No	●			
	LED上下光源 LED		○	○	○
调光方式 Light-dimmer	上下光源调光 Halogen light		●	●	●
	旋钮式调光 Knob dimmer switch		●	●	●
	拨盘式调光 Dial dimmer switch		○	○	○

注：●为标准配置 Standard ○为可选配置 Optional 可选配件：电子目镜 Optional Accessory: CCD

有级变倍显微镜
STEP STEREO MICROSCOPE
连续变倍显微镜
ZOOM STEREO MICROSCOPE
数码显微镜
DIGITAL MICROSCOPE
长工作距离显微镜
LONG WORKING DISTANCE MICROSCOPE
珠片显微镜
JEWELRY MICROSCOPE
变档体视显微镜
STEP STEREO MICROSCOPE
金相显微镜
METALLURGICAL MICROSCOPE
生物显微镜
BIOLOGICAL MICROSCOPE
儿童显微镜
CHILDREN'S MICROSCOPE
配件
ACCESSORIES



XTX-7C-W

XTX系列是基本型的立体小型显微镜，具有视场宽广，成像清晰的特色。是普通教育和实验室的普及类产品

XTX series microscope is a basic stereo microscope with wide field of view and clear image. It is the general products for education and laboratory of the universal class.

光学参数 OPTICAL DATA

物镜放大率 Objective	目镜 Eyepiece							
	WF5X		WF10X		WF15X		WF20X	
	放大率 Magnification	视场 Field of View(mm)	放大率 Magnification	视场 Field of View(mm)	放大率 Magnification	视场 Field of View(mm)	放大率 Magnification	视场 Field of View(mm)
1X	5X	22	10X	20	15X	15	20X	10
2X	10X	12	20X	10	30X	7.5	40X	6.5
3X	15X	8	30X	6.7	45X	5	60X	4.3
4X	20X	6	40X	5	60X	3.7	80X	3.2



产品型号配置表 SPECIFICATIONS LIST

组件 Component	规格 Specifications	型号 Model					
		XTX-1A	XTX-1B	XTX-1C	XTX-2A	XTX-2B	XTX-2C
观察头 Viewing Head	双目45°观察55-75mm 45° inclined binocular head, interpupillary distance is from 55mm to 75mm				●	●	●
	直筒观察55-75mm 90° binocular head, interpupillary distance is from 55mm to 75mm	●	●	●			
目镜 Eyepiece	WF10×/20mm	●	●	●	●	●	●
	WF15×/15mm	○	○	○	○	○	○
	WF20×/10mm	○	○	○	○	○	○
物镜 Objective	1X	○	○	○	○	○	○
	2X	●	●	●	●	●	●
	3X	○	○	○	○	○	○
	4X	○	○	○	○	○	○
工作距离 Working Distance	57mm	●	●	●	●	●	●
照明系统 Illumination	无光源 No	●			●		
	上下白炽灯 Incandescent light		●	●		●	●
	上下LED LED		○	○		○	○

注：●为标准配置Standard ○为可选配置Optional

有级变倍显微镜
STEP STEREO MICROSCOPE

连续变倍显微镜
ZOOM STEREO MICROSCOPE

数码显微镜
DIGITAL MICROSCOPE

长工作距离显微镜
LONG WORKING DISTANCE MICROSCOPE

珠宝显微镜
JEWELRY MICROSCOPE

变档体视显微镜
STEP STEREO MICROSCOPE

金相显微镜
METALLOGRAPHICAL MICROSCOPE

生物显微镜
BIOLOGICAL MICROSCOPE

儿童显微镜
CHILDREN'S MICROSCOPE

配件
ACCESSORIES

光学参数 OPTICAL DATA

物镜放大率 Objective	目镜 Eyepiece							
	WF5X		WF10X		WF15X		WF20X	
	放大率 Magnification	视场 Field of View(mm)	放大率 Magnification	视场 Field of View(mm)	放大率 Magnification	视场 Field of View(mm)	放大率 Magnification	视场 Field of View(mm)
1X	5X	22	10X	20	15X	15	20X	10
2X	10X	12	20X	10	30X	7.5	40X	6.5
3X	15X	8	30X	6.7	45X	5	60X	4.3
4X	20X	6	40X	5	60X	3.7	80X	3.2



XTX-3A



XTX-3B



XTX-3C

产品型号配置表 SPECIFICATIONS LIST

组件 Component	规格 Specifications	型号 Model		
		XTX-3A	XTX-3B	XTX-3C
观察头 Viewing Head	双目45°瞳距55-75mm 45° inclined binocular head, interpupillary distance is from 55mm to 75mm	●	●	
目镜 Eyepiece	WF10×/20mm	●	●	●
	WF15×/15mm	○	○	●
	WF20×/10mm	○	○	○
物镜 Objective	2X/4X	●	●	○
	1X/3X	○	○	●
	1X/2X	○	○	○
工作距离 Working Distance	57mm	●	●	○
底座 Base	圆立柱 Circinal pillar	●	●	●
	无光源 No	●		●
照明系统 Illumination	LED上下光源 LED		●	
	上下白炽灯 Up and down incandescent lamps		○	●
调光方式 Light-dimmer	拨盘式调光 Dial dimmer switch			○
	旋钮式调光 Knob dimmer switch		○	○



XTX-5B



XTX-5C



XTX-6CW



XTX-7C-W

产品型号配置表 SPECIFICATIONS LIST

组件 Component	规格 Specifications	型号 Model					
		XTX-5A	XTX-5B	XTX-5C	XTX-5CW	XTX-6CW	XTX-7CW
观察头 Viewing Head	双目45°瞳距55-76mm 头部旋转 45° inclined binocular head, interpupillary distance is from 55mm to 76mm	●	●	●	●	●	●
目镜 Eyepiece	WF10×/20mm	●	●	●	●	●	●
	WF15×/15mm	○	○	○	○	○	○
	WF20×/10mm	○	○	○	○	○	○
物镜 Objective	2X/4X	●	●	●	●	●	●
	1X/3X	○	○	○	○	○	○
	1X/2X	○	○	○	○	○	○
工作距离 Working Distance	76mm	●	●	●	●	●	●
底座 Base	圆立柱 Circinal pillar	●	●	●			
	方立柱 Quadrate pillar				●	●	●
照明系统 Illumination	无光源 No	●					
	LED上下光源 LED		●	●	●	●	●
调光方式 Light-dimmer	上下光卤素灯 Halogen light		○	○	○	○	○
	旋钮式调光 Knob dimmer switch		○	○	○	○	○
	拨盘式调光 Dial dimmer switch		○	○	○	●	●

注：●为标准配置 Standard ○为可选配置 Optional



NF-106

NF系列工业检测显微镜光学系统采用无限远光路设计,长工作距离高倍物镜与宽电压输入是观察和检测各类PCB线路板,LCD液晶屏与IT行业大面积集成电路,晶片与金属金相组织的不二选择。

NF series industrial inspection microscope, its optical system adopts an infinite optical path design and a high magnification objective lens with long working distance. So it is the best choice for observing and testing all kinds of PCB, large area of integrated circuit, chip and metal structure.

性能

- 视场宽广,成像清晰,立体感强
- 电压:100V-240V宽电压
- 产品通过“CE”认证
- 包装:泡沫+纸箱

FEATURES

- Wide field of view, clear imaging, three-dimensional sense
- Power Supply: 100V-240V
- Products Passed the "CE" certification
- Packing:Foam + carton



NF-102A

NF-106

产品型号配置表 SPECIFICATIONS LIST

组件 Component	规格 Specifications	型号 Model			
		NF-102	NF-102A	NF-106	
铰链观察头 Compensation Viewing Head	双目 Binocular	○		○	
	三目 Trinocular		●	●	
目镜 Eyepiece	WF10×/18mm	●	●	○	
	WF10×/22mm	○	○	●	
	WF10×/18mm(带0.1mm十字分划板) WF10X cross scaled 0.1mm	○	○	○	
	WF8×/18mm	○	○	○	
	WF12.5×/15mm	○	○	○	
物镜 Objective	无限远平场消色差物镜 Infinite plan Achromatic Objective	4×/0.1∞/-WD25.4mm	○	○	○
		10×/0.25∞/-WD11.0mm	●	●	●
		20×/0.40∞/-WD6.0mm	●	●	●
		40×/0.60∞/-WD3.7mm	●	●	●
		80×/0.90∞/-WD0.2mm	○	○	○
转换器 Nosepiece	四孔转换器 Quadruple Nosepiece	●	●	●	
	三孔转换器 Triple Nosepiece	○	○	○	
载物台 Stage	双层机械平台 Double Layers Mechanical Stage 150mm×140mm 移动范围 Moving range75mm×50mm	●	●		
	双层机械平台 Double Layers Mechanical Stage 300mm×268mm 移动范围 Moving range250mm×250mm			●	
焦距调节 Focusing	同轴粗微调焦 Coaxial Coarse Fine Focus Adjustment System	●	●	●	
照明系统 Illumination	柯拉照明6v20V,亮度可调 Kohler Lllumination, Halogen Lamp 6v 20w, brightness, adjustable	●	●	●	
偏光装置 Polarization	检偏和起偏装置 Polarizer	●	●	●	
滤色镜 Filter	蓝色、黄色、绿色、磨砂玻璃片 Blue, yellow, green and frosted glass	●	●	●	
图象分析软件 Image analysis software	标准C型接口 "C" Standard port	●	●	●	
	图象分析软件 Image process soft ware	○	○	○	

注:●为标准配置 standard ○为选购配置 Optional

有级变倍显微镜
STEP STEREO MICROSCOPE

连续变倍显微镜
ZOOM STEREO MICROSCOPE

数码显微镜
DIGITAL MICROSCOPE

长工作距离显微镜
LONG WORKING DISTANCE MICROSCOPE

珠片显微镜
JEWELRY MICROSCOPE

变档体视显微镜
STEP STEREO MICROSCOPE

金相显微镜
METALLOGRAPHIC MICROSCOPE

生物显微镜
BIOLOGICAL MICROSCOPE

儿童显微镜
CHILDREN'S MICROSCOPE

配件
ACCESSORIES

NK-106



高效、灵活、稳定是NK系列生物显微镜的特色。高品质的光学设计满足了其从日常使用到科学研究广泛的应用。宽电压输入是各种实验室、学校、医院及科研单位及个人的首选。

High efficiency, flexibility and stability are the characteristics of NK series biological microscopes. The high quality optical design satisfies its wide range of applications from daily use to scientific research, and it is the first choice for all kinds of laboratories, schools, hospitals, scientific research institutions and even individuals.

性能

- 视场宽广, 成像清晰, 立体感强
- 电压: 100V-240V宽电压
- 产品通过“CE”认证
- 包装: 泡沫+纸箱

FEATURES

- Wide field of view, clear imaging, three-dimensional sense
- Power Supply: 100V-240V
- Products Passed the "CE" certification
- Packing: Foam + carton



NK-117



NK-106



NK-107



NK-107CCD

产品型号配置表 SPECIFICATIONS LIST

组件Component	规格 Specifications	NK-106	NK-106E	NK-107	NK-107CCD	NK-217	NK-217N
观察头 Viewing head	单目45° 45° inclined monocular	●	●				
	平移式双目45° Horizontal 45° inclined binocular			●			
	平移式三目45° Horizontal 45° inclined trinocular				●		
	铰链式双目30° Articulated 30° inclined binocular					●	●
	铰链式三目30° Articulated 30° inclined binocular					○	○
目镜 The eyepiece	WF10X	●	●	●	●	●	●
	SWF10X(23mm)					●	
	WF16X	○	○	●	●	●	●
物镜 Objective	WF10X带0.1mm十字分划板 WF10X cross scaled 0.1mm	○	○	○	○	○	○
	DIN 消色差物镜4X/10x/40x/100X (S)(可选) DIN achromatic objective 无穷远平场消色差物镜 Infinite flat field achromatic objective lens	●	●	●	●	●	●
转换器 Nosepiece	三孔转换器 Triple Nosepiece	●					
	四孔转换器 Quadruple Nosepiece		●	●	●	●	●
	五孔转换器 Five-hole converter					○	
载物台 Stage	简易平台110x120mm Simple platform	●					
	双层活动平台 140X155mm (107机型) /110X125mm (106机型) Double Layers Mechanical Stage		●	●	●		
焦距调节 Focusing	同轴粗微调焦机构 0.002MM Coaxial Coarse Fine Focus Adjustment System	○	●	●	●	●	●
	粗微调分开放式调焦机构 Coarse fine tuning separate focusing mechanism	●					
聚光镜 Condenser	NA1.25 (可带插拔式相衬/暗场/偏光) 聚光镜 condenser					●	
	5孔拨盘蓝 NA0.65单聚光镜 5 hole dial light blue NA0.65 single condenser	○					
	NA1.25通用聚光镜 NA1.25 universal condenser		●	●	●	●	●
照明系统 Illumination	110V/220V 6V20W 卤素灯, 亮度可调 Adjustable brightness	○	●				
	平凹反光镜 Flat-concave reflector	●					
摄像接口 Camera interface	1W/3W LED灯柯勒照明 Kohler Illumination, Halogen Lamp		●	●	●	●	●
	标准C型接口 "C" Standard port				●	●	●

注: ●为标准配置 standard ○为选购配置 Optional

有级变倍显微镜
STEP STEREO MICROSCOPE

连续变倍显微镜
ZOOM STEREO MICROSCOPE

数码显微镜
DIGITAL MICROSCOPE

长工作距离显微镜
LONG WORKING DISTANCE MICROSCOPE

珠宝显微镜
JEWELRY MICROSCOPE

变档体视显微镜
STEP STEREO MICROSCOPE

金相显微镜
METAL MICROSCOPE

生物显微镜
BIOLOGICAL MICROSCOPE

儿童显微镜
CHILDREN'S MICROSCOPE

配件
ACCESSORIES

性能

- 视场宽广, 成像清晰, 立体感强
- 45°倾斜单目观察, 锁定目镜
- 机身可360°旋转
- 放大倍率为20X
- 工作距离80mm
- XDT-1金属结构, XDT-2金属塑料结构。
- 单台泡沫装, 10台一个大纸箱, 外包装尺寸: 76x41x26cm

FEATURES

- Sharp stereo erect image over a wide field of view.
- 45°inclined monocular head with locked in eyepiece.
- 360°rotatable head.
- Total magnification 20X
- Working distance: 80mm
- XDT-1: metal frame; XDT-2: metal-plastic frame.
- Each set packed in styrofoam box and in inner box.Ten sets in one
- outer carton.The outer measurement is 76×41×26cm.



XDT-2



SX-C1

性能

- 45°倾斜单目观察, 锁定目镜。
- 目镜10X
- 物镜4X, 10X和40X
- SX-A和SX-B带平凹反光镜, SX-AL和SX-BL带照明装置
- SX-AL和SX-BL的输入电压110V/60Hz或220V/50Hz 20W
- 每台泡沫包装, 放入内纸箱, 六台一个外箱, 外包装尺寸为: 44.5×40×32cm (SX-A/B); 49.5×47×34.5cm (SX-AL/BL)

FEATURES

- 45°inclined monocular head with locked-in eyepiece.
- Eyepiece 10X.
- Objective 4X, 10X, 40X.
- SX-A, SX-B with plan-concave mirror and SX-AL, SX-BL with illumination.
- Power supply SX-AL and SX-BL 110V/60Hz or 220V/50Hz 20W.
- Each set packed in Styrofoam and in an inner box. Six sets
- in one carton.The outer measurement is 44.5×40×32cm (SX-A/B); 49.5×47×34.5cm (SX-AL/BL).



STX

性能

- 视场宽广, 成像清晰, 立体感强
- 双目观察, 出筒距调节范围为55-75mm
- 工作距离70mm
- 目镜WF10X物镜2X
- 内置照射光LED灯
- 电源为二节五号电池
- 塑料机身, 携带方便
- 单台内包装, 10台一个外纸箱, 外包装尺寸: 69.5×36×29cm

FEATURES

- Sharp stereo erect image over a wide field of view.
- binocular head,the interpupillary distance is between 55-75mm.
- Working distance: 70mm.
- Eyepiece WF10X, Objective 2X.
- Built-in LED incident light.
- Power 2 units of AA batteries.
- Plastic body easily to carry.
- Each set packed in styrofoam box and in an inner box.Ten sets
- in one outer carton.The outer measurement is 69.5×36×29cm.



STX-45



SX-A1

可选购附件

- 目镜WF5X, 10X, 15X, 25X
- 生物切片
- 生物解剖工具
- 变倍目镜: 1.0X~1.4X
- 外接光源: 220V/110V, 6V/6W



SX-BL

OPTIONAL ACCESSORY

- Eyepiece: WF5X, 10X,15X,25X.
- Biological Slide.
- Biological Dissection set.
- Zoom eyepiece: 1.0X~1.4X.
- Outer-connected illumination: 220V/110V, 6V/6W.



可选颜色 Optional color



可选购附件

- 主机:DIY组装
- 目镜:10X
- 物镜:1.5X
- 光源:LED 6500K
- 工作距离:80mm
- 可选配件:礼盒包装、生物切片、空白切片
塑料解剖工具 实验工具 卡通塑料剪刀

OPTIONAL ACCESSORY

- Host: DIY assembly
- The eyepiece: 10X
- Objective: 1.5 X
- Light source: LED 6500K
- Working distance: 80mm
- Accessories: gift box packaging, biological slice, blank slice
Plastic dissection tool experimental tool cartoon plastic scissors



可选颜色 Optional color



可选购附件

- 主机:DIY组装
- 目镜:10X, 16
- 物镜:4X/10X,40X
- 光源:LED 6500K
- 工作距离:80mm
- 可选配件:礼盒包装、生物切片、空白切片
塑料解剖工具 实验工具

OPTIONAL ACCESSORY

- Host: DIY assembly
- The eyepiece: 10X,16
- Objective: 4X/10X,40X
- Light source: LED 6500K
- Working distance: 80mm
- Accessories: gift box packaging, biological slice, blank slice
Plastic dissection tool experimental tool cartoon plastic scissors



TD- I 大平台支架
TD- I Universal Stand With Large Base



TD- II 大平台支架
TD- II Universal Stand With Large Base



TD- III 万向支架
TD- III Universal Stand



TD- IV
TD- III Universal Stand



C3机架
C3 Series Stand



P机架
P Series Stand



双支LED灯支架
Stand with dual goose LED



S机架
S Series Stand



ZTX机架
ZTX Series Stand

目镜 Eyepiece



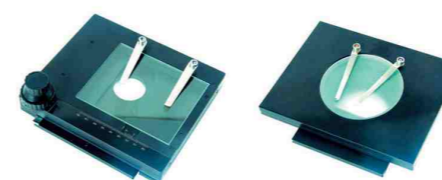
物镜 Objective



附加物镜 Auxiliary objectives



插入式物镜 Inserted objectives



载物台 Mechanical stage



珠宝工作台 Darkfield working stage



珠宝夹 Jewel tweezer

有级变倍显微镜
STEREO MICROSCOPE
连续变倍显微镜
ZOOM STEREO MICROSCOPE
数码显微镜
DIGITAL MICROSCOPE
长工作距离显微镜
LONG WORKING DISTANCE MICROSCOPE
珠宝显微镜
JEWEL MICROSCOPE
变档体视显微镜
STEP STEREO MICROSCOPE
金相显微镜
METALL MICROSCOPE
生物显微镜
BIOLOGICAL MICROSCOPE
儿童显微镜
CHILDREN'S MICROSCOPE
配件
ACCESSORIES



冷光源箱Y3
24V/150W Light source



环形光纤
Ring Fiber



单支光纤
Single Fiber



双支光纤
Dual Fiber

技术参数 TECHNICAL DATA

型号 Model	单支光纤 Single fiber	双支光纤 Dual fiber	环形光纤 The ring optical fiber	
长度 Length (mm)	550	550	900	800
光纤直径 Diameter of fiber (mm)	5.6	5.6	10	10
环形内径 ID of ring (mm)	/	/	55.5	55.5



方型光源
110V/9W/220V/9W Square illumination



外接光源6V/6W或12V/10W
Outer-connected illumination 6V/6W or 12V/10W



双支光LED灯
Dual goose LED light



LED-96T



RFL8



RFL10-1



RFL10



灯管 Bulb

技术参数 TECHNICAL DATA

型号 Model	RFL8	RFL8-1	RFL8-2	RFL10-1	RFL10-2
电压 Voltage	110V/220V				
功率 Power	8W			10W	
色温 Color temperature	2700K/6000K				
调光 The dimmer	无调光 No				



LED-64T-B



LED-80T



LED-60T



LED-60T-B

技术参数 TECHNICAL DATA

型号 MODEL	LED-60T	LED-60T-B	LED-64T-B	LED-80T	LED-80T-B	LED-96T	3W 双支 LED Wdual goose LED light
输出电压 Output Voltage	12V	12V	4.5V	4.5V	4.5V	12V	4.5V
发光管数量 No.of Led	60	60	24	48	48	96	2
色温± Color temperature	6500k-7000k	7000k-11000k	6500k-7000k	6500k-7000k	6500k-7000k	6500k-8000k	5600k-6300k
亮度调节 Brightness adjustment	分档编程调光	0-100%可调	NO	NO	NO	0-100%可调	0-100%可调
亮度 Brightness At height of 100mm	8500lux 左右 Around 8500lux	8500lux 左右 Around 8500lux	5000lux 左右 Around 5000lux	6000lux 左右 Around 6000lux	6000lux 左右 Around 6000lux	10000lux 左右 Around 10000lux	10000lux 左右 Around 10000lux
寿命 Life span	10000 小时 10000 hours	10000 小时 10000 hours	10000 小时 10000 hours	10000 小时 10000 hours	10000 小时 10000 hours	10000 小时 10000 hours	10000 小时 10000 hours



CCD相机
CCD camera



矿石标本-Mineral rock sets



解剖工具-Dissection-set



塑料切片-Plastic-slide