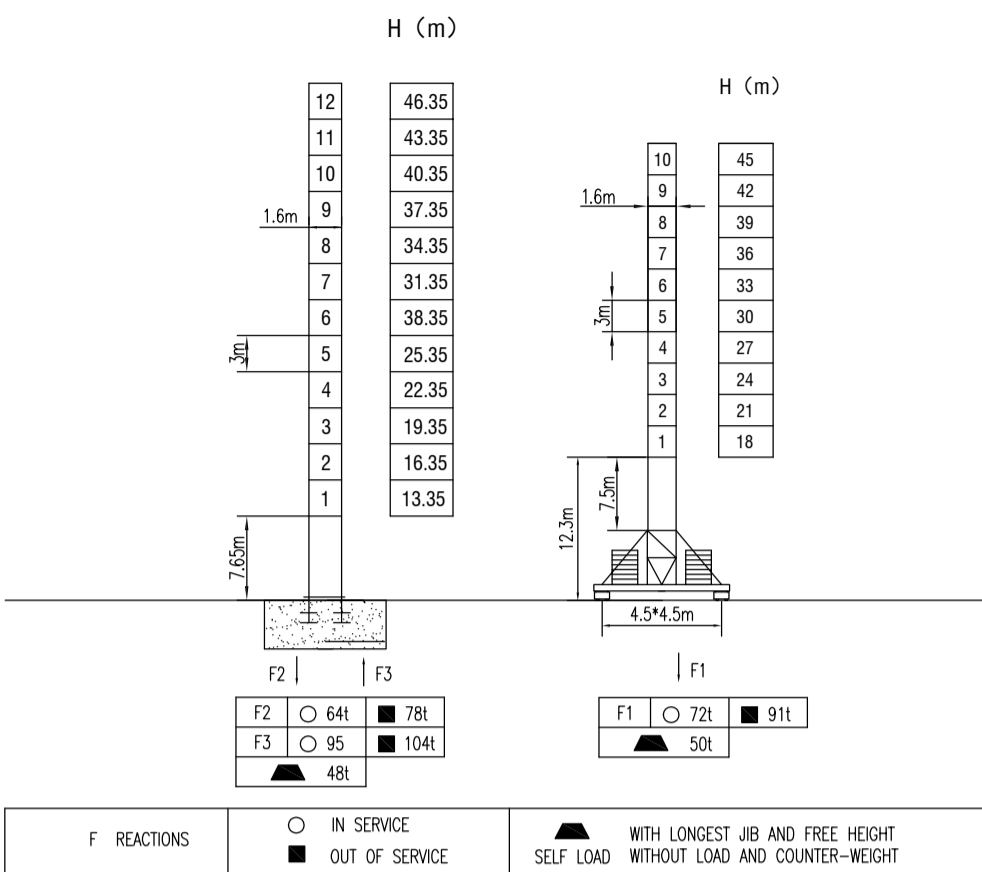
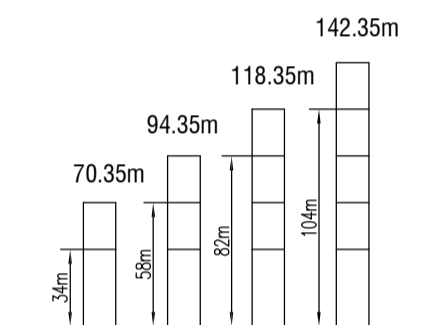


MILISCORP

MAST SECTION



ANCHORAGES



LOAD DIAGRAMS

Radius	2.5	R(Cmax)/m	22	24	30	32	34	40	45	46	50	55	60	m
60m	☞	17.8 / 6.0	4.51	4.08	3.12	3.0	2.85	2.3	2.0	1.95	1.75	1.45	1.05	t
		24.3 / 3.0		3.0	3.27	3.15	3.0	2.45	2.15	2.1	1.9	1.6	1.2	t
55m	☞	17.8 / 6.0	4.51	4.08	3.12	3.0	2.85	2.3	2.0	1.95	1.75	1.45	t	
		24.3 / 3.0		3.0	3.27	3.15	3.0	2.45	2.15	2.1	1.9	1.6	t	
50m	☞	19.6 / 6.0	5.06	4.57	3.52	3.35	3.15	2.55	2.34	2.15	1.95	t		
		26.3 / 3.0		3.0	3.67	3.5	3.3	2.7	2.35	2.3	2.1	t		
45m	☞	22.0 / 6.0	6.0	5.24	3.85	3.75	3.55	2.95	2.45	t				
		30.0 / 3.0		3.0	3.9	3.7	3.1	2.6	t					
40m	☞	23.0 / 6.0	6.0	5.72	4.43	4.05	3.85	3.25	t					
		33.0 / 3.0		3.0	3.95	3.4	t							

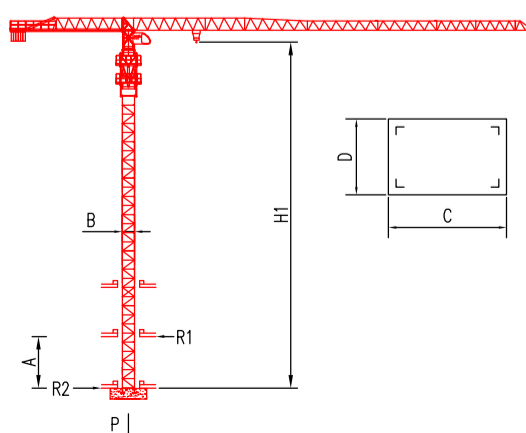
COUNTER-JIB BALLAST

Radius	Counter-jib ballast (t)
60m	12.0t
55m	11.0t
50m	10.0t
45m	8.6t
40m	7.8t

TECHNICAL PARAMETER

MECHANISMS		☞		☞		☞		kw	
Hoisting	30PQC15	m/min	0-40	0-80	0-20	0-40	>340	24	
		t	3	1.5	6	3			
	QTJ63	m/min	40	80	20	40	>400	30	
		t	3	1.5	6	3			
Trolleying	QTB4.0	40 / 20						3.3 / 2.2	
Slewing	RCV95	0-0.8						95NMx2	
Travelling	4TRVF	0-30						2x4	
Power supply		380v.50Hz / 440v.60Hz							
Necessary electric power		60KVA							

INNER CLIMBING



Parameter	16m-21m	12m-14m
A	16m-21m	12m-14m
B	2m	2m
C	2.15m	2.15m
D	1.6m	1.6m
H1	25.8m	25.8m
*R1		
*R2		
*P		

* No coefficient in service

* The technical information can not be published without approval. The specifications are not subject to legal constraints due to continually products improved, the performance data will be modified without notice.