

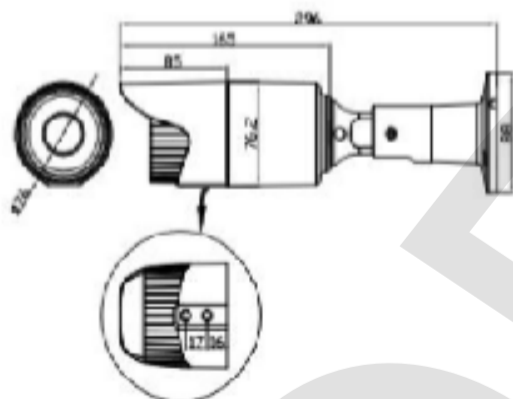
H.265 4.0MP CCTV Video Surveillance IR Bullet IP HD Camera



Features

- * Hisilicon high-performance DSP
- * High quality progressive scanning CMOS
- * H.265/H.264 High profile
- * Support dual stream, support mobile phone
- * Support power supply DC12V/POE
- * Standard ONVIF Protocol, support multi network protocols
- * Metal case, Waterproof IP66

Dimension



Accessories

- User Manual
- CD
- Screw fittings

Specification

| | | |
|-----------------------|---|---|
| Product Name | H.265 4.0MP CCTV Video Surveillance IR Bullet IP HD Camera | |
| Model No. | WDM-HIP9400D | |
| Video | | |
| System | Hi3516D+OV4689 | |
| Sensor | 1/3" 4.0M Pixels Progressive CMOS Image Sensor | |
| Output resolution | 4.0MP(2592x1520) | |
| D/N Mode | Auto switching,black and white video and IR cut action linkage | |
| Illumination | 0.05Lux/F1.2 (Color), 0.01Lux/F1.2(B/W) | |
| SNR | ≥50db(AGC OFF) | |
| Gain Control | Auto | |
| DNR | 3DNR | |
| WDR | DWDR(>80dB) | |
| Video processing | H.265/H.264 video compression, dual streaming | |
| | 32KB ~16Mbps, support VBR, CBR | |
| Video Output | Main streaming | 2592*1520,2048*1520,1920*1080,704*576,640*480,320*240 |
| | Sub streaming | 704*576,640*480,320*240 |
| Frame rate | 2592*1520(1~15fps); 2048*1520/1080P(1 ~ 25/30fps) | |
| Network interface | RJ45 ethernet,10/100M;RTSP/FTP/PPPOE/DHCP/DDNS/NTP/UPnP protocol supported | |
| Access Protocol | Standard ONVIF Protocol, Support third party access; PC; | |
| | Support IE6.0 and above Smartphone | |
| | Support Android\iPhone | |
| Lens | | |
| Lens | Standard 4mm lens(6mm lens or 2.7-13.5mm manual/auto lens for optional) | |
| View Angle | 4mm lens(4MP F2.0 1/3" H 71.1°); 6mm lens(4MP F2.0 1/3" H 49.5°); 2.7-13.5mm Auto Lens(4MP F1.3 1/3" H 91.2°-24.8°); 2.7-13.5mm Manual Lens(4MP F1.8 1/3" H 100.1°-24.8°) | |
| IR distance | 30-40m(42pcs F5 IR leds) | |
| Function | | |
| Function | Support WEB configuration, OSD,real-time video transmission | |
| | Support motion detection | |
| | Support front end storage ,playback and download | |
| | Support uniform client and platform system application | |
| | Support complete SDK for second development. | |
| Normal | | |
| Material | Metal Case, White | |
| Weather Proof | IP66 Waterproof, Weather Resistance | |
| Power supply | DC12V/POE(24W) optional | |
| Operation temperature | -20°C~+60°C,10%~90%RH | |