

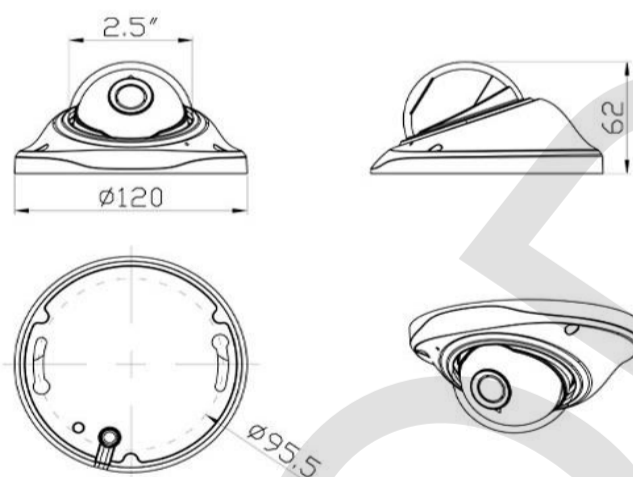
H.265 4.0MP CCTV Video Surveillance IR Dome IP HD Camera



Features

- * Hisilicon high-performance DSP
- * High quality progressive scanning CMOS
- * H.265/H.264 High profile
- * Support dual stream, support mobile phone
- * Support power supply DC12V/POE
- * Standard ONVIF Protocol, support multi network protocols
- * Metal case, Waterproof IP65

Dimension



Accessories

- User Manual
- CD
- Screw fittings

Specification	
Product Name	H.265 4.0MP CCTV Video Surveillance IR Dome IP HD Camera
Model No.	WDM-HIP8400C
Video	
System	Hi3516D+OV4689
Sensor	1/3" 4.0M Pixels Progressive CMOS Image Sensor
Output resolution	4.0MP(2592x1520)
D/N Mode	Auto switching,black and white video and IR cut action linkage
Illumination	0.05Lux/F1.2 (Color), 0.01Lux/F1.2(B/W)
SNR	≥50db(AGC OFF)
Gain Control	Auto
DNR	3DNR
WDR	DWDR(>80dB)
Video processing	H.265/H.264 video compression, dual streaming
	32KB ~16Mbps, support VBR, CBR
Video Output	Main streaming 2592*1520,2048*1520,1920*1080,704*576,640*480,320*240
	Sub streaming 704*576,640*480,320*240
Frame rate	2592*1520(1~15fps); 2048*1520/1080P(1 ~ 25/30fps)
Network interface	RJ45 ethernet,10/100M;RTSP/FTP/PPPOE/DHCP/DDNS/NTP/UPnP protocol supported
Access Protocol	Standard ONVIF Protocol, Support third party access; PC;
	Support IE6.0 and above Smartphone
	Support Android\iPhone
Lens	
Lens	Standard 3.6 lens(6mm lens or 130° fisheye lens for optional)
View Angle	3.6mm lens(4MP F2.0 1/3" H 76.1°); 6mm lens(4MP F2.0 1/3" H 49.5°);
IR distance	10m(12pcs F5 IR leds)
Function	
Function	Support WEB configuration, OSD,real-time video transmission
	Support motion detection
	Support front end storage ,playback and download
	Support uniform client and platform system application
	Support complete SDK for second development.
Normal	
Material	Metal Case, White
Explosive-proof Grade	IK10
Weather Proof	IP65 Waterproof, Weather Resistance
Power supply	DC12V/POE(18W) optional
Operation temperature	-20°C~+60°C,10%~90%RH