

SPECIFICATION FOR APPROVAL

承 认 书

Description : **Piezo Buzzer**

Vender's Part No. : **EPI-2616A-12030L100**

Customer's. Part No. :

Serial No. : **SAN-2008**

Version No. : **1.1**

CUSTOMER'S APPROVED SIGNATURE		

NINGBO SANCO ELECTRONICS CO., LTD.

Rm724, No.22 Lane38, Furong Road, Ningbo Hi-tech park, Ningbo China

TEL: +86-0574-83851068

FAX: +86-0574-83851096

E-Mail: sales@sancoelectronics.com

Http: //www.sancobuzzer.com

Approved By	Checked By	Made By
Duan 2014-6-18	Litao 2014.06.18	Wushao 2014.06.18

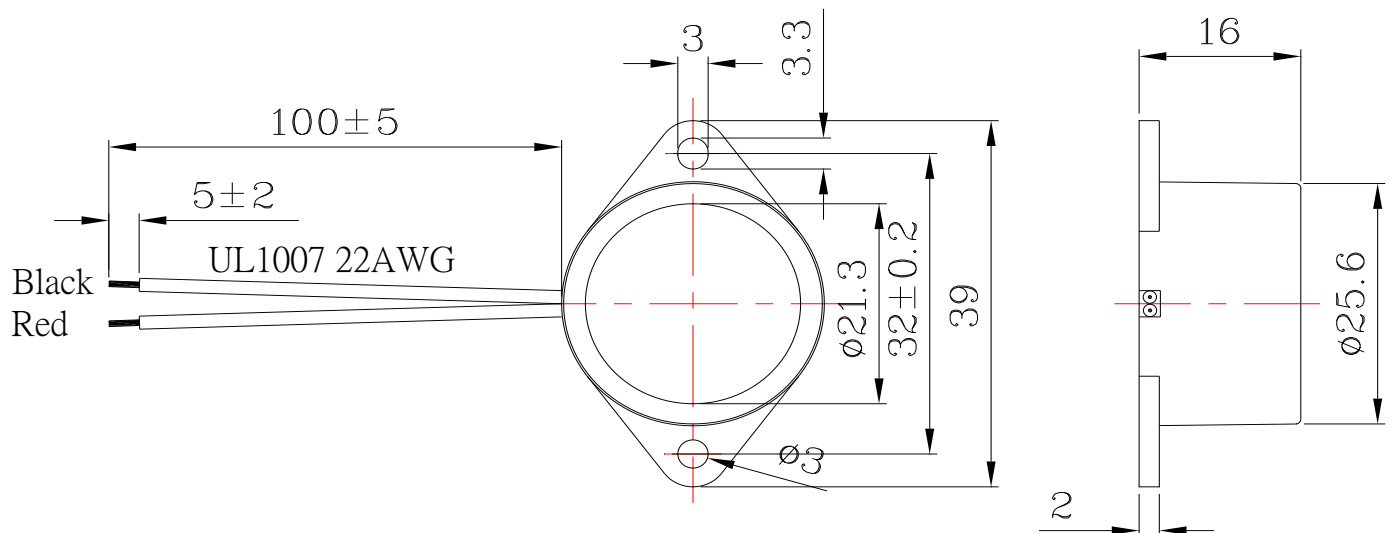
A. SCOPE

This specification applies piezo buzzer, **EPI-2616A-12030L100**

B. SPECIFICATION

No.	Item	Unit	Specification	Condition
1	Oscillation Frequency	KHz	3.0±0.5	
2	Operating Voltage	VDC	6 ~ 14	
3	Rated Voltage	VDC	12	
4	Current Consumption	mA	MAX. 35	at Rated Voltage
5	Sound Pressure Level	dB	MIN. 85	at 30cm at Rated Voltage
6	Tone Nature		Constant	
7	Operating Temperature	°C	-40~ +85	
8	Storage Temperature	°C	-40 ~ +85	
9	Dimension	mm	Φ25.6 x H16	See appearance drawing
10	Weight (MAX)	gram	41	
11	Housing Material		ABS(Black)	
12	Leading Pin		Wire type	See appearance drawing
13	Environmental Protection Regulation		RoHS	IP67

C. APPEARANCE DRAWING



Tol : ± 0.5

Unit: mm

NINGBO SANCO ELECTRONICS CO., LTD.
 TEL: +86-574-83851068 FAX: +86-574-83851096
 EMAIL: Sales@sancoelectronics.com

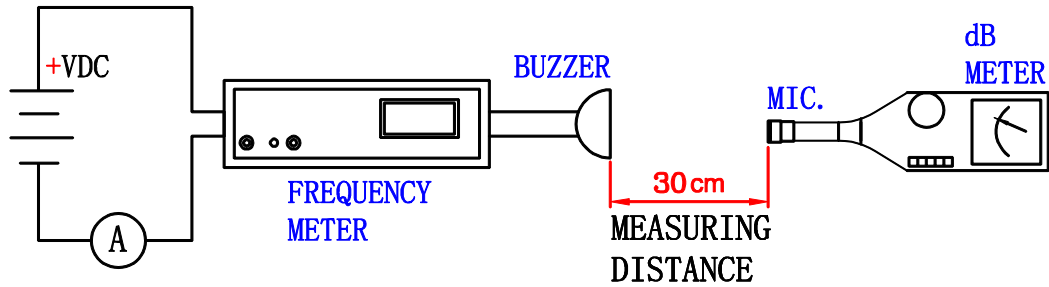
D. TESTING METHOD

Standard Measurement conditions

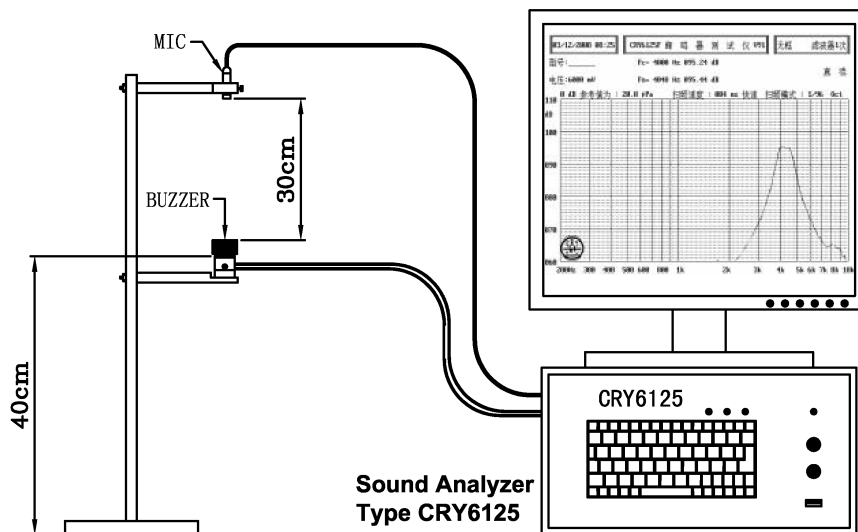
Temperature: $25 \pm 2^\circ\text{C}$ Humidity: 45-65%

Acoustic Characteristics:

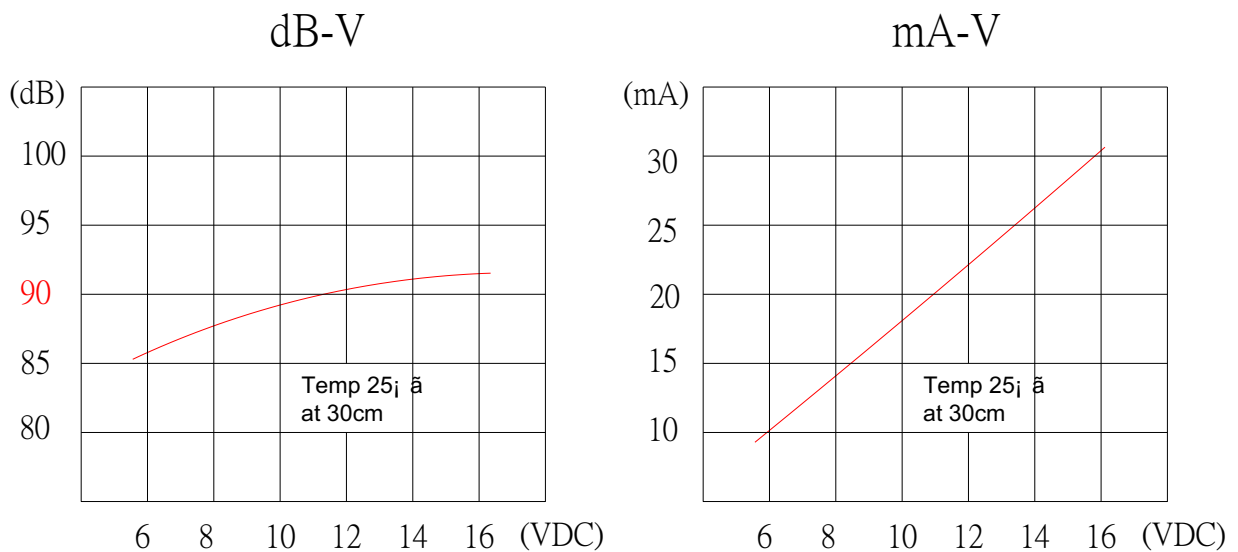
The oscillation frequency, current consumption and sound pressure are measured by the measuring instruments shown below



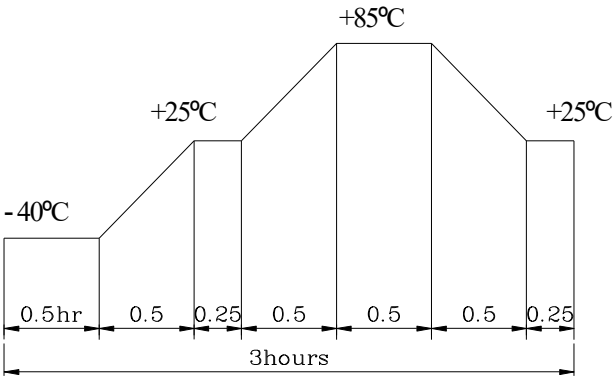
In the measuring test, buzzer is placed as follows:



E. VOLTAGE / CURRENT / SOUND PRESSURE CHARACTERISTICS



F. RELIABILITY TEST

NO.	ITEM	TEST CONDITION AND REQUIREMENT
1	High Temperature Test (Storage)	After being placed in a chamber with 85 2°C for 96 hours and then being placed in normal condition for 2 hours. Allowable variation of SPL after test: 10dB.
2	Low Temperature Test (Storage)	After being Placed in a chamber with -40 2°C for 96 hours and then being placed in normal condition for 2 hours. Allowable variation of SPL after test: 10dB.
3	Humidity Test	After being Placed in a chamber with 90-95% R.H. at 40 2°C for 96 hours and then being placed in normal condition for 2 hours. Allowable variation of SPL after test: 10dB.
4	Temperature Cycle Test	<p>The part shall be subjected to 5 cycles. One cycle shall be consist of :</p>  <p>Allowable variation of SPL after test: 10dB.</p>
5	Drop Test	Drop on a hard wood board of 4cm thick, any directions ,6 times, at the height of 75cm . Allowable variation of SPL after test: 10dB.
6	Vibration Test	After being applied vibration of amplitude of 1.5mm with 10 to 55 Hz band of vibration frequency to each of 3 perpendicular directions for 2 hours . Allowable variation of SPL after test: 10dB.
7	Solderability Test	Lead terminals are immersed in rosin for 5 seconds and then immersed in solder bath of +300 5°C for 3 1 seconds . 90% min. lead terminals shall be wet with solder (Except the edge of terminals).
8	Terminal Strength Pulling Test	The force of 9.8N(1.0kg) is applied to each terminal in axial direction for 10 seconds. No visible damage and cutting off.

TEST CONDITION.

Standard Test Condition	:	a) Temperature : +5 ~ +35°C	b) Humidity : 45-85%	c) Pressure : 860-1060mbar
一般测试条件	:	a) 温度 : +5 ~ +35°C	b) 湿度 : 45-85%	c) 气压 : 860-1060mbar
Judgment Test Condition	:	a) Temperature : +25 ± 2°C	b) Humidity : 60-70%	c) Pressure : 860-1060mbar
争议时测试条件	:	a) 温度 : +25 ± 2°C	b) 湿度 : 60-70%	c) 气压 : 860-1060mbar

G. PACKING STANDARD

Each minimum package unit of products shall be in a carton box and it shall be clearly marked with Part Number, quantity and outgoing inspection number. There shall be no mechanical damage on products during transportation and/or in storage.