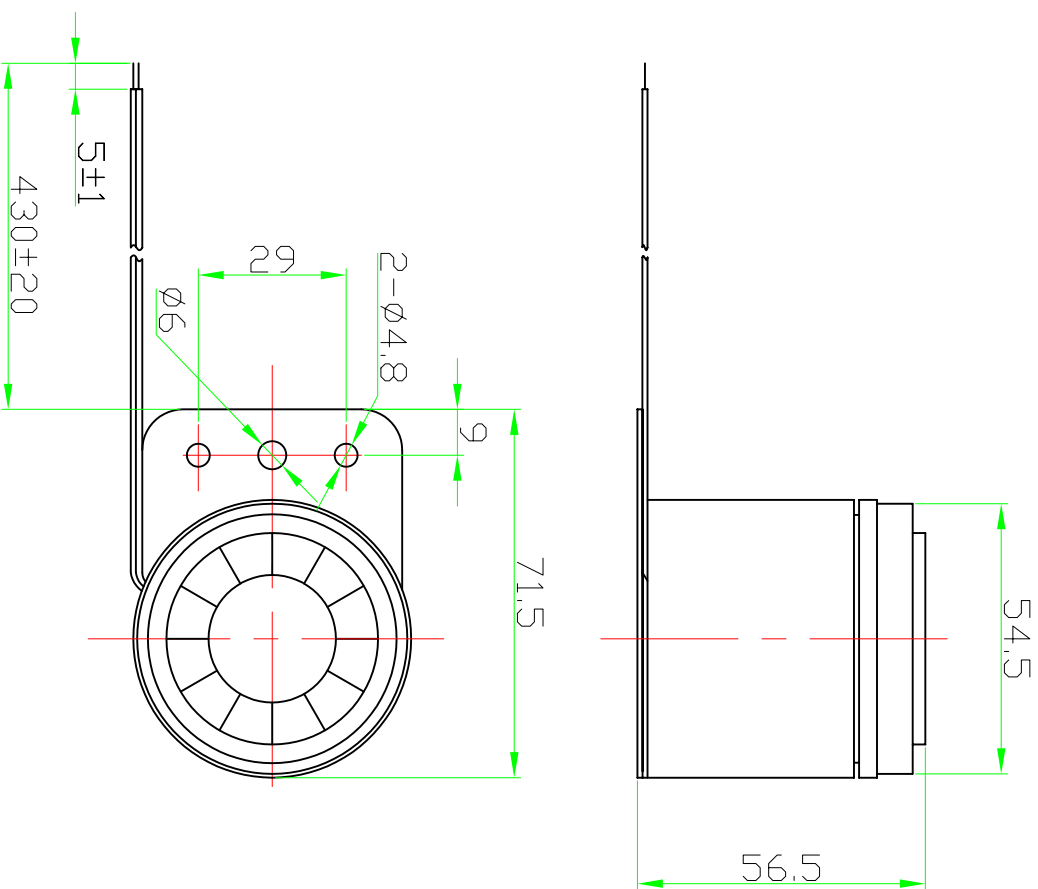


Specification

(Test Condition, 25°C)

1. Housing Material/ Color:..... ABS / Black
2. Voice Coil Impedance 12 Ohm (at 1 KHz)
3. Voice Coil Dimension Ø 0,12 mm(Dia.)
4. Magnet Size Ø24.5*3.5 mm(Dia.*H)
5. Power Rating RMS 10 W
6. Power Rating Peak 15 W
7. Rated Voltage 12 VDC
8. Range Voltage 6-15 VDC
9. S.P.L. min. 105 dB(at 1 meter, 12VDC)
10. Tone Nature Siren
11. Current Draw 300 mA Max.(at 12 VDC)
12. Load Test 8 Hours (at 12 VDC)
13. Heat Test 8 Hours (at 85°C)
14. Operating Temperature range -20 ~ +85°C
15. Wires Connection Red +12V
Black GND
16. Weight 110±10 g



NINGBO SANCO ELECTRONICS CO., LTD.		DATE		SCALE	
DESCRIPTION		APPROVED		10/24/02	
Piezo Siren		DATE		SCALE	
EPS-55		APPROVALS		NOT TO SCALE	
DRAWN		CHECKED		SHEET	
DRAWING NO.		FIRST ANGLE PROJECTION		VER 1.1	
UNIT: mm		APPROVED		SHEET	