

SPECIFICATION FOR APPROVAL

承 认 书

Description : **Piezo Buzzer**

Vender's Part No. : **SPT-1880A-12020**

Customer's. Part No. :

Serial No. : **SAN-3716**

Version No. : **1.1**

CUSTOMER'S APPROVED SIGNATURE		

NINGBO SANCO ELECTRONICS CO., LTD.

Rm724, No.22 Lane38, Furong Road, Ningbo Hi-tech park, Ningbo China

TEL: +86-0574-83851068

FAX: +86-0574-83851096

E-Mail: sales@sancoelectronics.com

Http: //www.sancobuzzer.com

Approved By	Checked By	Made By
	Litao 2022.09.14	Wushao 2022.09.14

A. SCOPE

This specification applies Piezo buzzer, **SPT-1880A-12020**

B. SPECIFICATION

No.	Item	Unit	Specification	Condition
1	Oscillation Frequency	Hz	2000	Square Wave
2	Operating Voltage	Vp-p	1 ~18	
3	Rated Voltage	Vp-p	12	
4	Current Consumption	mA	MAX. 5	at Rated Voltage
5	Sound Pressure Level	dB	MIN. 90	at 10cm at Rated Voltage
6	Electrostatic Capacity	pF	25000±30%	at 100Hz 1V
7	Operating Temperature	°C	-40~ +105	
8	Storage Temperature	°C	-40 ~ +105	
9	Dimension	mm	18x 18 x H8	See appearance drawing
10	Weight (MAX)	gram	3	
11	Housing Material		PPS(Black)	
12	Leading Pin		Plated Brass(Sn)	See appearance drawing
13	Environmental Protection Regulation		RoHS	

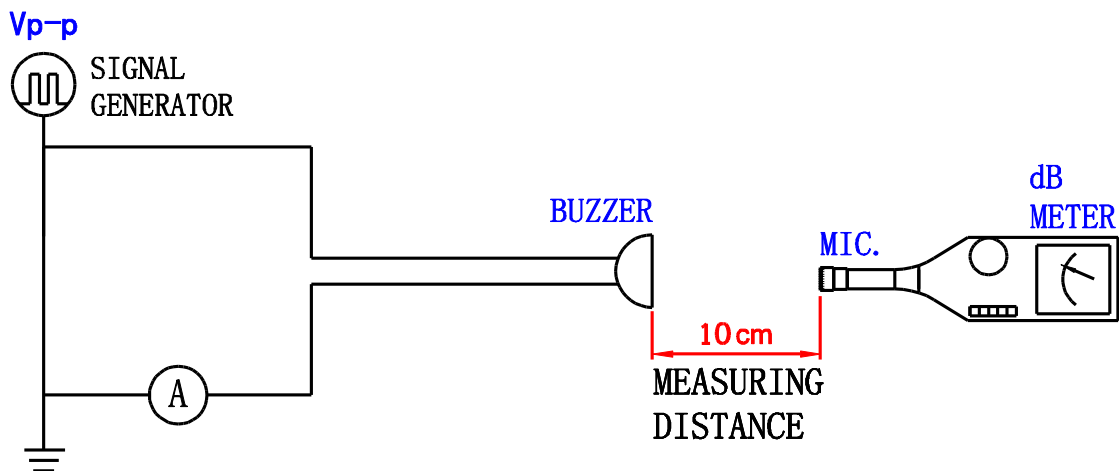
C. TESTING METHOD

Standard Measurement conditions

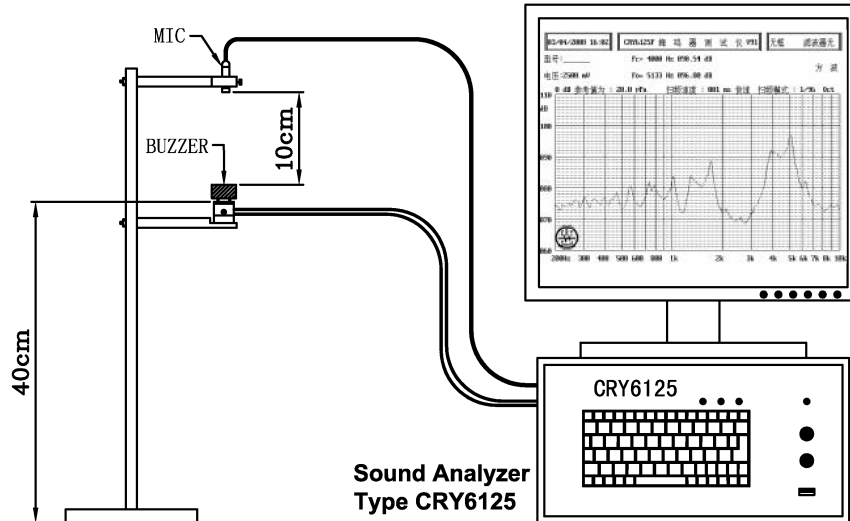
Temperature: $25 \pm 2^{\circ}\text{C}$ Humidity: 45-65%

Acoustic Characteristics:

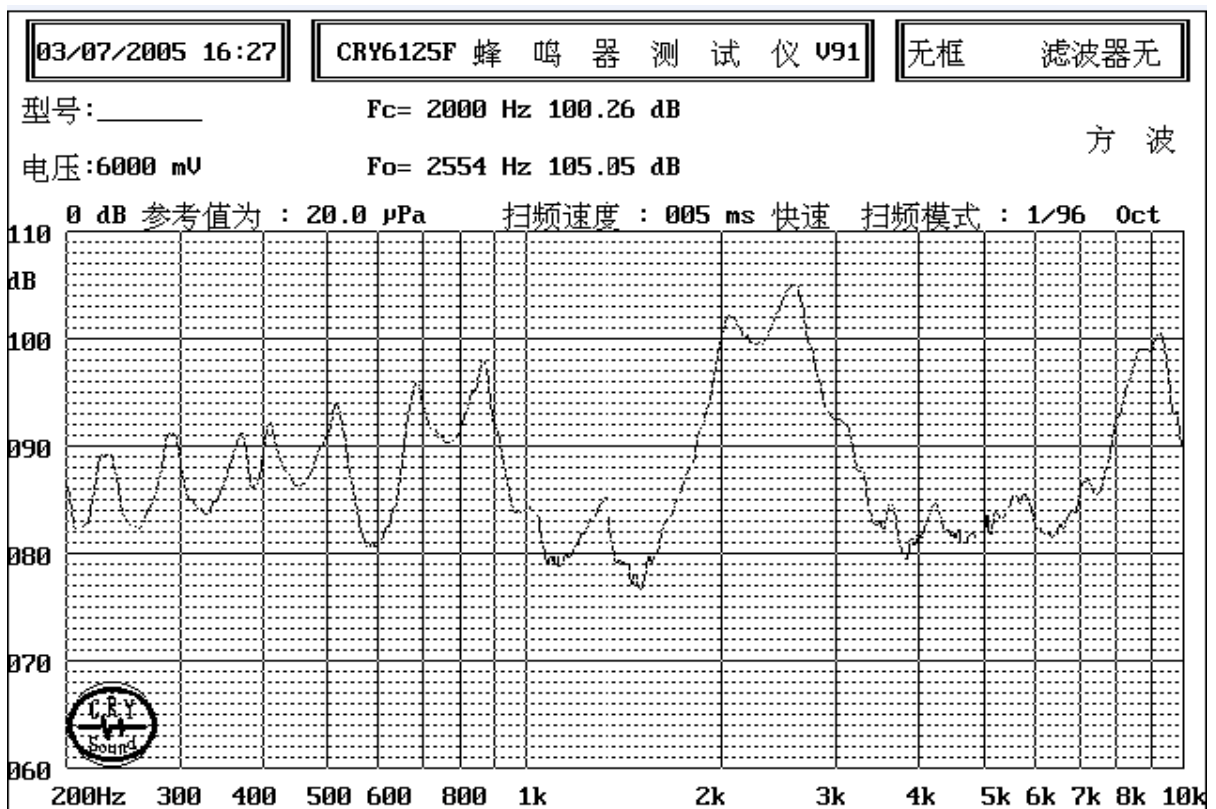
The oscillation frequency, current consumption and sound pressure are measured by the measuring instruments shown below



In the measuring test, buzzer is placed as follows:



D. Typical Frequency Response Curve

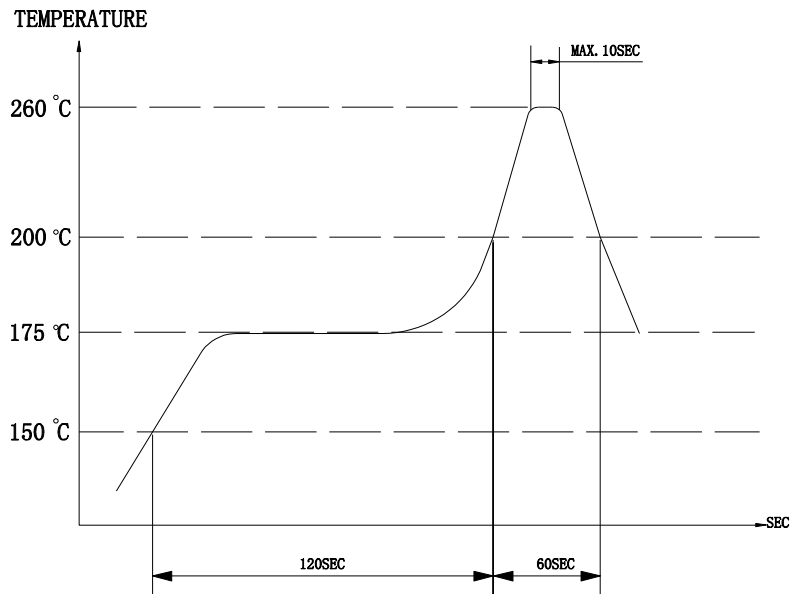


E. Soldering Condition

(1) Recommendable reflow soldering condition is as follows

(Reflow soldering is twice)

Note: It is requested that reflow soldering should be executed after heat of product goes down to normal.



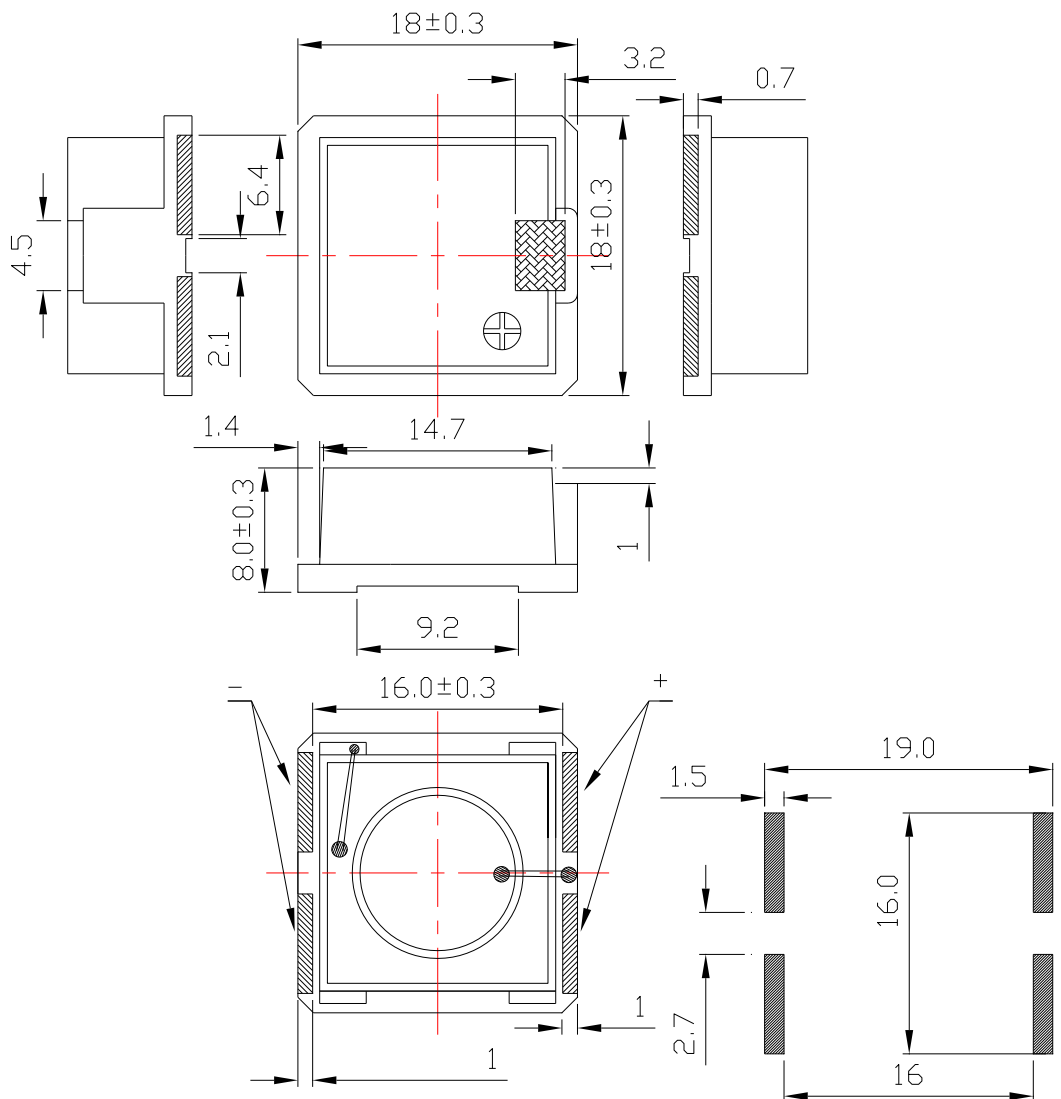
Heat resistant line

(Used when heat resistant reliability test is performed)

(2)Manual soldering

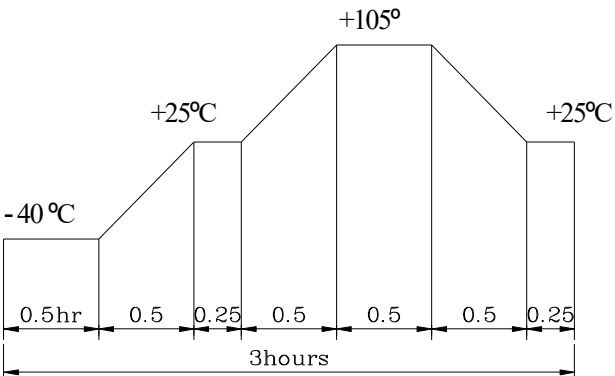
Manual soldering temperature 350 °C within 5 sec.

F. APPEARANCE DRAWING



Tol : ± 0.2 Unit: mm

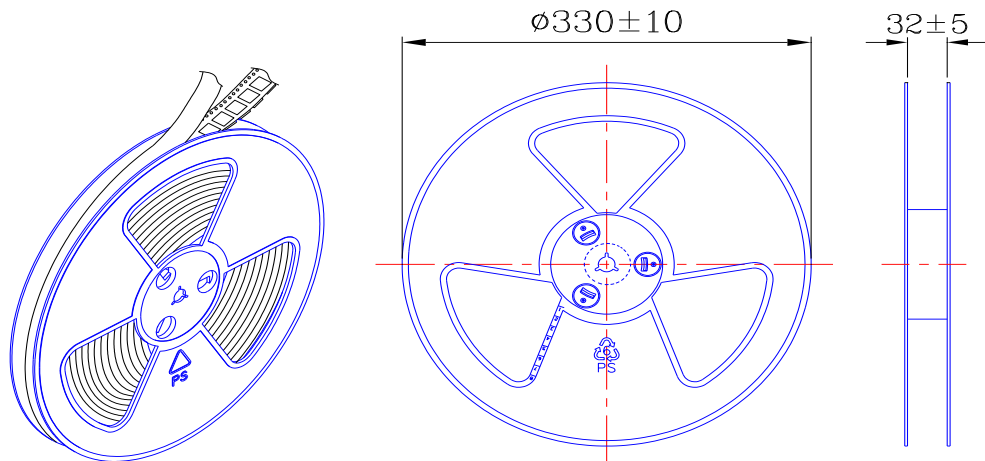
G. RELIABILITY TEST

NO.	ITEM	TEST CONDITION AND REQUIREMENT
1	High Temperature Test (Storage)	After being placed in a chamber with 105±2°C for 96 hours and then being placed in normal condition for 2 hours. Allowable variation of SPL after test: ±10dB.
2	Low Temperature Test (Storage)	After being Placed in a chamber with -40±2°C for 96 hours and then being placed in normal condition for 2 hours. Allowable variation of SPL after test: ±10dB.
3	Humidity Test	After being Placed in a chamber with 90-95% R.H. at 40±2°C for 96 hours and then being placed in normal condition for 2 hours. Allowable variation of SPL after test: ±10dB.
4	Temperature Cycle Test	<p>The part shall be subjected to 5 cycles. One cycle shall be consist of :</p>  <p>Allowable variation of SPL after test: ±10dB.</p>
5	Drop Test	Drop on a hard wood board of 4cm thick, any directions ,6 times, at the height of 75cm . Allowable variation of SPL after test: ±10dB.
6	Vibration Test	After being applied vibration of amplitude of 1.5mm with 10 to 55 Hz band of vibration frequency to each of 3 perpendicular directions for 2 hours . Allowable variation of SPL after test: ±10dB.
7	Solderability Test	Lead terminals are immersed in rosin for 5 seconds and then immersed in solder bath of +300±5°C for 3±1 seconds . 90% min. lead terminals shall be wet with solder (Except the edge of terminals).
8	Terminal Strength Pulling Test	The force of 9.8N(1.0kg) is applied to each terminal in axial direction for 10 seconds. No visible damage and cutting off.

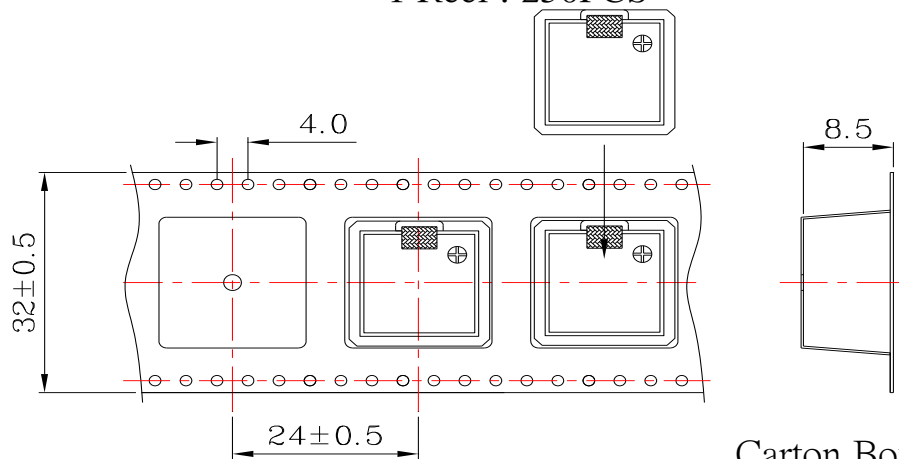
TEST CONDITION.

Standard Test Condition	:	a) Temperature : +5 ~ +35°C	b) Humidity : 45-85%	c) Pressure : 860-1060mbar
一般测试条件	:	a) 温度 : +5 ~ +35°C	b) 湿度 : 45-85%	c) 气压 : 860-1060mbar
Judgment Test Condition	:	a) Temperature : +25 ± 2°C	b) Humidity : 60-70%	c) Pressure : 860-1060mbar
争议时测试条件	:	a) 温度 : +25 ± 2°C	b) 湿度 : 60-70%	c) 气压 : 860-1060mbar

H. PACKING STANDARD

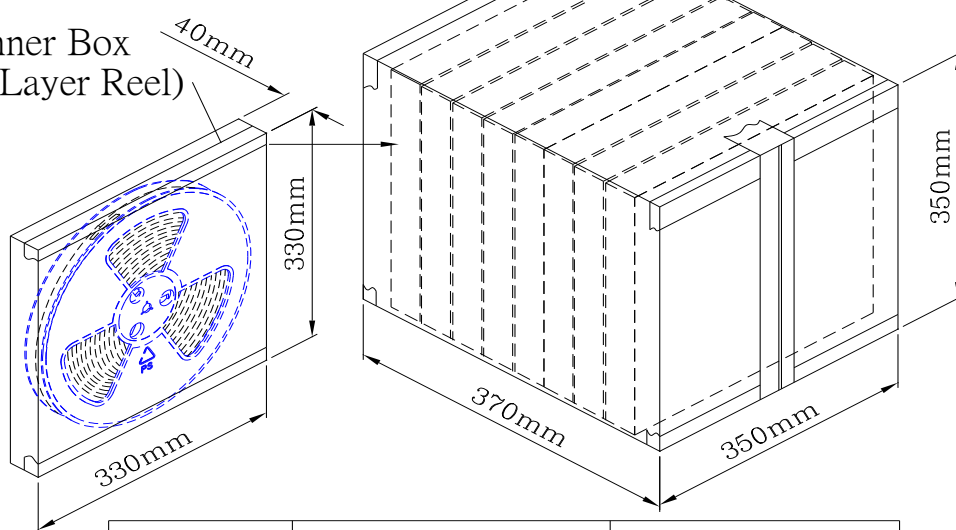


1 Reel : 250PCS



Carton Box
(8 Inner Box)

Inner Box
(1 Layer Reel)



Inner Box	330mmx330mmx40mm	1x250PCS=250PCS
Carton Box	350mmx350mmx370mm	8x250PCS=2000PCS

Revision History

Revised Item	Before	After	Date	Amender	Approval
1. Tolerance of Drawing			2018/4/13	Wushao	
2. Tape quantity	200PCS	250PCS	2019.11.13	Litao	
3. Capacitance	20000pF	25000pF	2022.09.14	Litao	