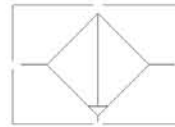


Ordering Code

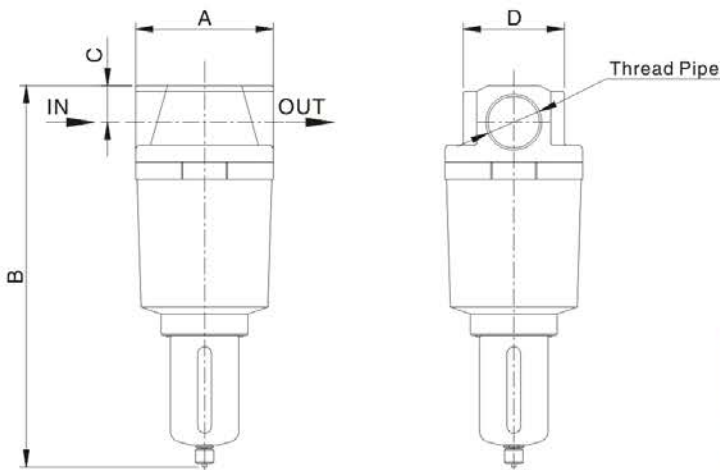
SF	-	A	-	F	-	9	-	00	-	20
Company Name		Series		Function F: Filter		Body Size 8: NPT1 1/2" 9: NPT2"		Drain Type 00: No Auto Drain 11: Auto Drain		Thread Pipe 15: NPT1 1/2" 20: NPT2"



Graphic Symbol



Overall Dimension



Model	Thread Pipe	mm(inch)			
		A	B	C	D
AF900-20	NPT2"	200.5 (7.893)	517.5 (20.374)	47 (1.850)	91 (3.582)
AF800-15	NPT1 1/2"	120 (4.724)	331 (13.031)	31.5 (1.240)	88 (3.464)

Specification

Model	AF900-20	AF800-15
Thread Pipe	NPT2"	NPT1 1/2"
Rating Flow(L/min)	20000	12000
Max. Working Pressure	1.0 Mpa(145Psi)	
Operating Temperature	-5~60°C (Not Frozen) (22-140°F)	
Filter Precision	5um 2-50um	0.3um
Protective Cover	Yes	