

L.DOW
—— 拉丁湾 ——





INTRODUCTION

Intelligent furniture

that can be individually combined to create exciting colour highlights.

The products we supply including high pure acrylic bath products, such as bathtub, floor offer in shower room, sorts of bason, bathroom cabinet, up-scale sprinkler, and pendant etc.. The advantages of these products are environmental, impact resistance, high hardness, nice feeling, nonradiative, easy cleaning. It is so particularly that we had manufactured the first technology in worldwide called high pressure pre-embedded water product which can integrate the bath equipment perfectly, and it's obtained several patents. Our products are ideal to hotels and villas.

contents

CONTENTS 01-02		INTRODUCTION 03-10		PRODUCTS 11-70		TECHNICAL DATA 71-76
-------------------	--	-----------------------	--	-------------------	--	-------------------------

Using our quality products and services from LDOW, you can concentrate on your business without worrying about power supply problems. We would cooperate closely with you to the mutual benefit of.

>>>>>>>>>>>>>>

DURABILITY



SUPERIOR FINISH

High polymer material is a unique structure which enables dolomite stone to attain a whole new level of durability in the bathroom.

The dolomite stone is reinforced with a flexible binder of resin which ensures resistance under load, damage from impact and the effects of high and low temperatures. It guarantees security of transport, installation and everyday use. Products remain in a brand-new condition for many years.

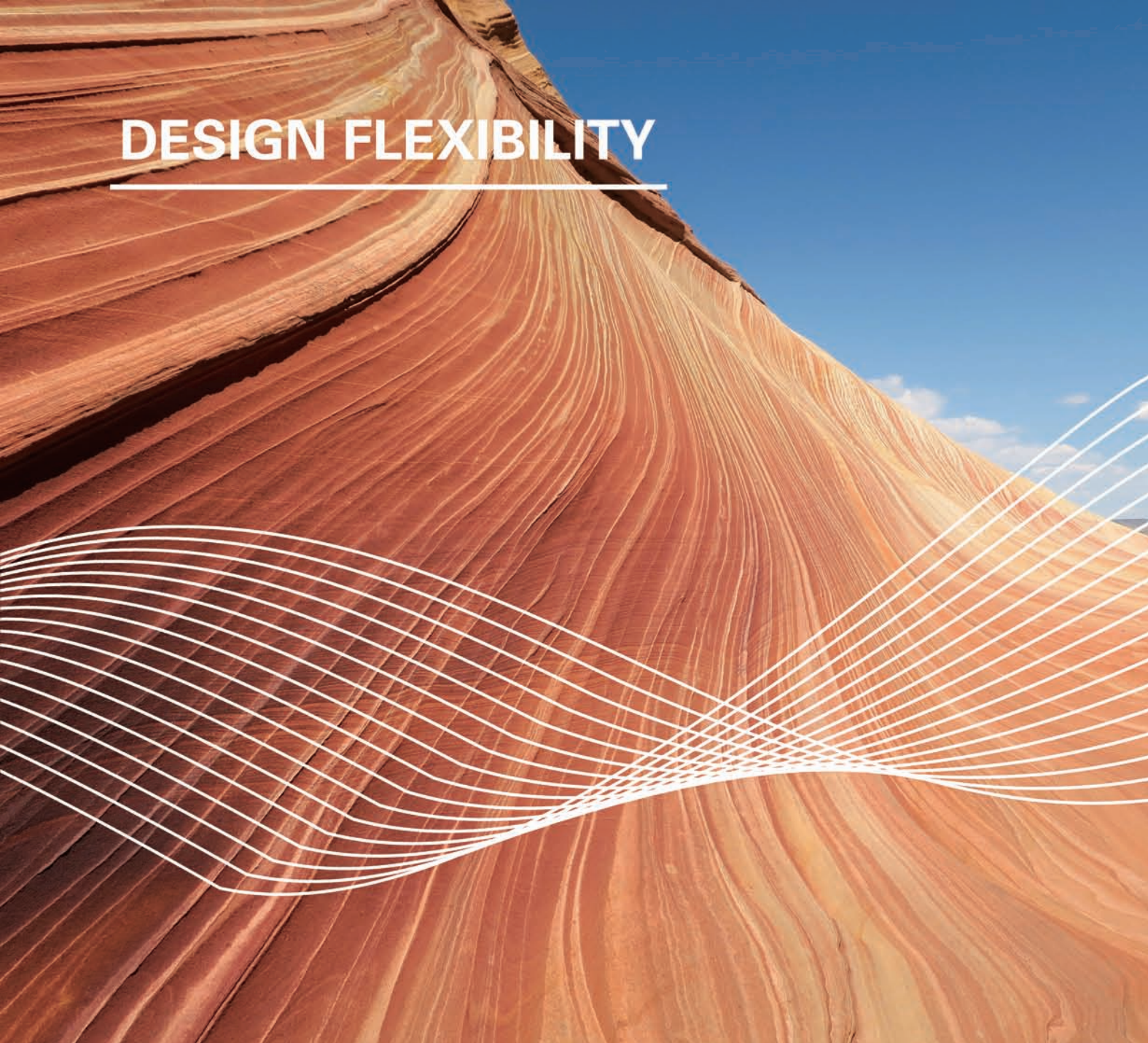


Just one touch and you'll feel the nature inherent in our material.

Bathtubs, washbasins and shower trays made from Mineral Composite are pleasant to the touch and have a smooth finish. They are resistant to even the most extreme conditions due to the inherent strength of the gelcoat surface. Its insusceptibility to bacterial growth, absorption of water and chemical substances, ensures a long lasting quality and ease of care.

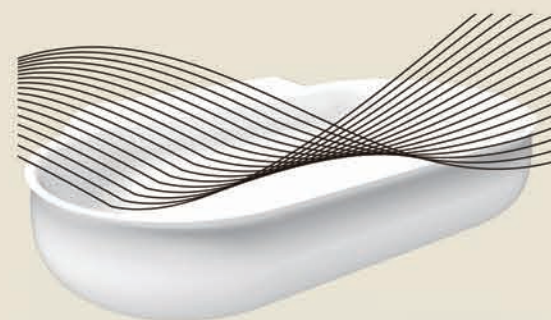


DESIGN FLEXIBILITY



High polymer material is a material that liberates creativity.

Its extraordinary properties allow for unlimited design possibilities. The material innovative structure gives freedom of form, therefore countless designs are available. It offers variety of absolutely unique shapes in classic and modern style. Natural stone surfaces and thin walls are the elements of excellence that set Mineral Composite apart.

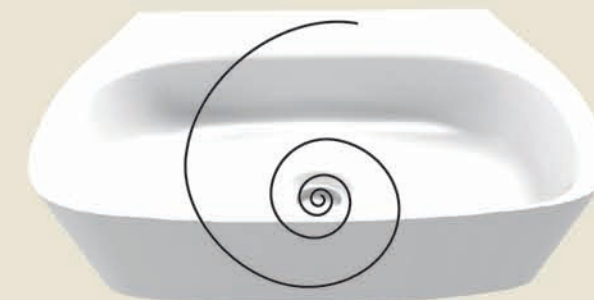


PRECISION



High polymer material is precise by its very nature.

With a 0-to-3 mm tolerance, and or a minimum radius of 2 mm, the material enables an extensive range of shapes to be created that frees up the imagination of designers. The liquid mixture of dolomite and resin fill every detail of a mould, perfectly reproducing the design. Radii, dimensions and edges cease to be a challenge and material. Perfect fit to furniture and shower enclosures go beyond any other traditional material.

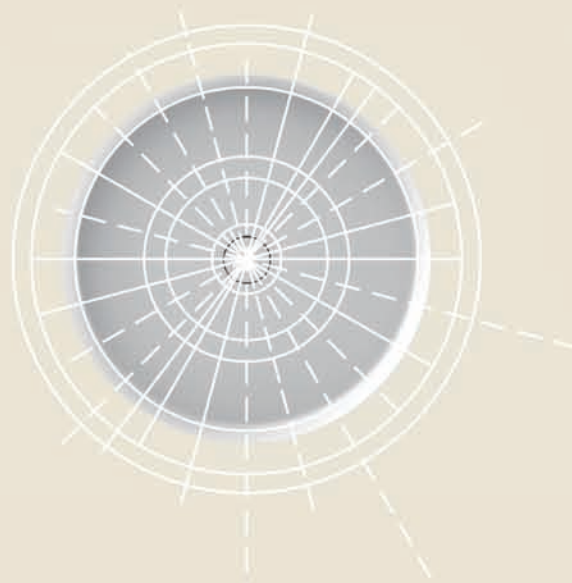




WARMTH

High polymer material is precise by its very nature.

With a 0-to-3 mm tolerance, and or a minimum radius of 2 mm, the material enables an extensive range of shapes to be created that frees up the imagination of designers. The liquid mixture of dolomite and resin fill every detail of a mould, perfectly reproducing the design. Radii, dimensions and edges cease to be a challenge and material. Perfect fit to furniture and shower enclosures go beyond any other traditional material.



ACOUSTIC ABSORPTION



High polymer material offers exceptional acoustic absorption.

This feature comes from high particle density contained in the material. It prevents the sound of water striking a surface, and so improves living comfort and convenience of use significantly.





ABOUT US

Zhengzhou LaDingWan Sanitary Ware CO.,LTD. is a export trade manufacturer integrating R&G, production, sales and service. The factory was founded with total investment of RMB 120 million special for defend bath products used by high pure acrylic artificial stone, the quantity of annual products can achieve 300,000. The factory is located in the hinterland of the Central Plains, where is abound in various natural artificial stone materials with high-quality, such as silicon crystals, quartz and aluminum hydroxide. The place is nearly by the Yellow River , Songshan Shaolin Temple known in the worldwide, and Zhengzhou, capital of Henan Province. There are six high-way roads around, whether the products are transported by sea or air, they can arrive in harbour within one day due to the convenient transportation and extend in all directions. We strive for survival with quality, develop with honesty, every customers can enjoy quality service.

PRODUCTS



WASHBASINS



WB 0001

Product number:
800195612101



WB 0002

Product number:
800195612102





WB 0003

Product number:
800195612103





WB 0004

Product number:
800195612104





WB 0005

Product number:
800195612105



WB 0006

Product number:
800195612106



WB 0008

Product number:
800195612108



WB 0007

Product number:
800195612107



WB 0009

Product number:
800195612109



WB 0010

Product number:
800195612110





WB 0011

Product number:
800195612111



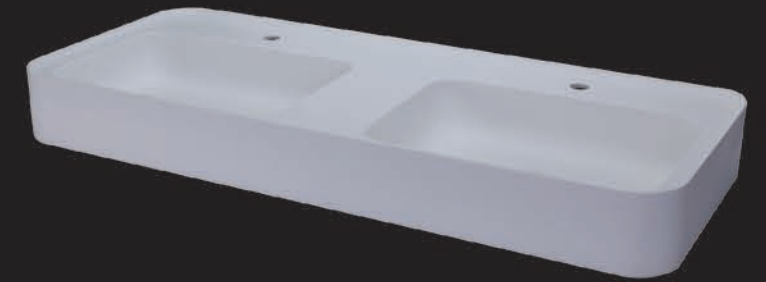


WB 0012

Product number:
800195612112

WB 0015

Product number:
800195612115



WB 0013

Product number:
800195612113



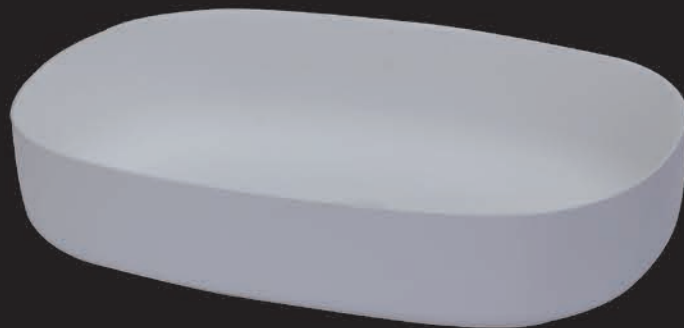
WB 0016

Product number:
800195612116



WB 0014

Product number:
800195612114



WB 0017

Product number:
800195612117





WB 0018

Product number:
800195612118

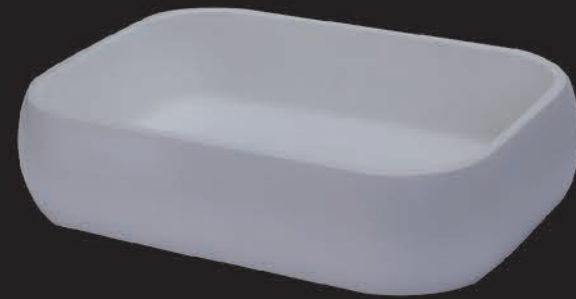
WB 0021

Product number:
800195612121



WB 0019

Product number:
800195612119



WB 0022

Product number:
800195612122



WB 0020

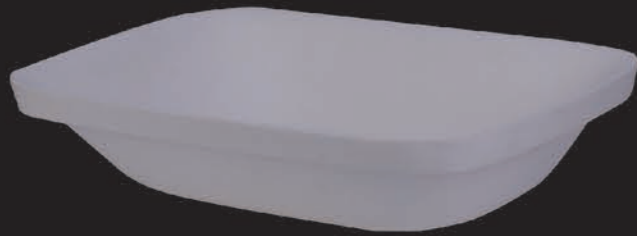
Product number:
800195612120



WB 0023

Product number:
800195612123





WB 0024

Product number:
800195612124

WB 0027

Product number:
800195612127



WB 0025

Product number:
800195612125



WB 0028

Product number:
800195612128



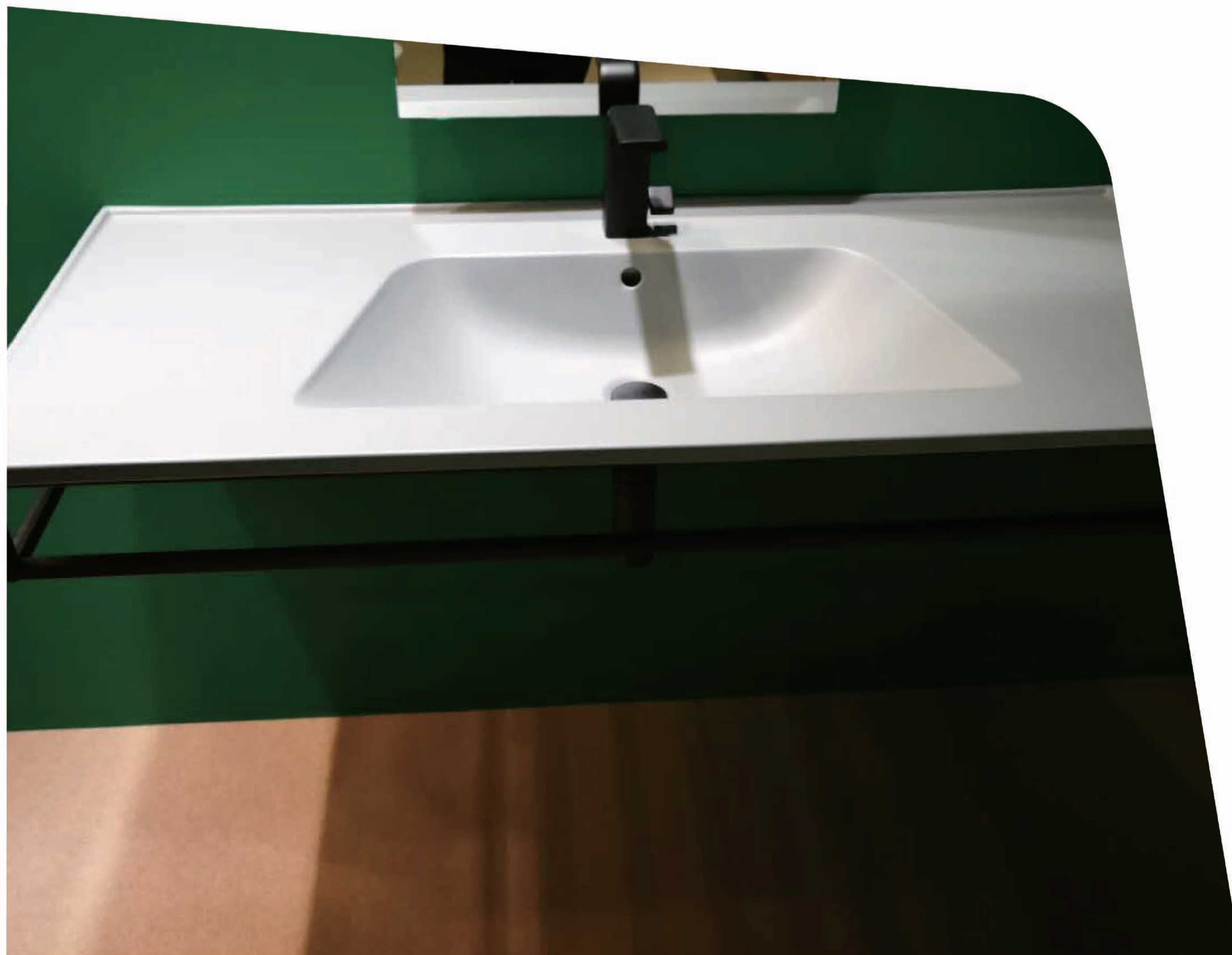
WB 0026

Product number:
800195612126

WB 0029

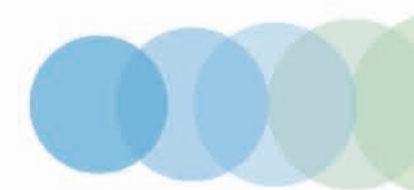
Product number:
800195612129





WB 0030

Product number:
800195612130



PRODUCTS

BASHTUBS





BT 0001

Product number:
500561913101





BT 0002

Product number:
500561913102







BT 0003

Product number:
500561913103



BT 0004

Product number:
500561913104

PRODUCTS



SHOWER

SH 0001

Product number:
600982192101





SH 0002

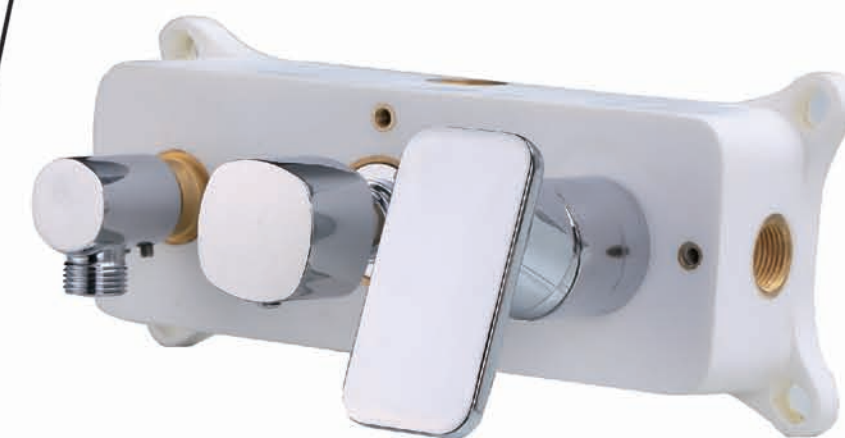
Product number:
600982192102





SH 0003

Product number:
600982192103





SH 0004

Product number:
600982192104





SH 0005

Product number:
600982192105





SH 0006

Product number:
600982192106



SH 0007

Product number:
600982192107



SH 0009

Product number:
600982192109



SH 0008

Product number:
600982192108



SH 0010

Product number:
600982192110

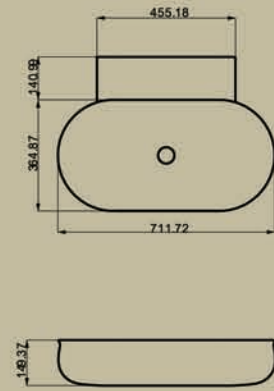




**TECHNICAL
DATA**

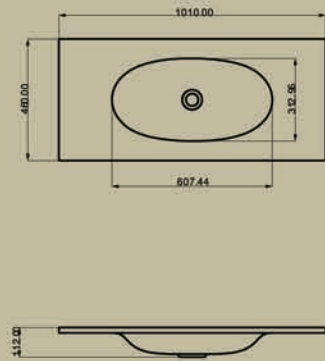
WB 0001

Product number:
800195612101



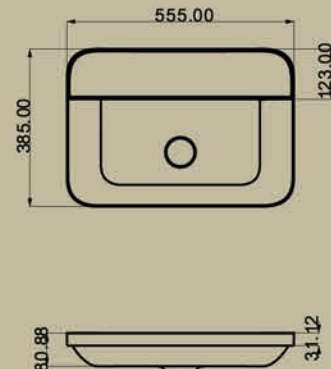
WB 0005

Product number:
800195612105



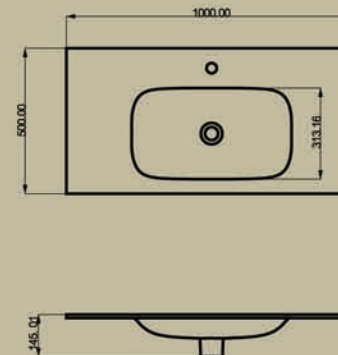
WB 0006

Product number:
800195612106



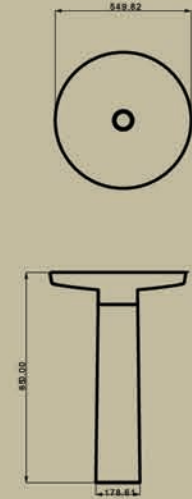
WB 0010

Product number:
800195612110



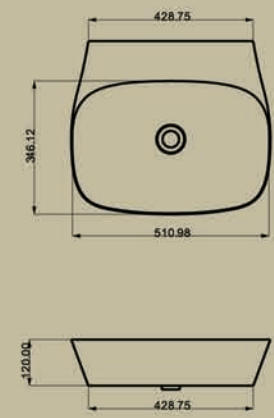
WB 0011

Product number:
800195612111



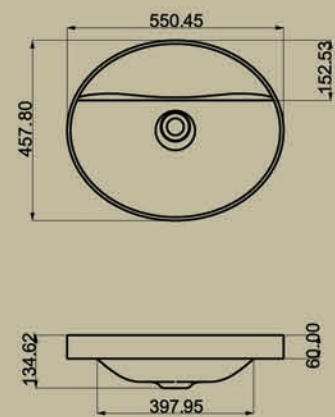
WB 0007

Product number:
800195612107



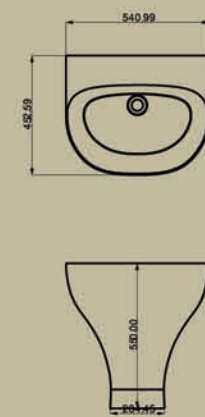
WB 0008

Product number:
800195612108



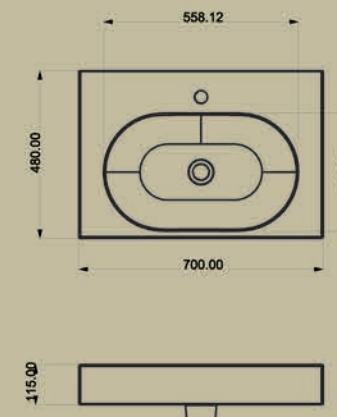
WB 0009

Product number:
800195612109



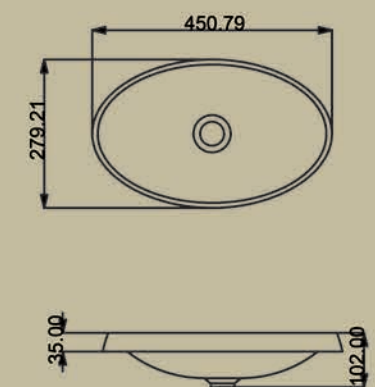
WB 0012

Product number:
800195612112



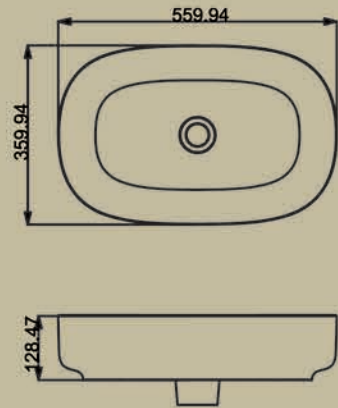
WB 0013

Product number:
800195612113



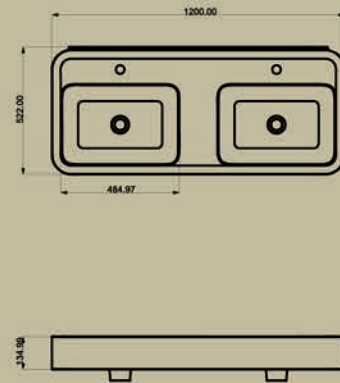
WB 0014

Product number:
800195612114



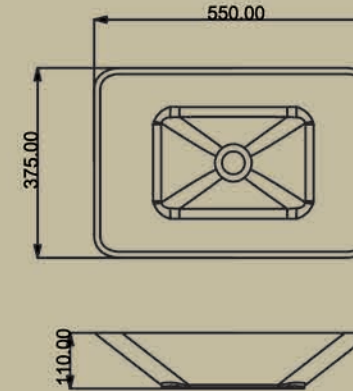
WB 0015

Product number:
800195612115



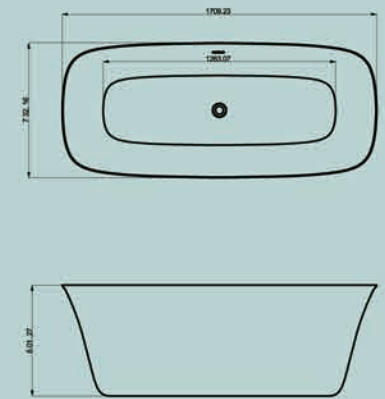
WB 0021

Product number:
800195612121



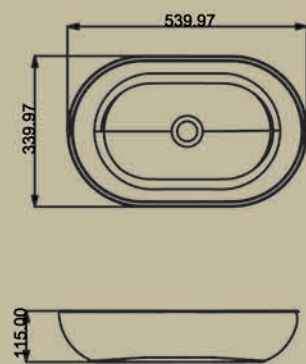
BT 0001

Product number:
500561913101



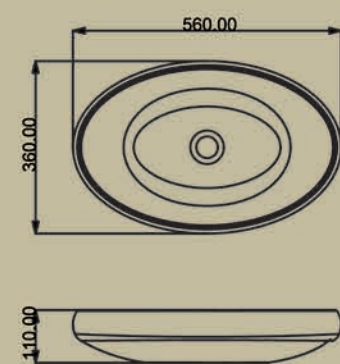
WB 0017

Product number:
800195612117



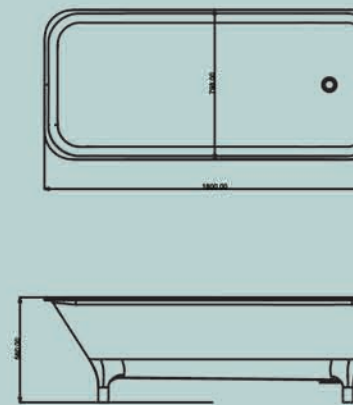
WB 0013

Product number:
800195612113



BT 0002

Product number:
500561913102



BT 0004

Product number:
500561913104

