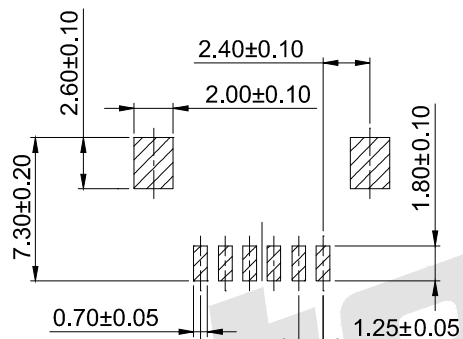
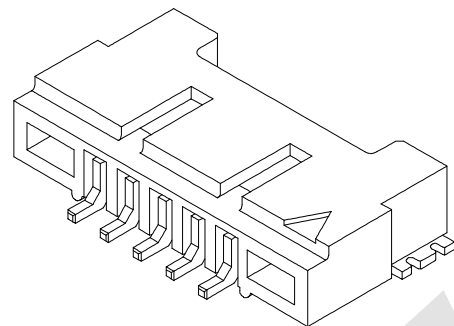


HSF



SPECIFICATIONS

- Voltage rating: 150V AC,DC
- Current rating: 1A AC,DC
- Withstanding Voltage: 500V AC/minute
- Insulation resistance: 500MΩ min
- Temperature range: -40℃~+105℃

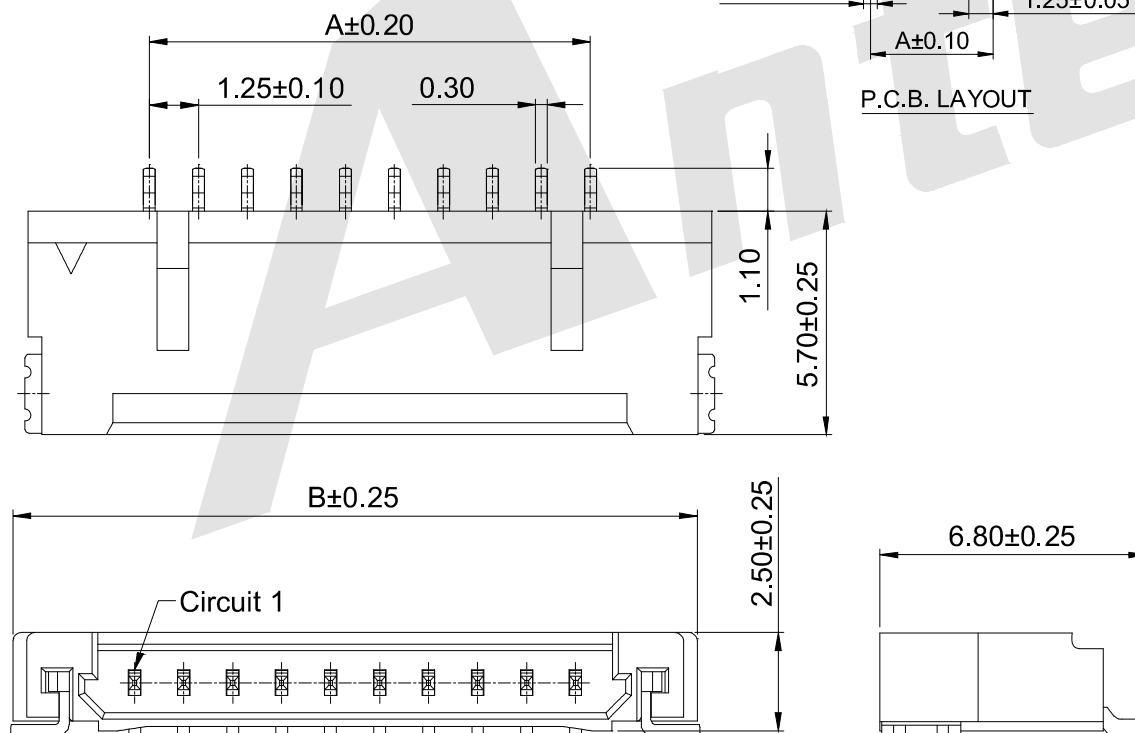
WAFER

- Part NO: AW1255R-S-xP
- Material: Pin: Brass/Tin over Nickel  
Solder Tabs: Brass/Tin over Nickel  
Insulator: Nylon 9T, UL94V-0
- Mates with: AH1255 series Housing
- Color: Ivory

Ordering Information & Dimensions:

Poles	Part No.	Dimensions(mm)	
		A	B
02	AW1255R-S-02P	1.25	7.45
03	AW1255R-S-03P	2.50	8.70
04	AW1255R-S-04P	3.75	9.95
05	AW1255R-S-05P	5.00	11.20
06	AW1255R-S-06P	6.25	12.45
07	AW1255R-S-07P	7.50	13.70
08	AW1255R-S-08P	8.75	14.95
09	AW1255R-S-09P	10.00	16.20
10	AW1255R-S-10P	11.25	17.45
11	AW1255R-S-11P	12.50	18.70
12	AW1255R-S-12P	13.75	19.95
13	AW1255R-S-13P	15.00	21.20
14	AW1255R-S-14P	16.25	22.45
15	AW1255R-S-15P	17.50	23.70
20	AW1255R-S-20P	23.75	29.95
25	AW1255R-S-25P	30.00	36.20
30	AW1255R-S-30P	36.25	42.45

Unit:mm



Unless Otherwise specified tolerance  
 X. ±0.35 X.XX: ±0.20  
 X.X: ±0.25 X.XXX: ±0.15

**Antenk**® ANTENK ELECTRONICS CO., LTD  
[Http://www.antenk.com](http://www.antenk.com)  
 E-mail:sales@antenk.com

SCALE: As Shown UNIT: mm  
 DRAW Jack Bao DATE 11/24/2017  
 CHECK Bob Yang DATE 11/24/2017

TITLE: 1.25mm pitch 90° Wafer-SMT Without Boss Connector Series



DRAWING NO: AW1255R-S-xP

PRODUCT NO: AW1255R-S-xP

REV	DESCRIPTION	DATE