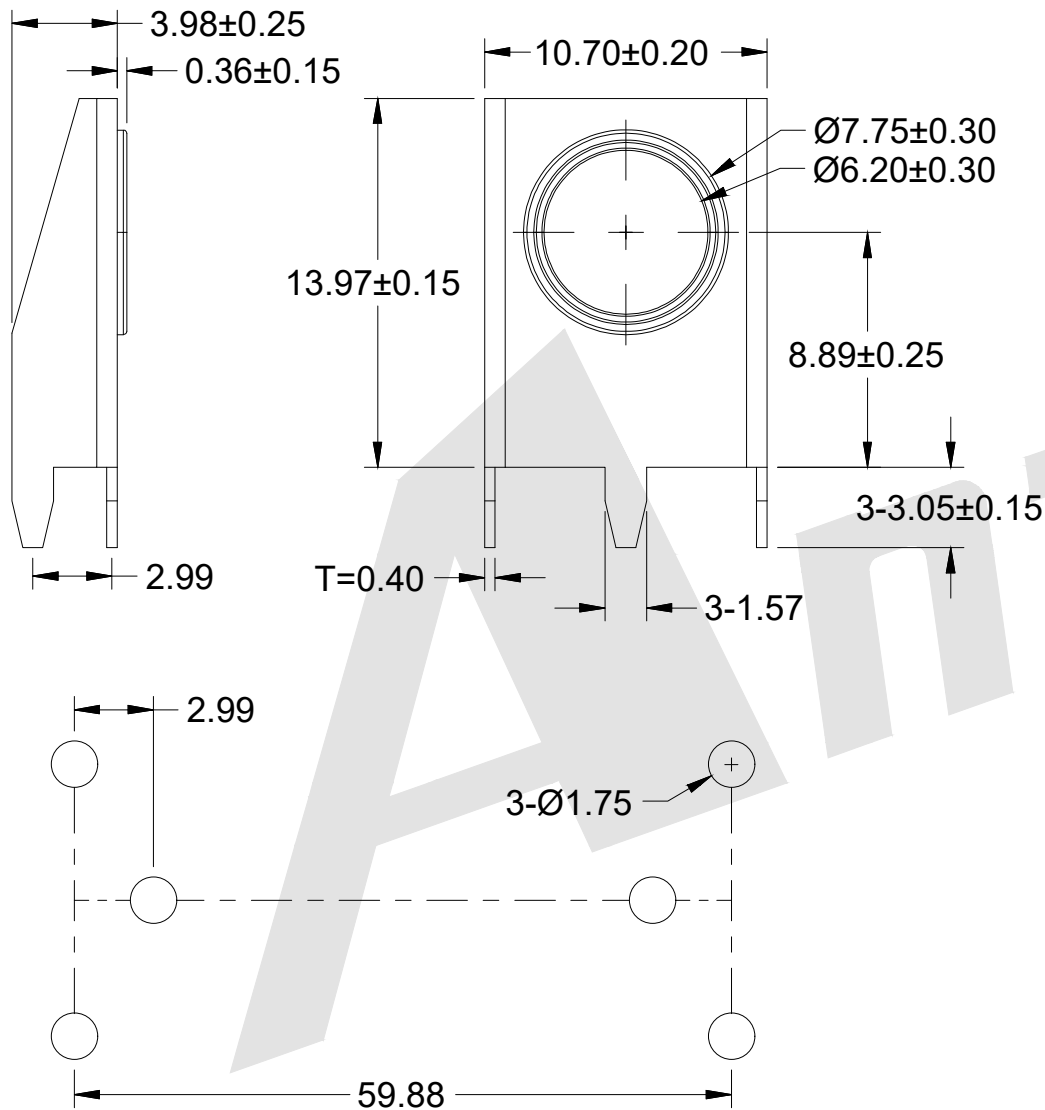


HSF



NOTES:

- 1. RoHS COMPLIANT
- 2. 500PCS/BAG
- 3. Mate with 728

Order code:

BS - S - NI - B - 695
 ① ② ③ ④ ⑤

- ① BS: Battery contacts
- ② Apperance for the product

S: 180 TYPE

- ③ Contact Plating
 NI: NICKEL Plated
 SN: Tin
 G0: GOLD flash
 G1: 3U" Gold
 G2: 5U" Gold
 G3: 10U" Gold
 G4: 15U" Gold
 G5: 30U" Gold

- ④ Packing method
 B: BAG

- ⑤ Product number:
 695

FOR "AA" MOUNTING DETAIL

Unless Otherwise specified tolerance
 X.±0.35 X.XX:±0.20
 X.X:±0.25 X.XXX:±0.15

SCALE: As Shown UNIT: mm
 DRAW ZLA DATE 06/19/2023
 CHECK BobYang DATE 06/19/2023

VER./版本号 3rd ANGLE PROJECTION

Antenk ANTENK ELECTRONICS CO.,LTD
 Http://www.antenk.com
 E-mail:sales@antenk.com

TITLE: AA POSITIVE BATTERY CONTACT

DRAWING NO: BS-S-NI-B-695

PRODUCT NO: BS-S-NI-B-695

MK/标记

DESCRIPTION/修订内容

DATE/日期(M/D/Y)