

HSF



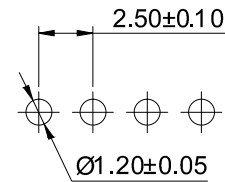
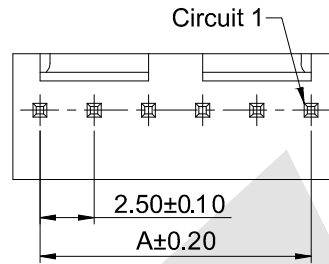
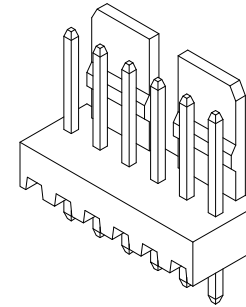
ROHS

SPECIFICATIONS

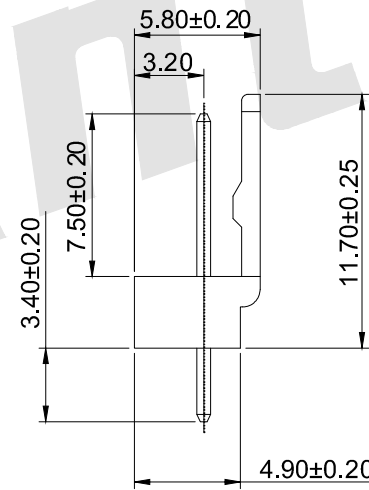
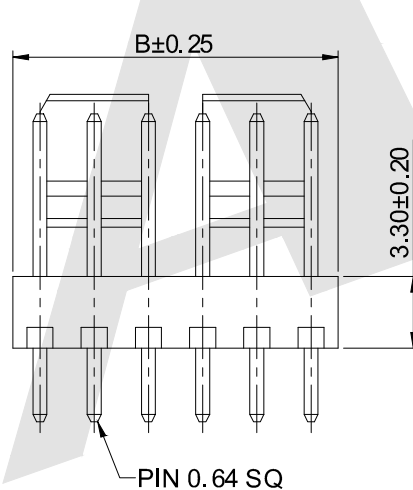
- Current rating: 3A AC/DC
- Voltage rating: 250V AC/DC
- Withstanding Voltage: 1000V AC/minute
- Insulation resistance: 1000MΩ Min
- Temperature range: -40°C~+105°C
- Compliant with RoHs and REACH

HOUSING

- Part NO.: CW2504V-XP
- Material: Pin: Brass/Tin over Nickel  
Insulator: Nylon 66, UL94v-0
- Mates with CH2504 series Housing
- Color: Beige



P.C.B LAYOUT



Ordering Information & Dimensions:

PART NO.	Dimensions	
	A	B
CW2504V-2P	2.50	5.00
CW2504V-3P	5.00	7.50
CW2504V-4P	7.50	10.00
CW2504V-5P	10.00	12.50
CW2504V-6P	12.50	15.00
CW2504V-7P	15.00	17.50
CW2504V-8P	17.50	20.00
CW2504V-9P	20.00	22.50
CW2504V-10P	22.50	25.00
CW2504V-11P	25.00	27.50
CW2504V-12P	27.50	30.00
CW2504V-13P	30.00	32.50
CW2504V-14P	32.50	35.00
CW2504V-15P	35.00	37.50
CW2504V-16P	37.50	40.00
CW2504V-17P	40.00	42.50
CW2504V-18P	42.50	45.00
CW2504V-19P	45.00	47.50
CW2504V-20P	47.50	50.00

Unit: mm

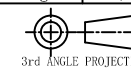
Unless Otherwise specified tolerance  
 X. ±0.35 X.XX: ±0.20  
 X.X: ±0.25 X.XXX: ±0.15



ANTENK ELECTRONICS CO., LTD  
[Http://www.antenk.com](http://www.antenk.com)  
 E-mail:sales@antenk.com

SCALE: As Shown	UNIT: mm
DRAW Jack Bao	DATE 7/9/2018
CHECK Bob Yang	DATE 7/9/2018

TITLE: 2.50mm pitch 180° Wafer Connector Series



DRAWING NO: CW2504V-XP  
 PRODUCT NO: CW2504V-XP

REV	DESCRIPTION	DATE