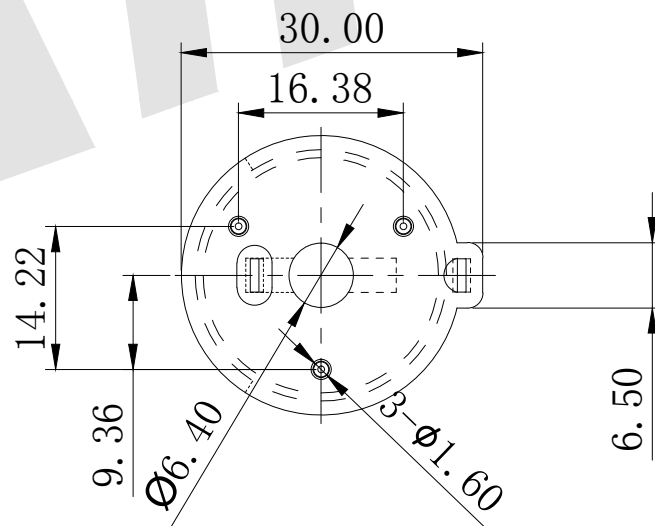
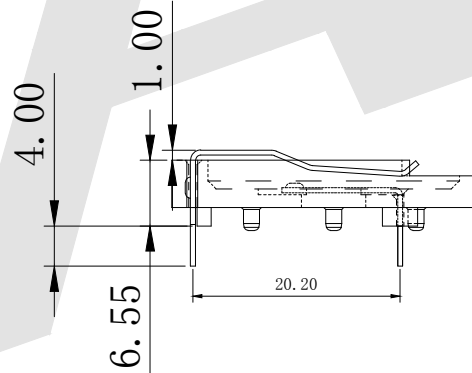
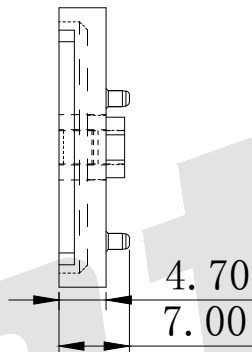
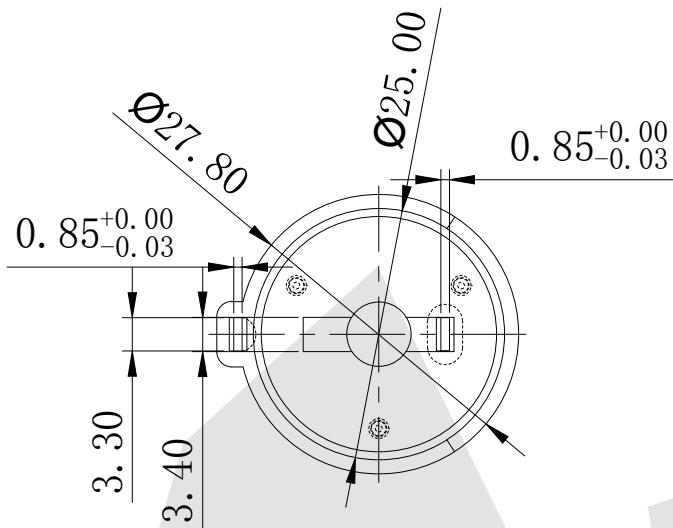
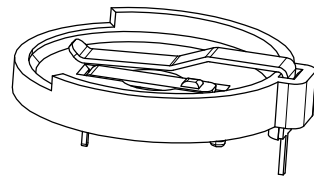


HSF



Autodesk



NOTE:

1, Material:

a. Housing: PA BK V0 GF30.15

b. Contact: C2680

(Surface Plating: Sn 10u")

See Ordering Information

2, Electric:

a. Contact Resistance: 30 Milliohms Max

b. Insulation Resistance: 1000 MEGA OHMS Min

c. Dielectric Voltage: 500V AC One Sea Level

d. Operating Temperature: -55° To 105°

Order code:

BT - S - SN - R - CR2430D
 ① ② ③ ④ ⑤

① BT: Coin Cell Holders

② Appearance for the product

M: SMT TYPE

S: 180 TYPE

R: 90 TYPE

③ Contact Plating
R - CR2430D

SN: Tin

G0: Gold flash

G1: 3U" Gold

G2: 5U" Gold

G3: 10U" Gold

G4: 15U" Gold

G5: 30U" Gold

④ Packing method

A: Tray packing

R: Tape & reel packing

⑤ Product number
CR2430D

Unless Otherwise specified tolerance
 X. ±0.35 X.XX: ±0.20
 X.X: ±0.25 X.XXX: ±0.15

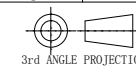
SCALE: As Shown	UNIT: mm
DRAW Wu Feng Rong	DATE 10/01/2020
CHECK BobYang	DATE 01/13/2019

Antenk® ANTENK ELECTRONICS CO., LTD
 Http://www.antenk.com
 E-mail:sales@antenk.com

TITLE:
Coin Cell Holders For CR2430

DRAWING NO: BT-M-SN-R-CR2430D

PRODUCT NO: BT-M-SN-R-CR2430D



REV	DESCRIPTION	DATE
1		
2		
3		
4		

Autodesk

6

7

8