



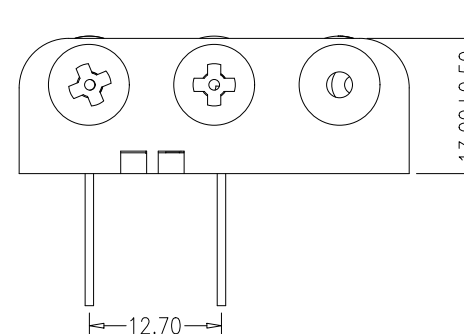
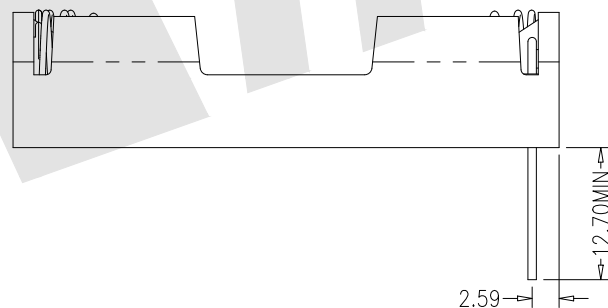
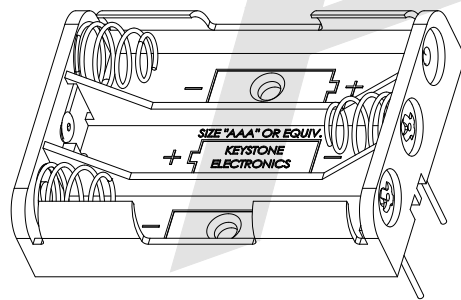
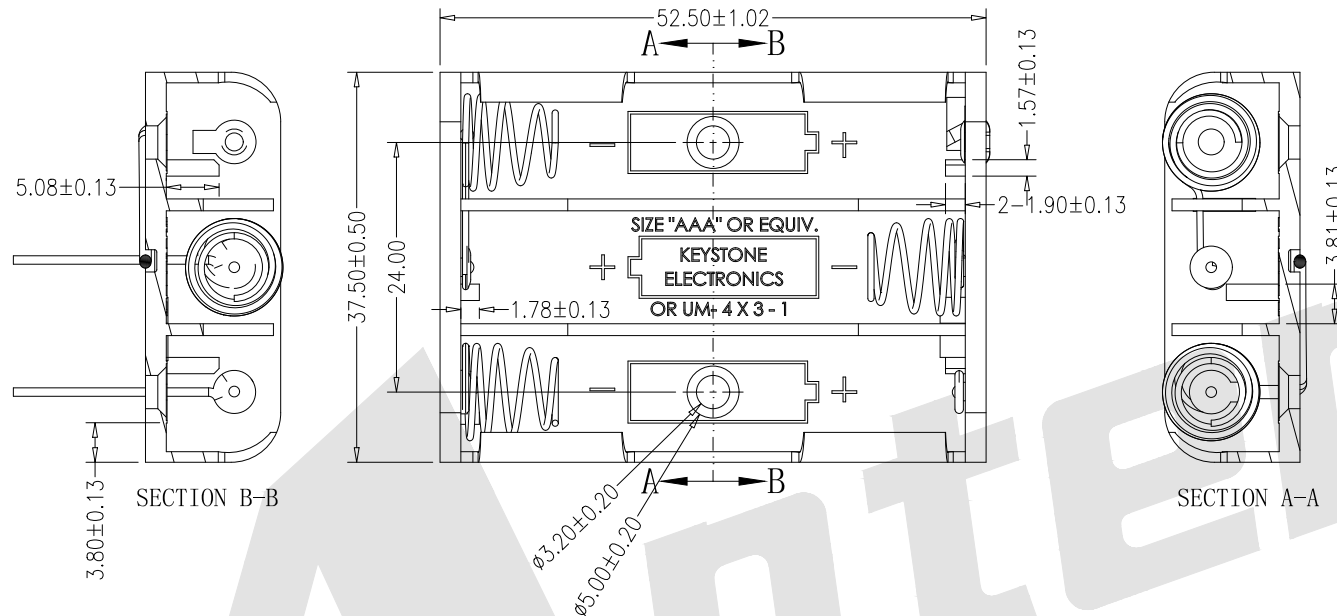
NOTES:

- 1、HOLDER MATERIAL:POLYPROPYLENE.
- 2、SPRING MATERIAL:MUSIC WIRE, 0.6DIA  
FINISH:NICKEL PLATED
- 3、SOLDER LEG:MATERIAL-BRASS, 0.8DIA  
FINISH-NICKEL PLATED

Ordering Code:

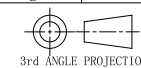
BBA - 7 - 3 - B - P - 479  
 ①      ②      ③      ④      ⑤      ⑥

- ① BBA:Battery Holders
- ② BATTERY TYPE  
7: AAA SIZE
- ③ BATTERY NUMBERS  
3: 3 piece
- ④ Packing  
A:TRAY    B:BAG
- ⑤ P:With Pins
- ⑥ Series Number  
479



Unless Otherwise specified tolerance  
 X. ±0.35    X.XX: ±0.20  
 X.X: ±0.25    X.XXX: ±0.15

SCALE: As Shown    UNIT: mm  
 DRAW GONG FENG    DATE 17/03/2022  
 CHECK BobYang    DATE 17/03/2022



**Antenk**® ANTENK ELECTRONICS CO.,LTD  
[Http://www.antenk.com](http://www.antenk.com)  
 E-mail:sales@antenk.com

TITLE:  
 3 PIECES AAA Battery Holders DIP TYPE

DRAWING NO: BBA-7-3-B-P-479

PRODUCT NO: BBA-7-3-B-P-479

REV	DESCRIPTION	DATE
1		
2		
3		
4		
5		