

HSF



Material:
 Base: PA46+30%GF, BLACK, UL94V-0;
 CONTACT: 0.3MM THK STAINLESS STEEL
 FINISH: BRIGHT TIN 200U" OVER NICKEL 50U"

BBC - S - SN - A - 095P

① ② ③ ④ ⑤

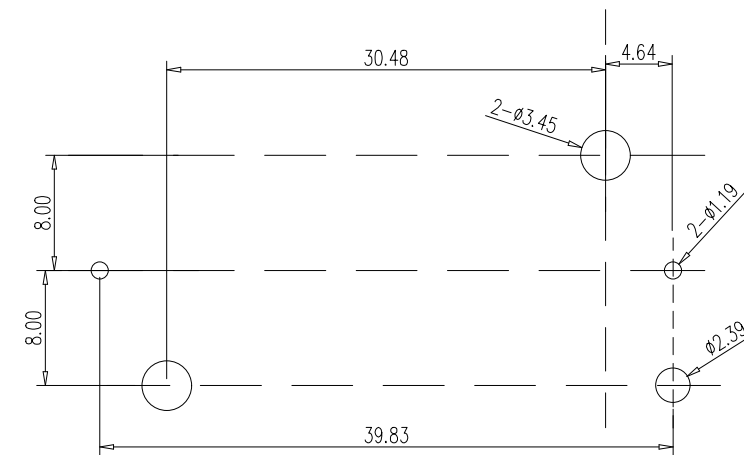
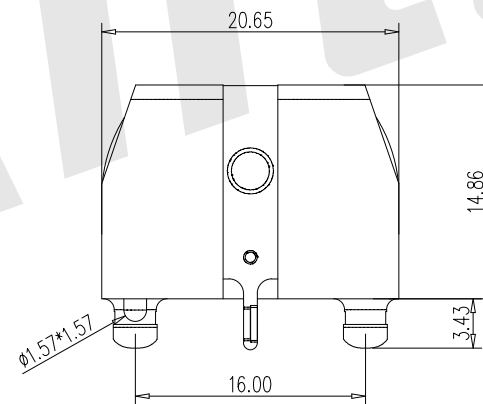
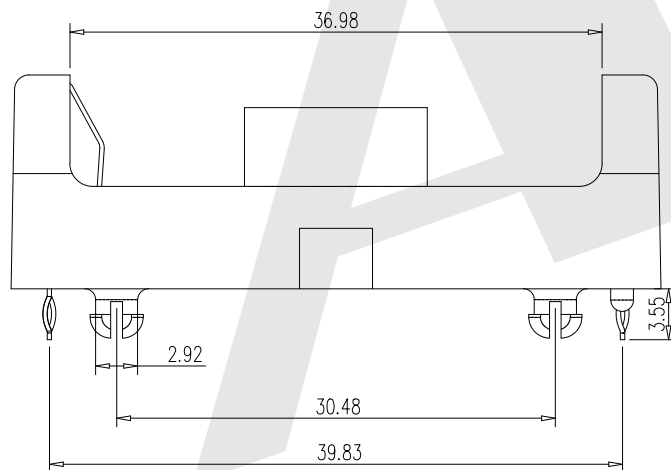
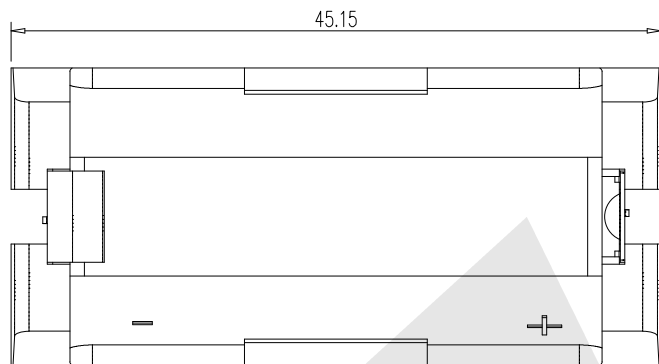
① BBC: Battery Holder 电池盒
 ② Appearance for the product 连接形式

S: 180°

③ Contact Plating 端子电镀
 S1: Tin NICKEL Plated 锡镍合金 G2: 5U" Gold 金
 SN: Tin 锡 G3: 10U" Gold 金
 G0: Gold flash 普金 G4: 15U" Gold 金
 G1: 3U" Gold 金 G5: 30U" Gold 金

④ Packing method 包装方式
 A: Tray packing 吸塑盒装
 B: BAG 袋装

⑤ Product number 产品编号
 095P



Unless Otherwise specified tolerance
 X.±0.35 X.XX:±0.20
 X.X:±0.25 X.XXX:±0.15

SCALE: As Shown UNIT: mm
 DRAW YH DATE 1/2/2024
 CHECK BobYang DATE 1/2/2024

VER./版本号 A0 3rd ANGLE PROJECTION

Antenk® ANTENK ELECTRONICS CO., LTD
 Http://www.antenk.com
 E-mail:sales@antenk.com

TITLE: Single Battery Holder THM For 18350

DRAWING NO: BBC-S-SN-A-095P

PRODUCT NO: BBC-S-SN-A-095P

MK/标记

DESCRIPTION/修订内容

DATE/日期(M/D/Y)

A0

3rd ANGLE PROJECTION

PRODUCT NO: BBC-S-SN-A-095P