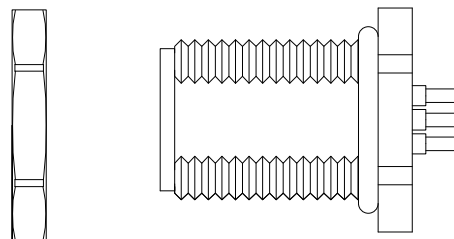


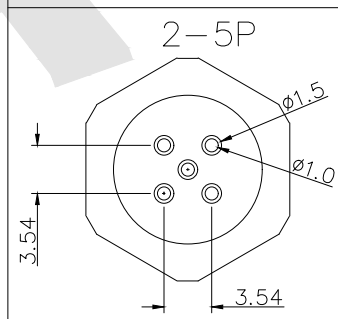
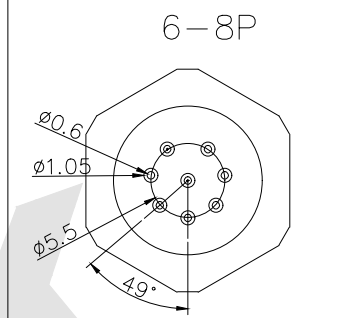
HSF



	2 Pin	3 Pin	4 Pin	5 Pin	6 Pin	7 Pin	8 Pin
Pin	1.00	1.00	1.00	1.00	0.80	0.80	0.80
A-CODE							
B-CODE							
D-CODE							



PCB Layout Reference

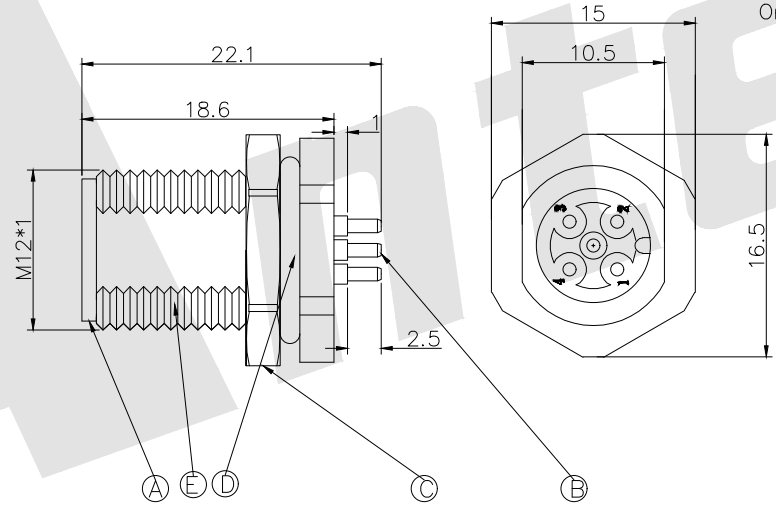


Order Code:

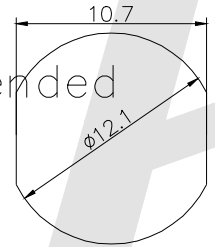
M1202 - X - XP - M - 001

① ② ③ ④ ⑤

- ① Type of M series : M1202
- ② Code Option: A B D
- ③ NO. of PINS: 02~08
- ④ Gender option: Male
- ⑤ Series number: 001



Recommended Panel Cut-out



Engagement force	$\leq 30N$	Rated volage	2-5pin: 60v DC 6-8pin: 30V DC
Isengagement force	$\geq 5N$	Rated current	2-5pin: 4A 6-8pin: 2A
echanical lifespan	$\geq 500$	Insulation resistance	$\geq 1000 M\Omega$
IP rating	IP67/IP68	Contace resistance	$\leq 10m\Omega$
Flammability	UL94 v-0	Operation Temperature	-40 T0+105℃

E	Over Mold	1	NICKL PLATED BRASS
D	O RING	1	SILIGONE RED
C	NUT	1	NICKL PLATED BRASS
B	male PIN	/	GOLD PLATED BRASS
A	BODY	1	PA66+GF BLACK
Item	PART NAME	QTY	MATERIAL /FINISH

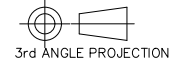
Unless Otherwise specified tolerance  
 X. $\pm$ 0.35 X.XX:  $\pm$ 0.20  
 X.X:  $\pm$ 0.25 X.XXX:  $\pm$ 0.15

SCALE:	UNIT:
As Shown	mm
DRAW	DATE
ZLA	24/05/2022
CHECK	DATE
BobYang	24/05/2022

**Antenk** ANTENK ELECTRONICS CO.,LTD  
 Http://www.antenk.com  
 E-mail:sales@antenk.com

TITLE: M12 2~8P Male Waterproof Board Side Lock Front Panel DIP 180° SW15T

DRAWING NO: M1202-X-XP-M-001  
 PRODUCT NO: M1202-X-XP-M-001



REV	DESCRIPTION	DATE