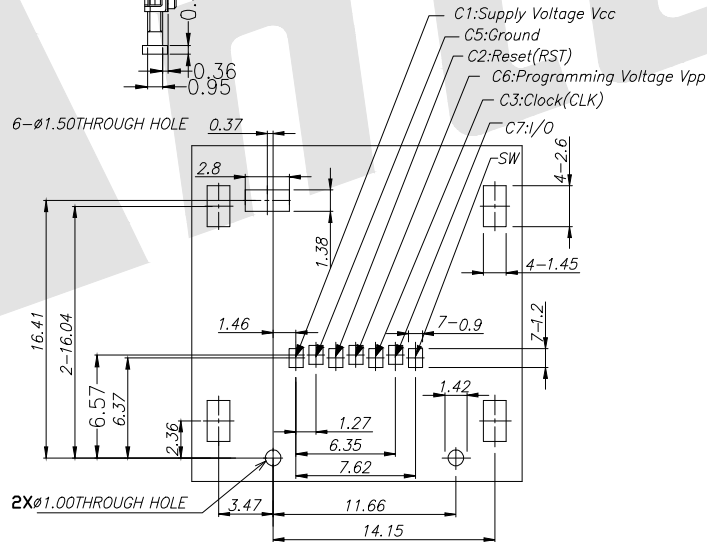
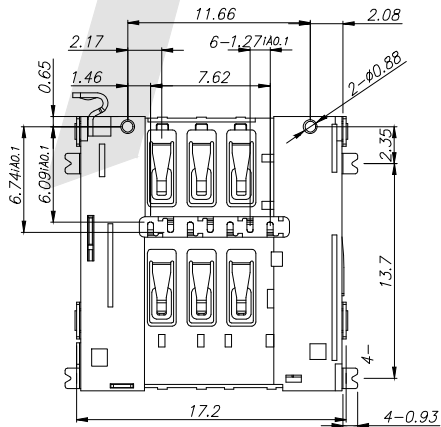
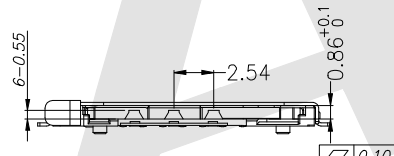
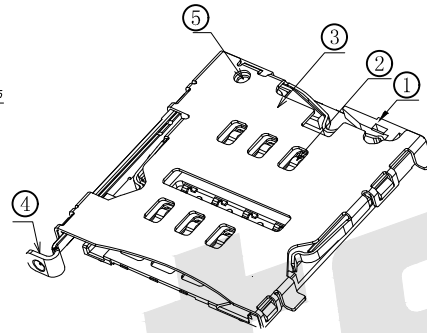
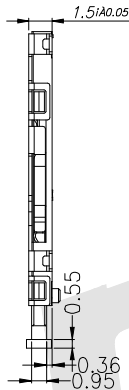
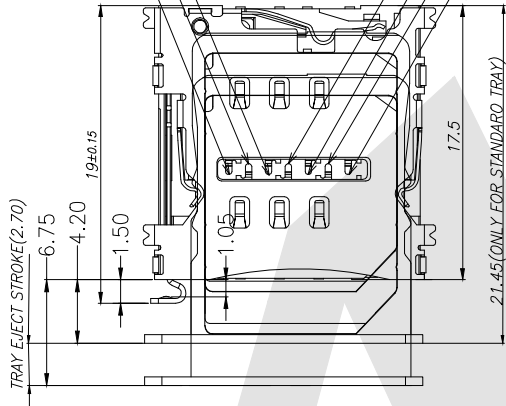




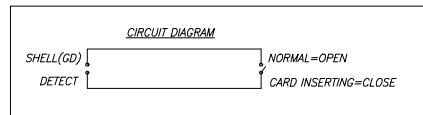
ROHS

C2:Reset(RST)
 C5:Ground
 C1:Supply Voltage Vcc

C6:Programming Voltage Vpp
 C3:Clock(CLK)
 C7:I/O
 SW



PCB LAYOUT



Specification

MATERIAL:
 Insulator: High Temperature Thermoplastic, UL 94V-0.
 Contact: Copper Alloy
 SHELL: SUS
 PLATING:
 Contact: Plated 50u" Ni Overall Contact Au 1U
 Shell: Plated 50u" Ni Overall
 Plated 1u" Au Selective Contact Area
 Electrical:
 Current Rating :0.5A
 Voltage Rating :30V AC/DC
 Ambient Temperature Range : -20°C~+85°C
 Storage Temperature Range ; 50°C~+100°C
 Ambient Humidity Range :95% R.H Max.
 Contact Resistance:100uΩ max.
 Insulation Resistance:1000M min./500VDC
 Resistance Temperature:260°C
 Mating Cycles:3000Min Insertions

Ordering Code:

ATK - MSIM - 150 - A - 010
 ① ② ③ ④

① Company Name:
 ATK

② Height:
 150=1.50mm

③ Packing
 A:Tray
 T:Tube
 R:Tape&Reel

④ Series Number:
 010

Unless Otherwise specified tolerance
 X. ±0.35 X.XX: ±0.20
 X.X: ±0.25 X.XXX: ±0.15

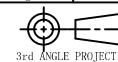
SCALE: As Shown	UNIT: mm
DRAW ZLA	DATE 23/02/2022
CHECK BobYang	DATE 23/02/2022

Antenk ANTENK ELECTRONICS CO., LTD
[Http://www.antenk.com](http://www.antenk.com)
 E-mail:sales@antenk.com

TITLE:
 Micro SIM Card 1.5mm height Connector

DRAWING NO: ATK-MSIM-150-A-010

PRODUCT NO: ATK-MSIM-150-A-010



3rd ANGLE PROJECTION

REV	DESCRIPTION	DATE
-----	-------------	------

1	2	3	4	5	6	7	8
---	---	---	---	---	---	---	---