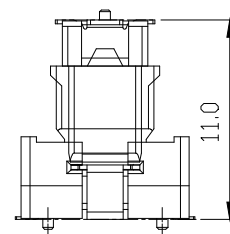
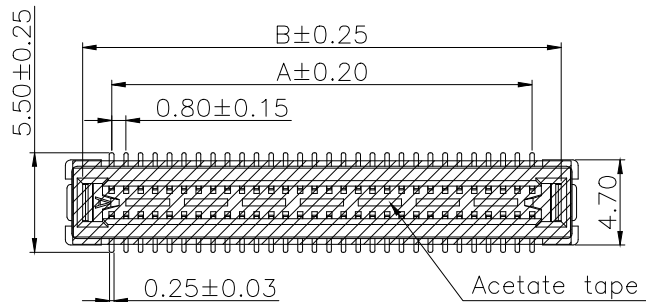


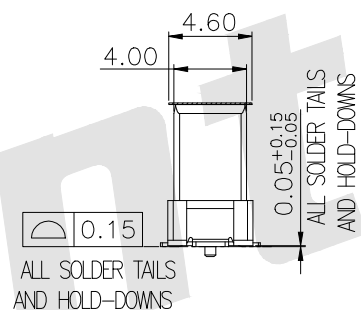
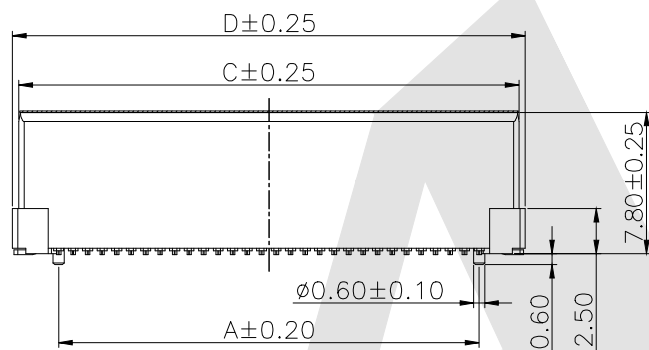
HSF

RoHS



Mating Height

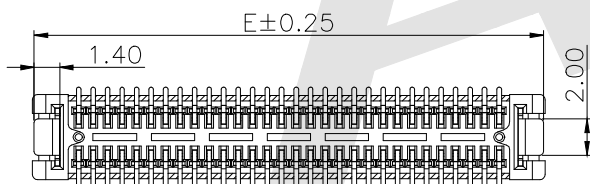
Specifications
 Current Rating:0.5Amp
 Insulation Resistance:500MΩ Min.
 Dielectric Withstanding Voltage:250VAC
 Contact Resistance:100mΩ Max.
 Operating Temperature:-40° C to +105° C
 Materials
 Contact Material:Bronze
 Insulator Material:High Temperature Thermoplastic,
 UL 94V-0 LCP or The Equivalent Material
 All Materials Must Meet GREENCONN Hazardous
 Substances Control Standards.



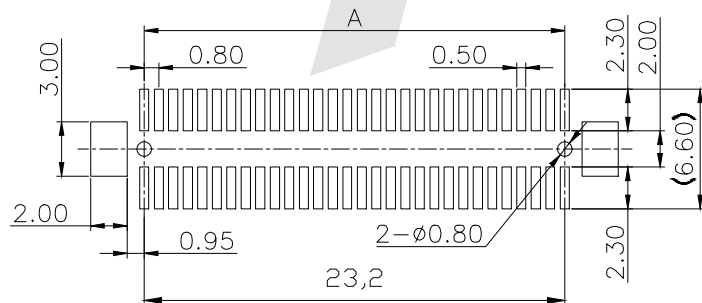
Ordering Code:

BBF0.8 - F - X - X - X - X - 05
 ① ② ③ ④ ⑤ ⑥ ⑦

- ① Series NO:
0.5mm Board to
Board Floating
Connector
- ② M:Male F:Female
- ③ Mating Height:
11.0=11.0mm
- ④ NO. of Contacts:
See Table
For Example
60:60 Poles
- ⑤ Contact Plating
G0: Gold Flash
G1: 3u" Gold
G2: 5u" Gold
G3: 10u" Gold
G4: 15u" Gold
G5: 30u" Gold
SN:Tin
- ⑥ Packing
T:Tube A:Tray
B:Bag U:Tube+CAP
R:tape&Reel
W:tape&Reel+CAP
- ⑦ Serial Number: 05



Pin NO.	A	B	C	D	E
2x30	23.20	26.40	27.60	28.30	28.10
2x40	31.20	34.40	35.60	36.30	36.10



Recommended P.C.Board Layout (Tolerance:±0.05)

Unless Otherwise specified tolerance
 X. ±0.35 X.XX: ±0.20
 X.X: ±0.25 X.XXX: ±0.15

SCALE: As Shown	UNIT: mm
DRAW Wu Feng Rong	DATE 04/15/2021
CHECK BobYang	DATE 04/15/2021

ANTENK ELECTRONICS CO.,LTD
 Http://www.antenk.com
 E-mail:sales@antenk.com

TITLE: 0.8MM Floating Board to Board Female Socket
 Connector With Post Mating Height 11.0MM

DRAWING NO: BBF0.8F-XXXX05
 PRODUCT NO: BBF0.8F-XXXX05



REV	DESCRIPTION	DATE