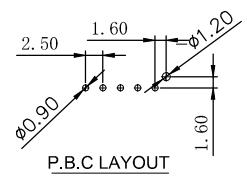
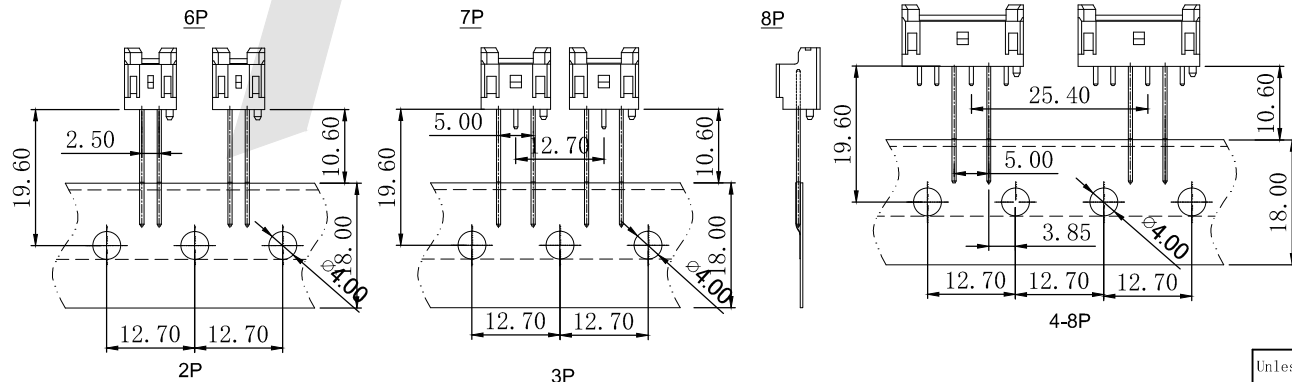
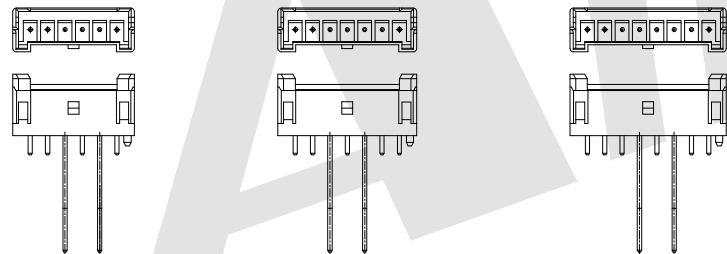
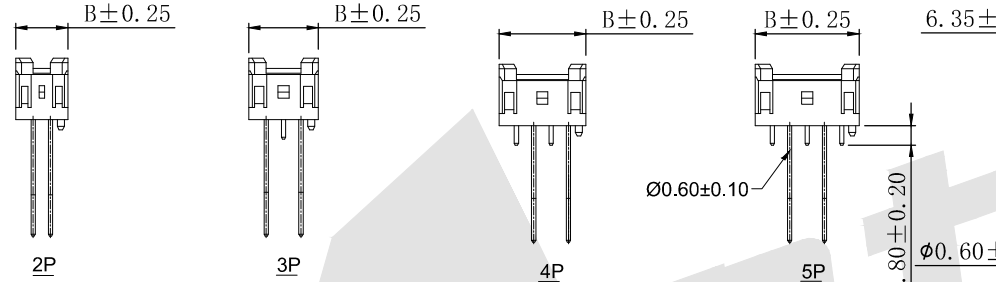
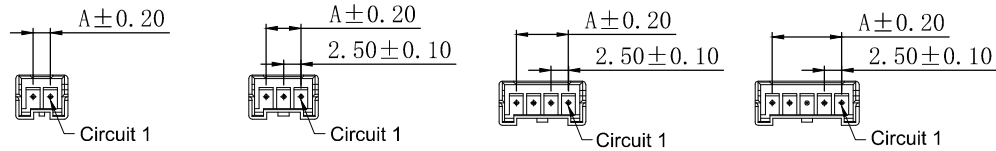


HSF



ROHS



Ordering information:
AW2508VT-F-XP-
1
2
1.Part No.
2.Color:
(blank)-Ivory
BK-Black
RD-Red
BL-Blue
YL-Yellow
GN-Green

SPECIFICATIONS

- Voltage rating: 250V AC,DC
- Current rating: 3A AC,DC
- Withstanding Voltage: 1000V AC/minute
- Insulation resistance:1000MΩ min
- Temperature range: -40℃+105℃

WAFER

- Part NO: AW2508VT-F-xP
- Material: Pin: Brass/Tin over Nickel
Insulator: Nylon 66, UL94V-0
- Mates with: AH2508 series Housing
- Color: Ivory

Ordering Information & Dimensions

PART NO.	Dimensions	
	A	B
AW2508VT-F-2P	2.50	7.50
AW2508VT-F-3P	5.00	10.00
AW2508VT-F-4P	7.50	12.50
AW2508VT-F-5P	10.00	15.00
AW2508VT-F-6P	12.50	17.50
AW2508VT-F-7P	15.00	20.00
AW2508VT-F-8P	17.50	22.50

Unit: mm

Unless Otherwise specified tolerance
X. ±0.35 X.XX: ±0.20
X.X: ±0.25 X.XXX: ±0.15

SCALE: As Shown UNIT: mm
DRAW Jack Bao DATE 5/12/2018
CHECK Bob Yang DATE 5/12/2018



Antenk ANTENK ELECTRONICS CO., LTD
Http://www.antenk.com
E-mail:sales@antenk.com

TITLE: 2.50mm pitch 180° Wafer ON RADIAL-TAPE Connector Series

DRAWING NO: AW2508VT-F-xP
PRODUCT NO: AW2508VT-F-xP

REV	DESCRIPTION	DATE