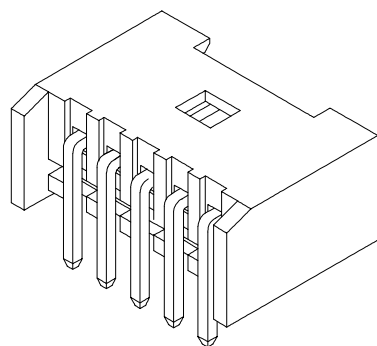


HSF

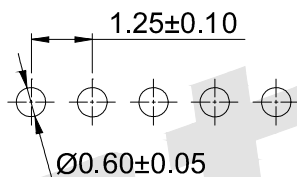
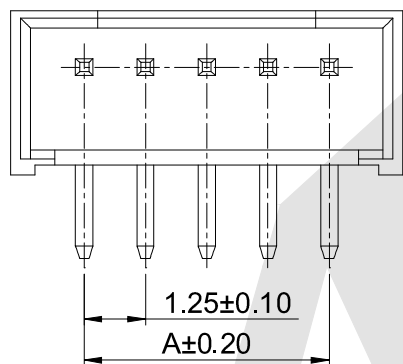


SPECIFICATIONS

- Voltage rating: 200V AC,DC
- Current rating: 1A AC,DC
- Withstanding Voltage: 500V AC/minute
- Insulation resistance:100MΩ min
- Temperature range: -40℃+105℃

WAFER

- Part NO: AW1253R-xP
- Material: Pin: Brass/Tin over Nickel
Insulator: Nylon 66, UL94V-0
- Mates with: AH1253 series Housing
- Color: Reddish brown

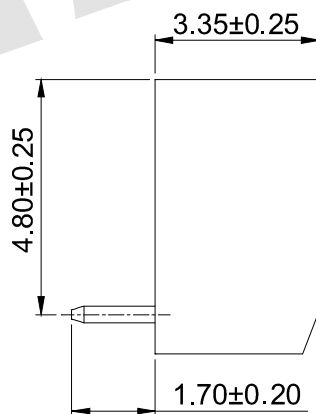
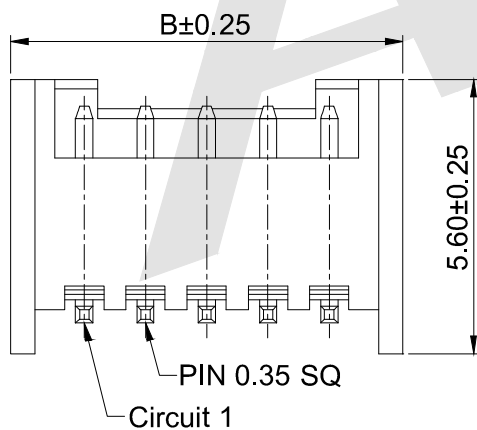


P.C.B LAYOUT

Ordering Information & Dimensions:

Poles	Part No.	Dimensions (mm)	
		A	B
02	AW1253R-02P	1.25	4.25
03	AW1253R-03P	2.50	5.50
04	AW1253R-04P	3.75	6.75
05	AW1253R-05P	5.00	8.00
06	AW1253R-06P	6.25	9.25
07	AW1253R-07P	7.50	10.50
08	AW1253R-08P	8.75	11.75
09	AW1253R-09P	10.00	13.00
10	AW1253R-10P	11.25	14.25
11	AW1253R-11P	12.50	15.50
12	AW1253R-12P	13.75	16.75
13	AW1253R-13P	15.00	18.00
14	AW1253R-14P	16.25	19.25
15	AW1253R-15P	17.50	20.50

Unit:mm



Unless Otherwise specified tolerance
X. ±0.35 X.XX: ±0.20
X.X: ±0.25 X.XXX: ±0.15



ANTENK ELECTRONICS CO.,LTD
Http://www.antenk.com
E-mail:sales@antenk.com

SCALE: As Shown	UNIT: mm
DRAW Jack Bao	DATE 11/04/2017
CHECK Bob Yang	DATE 11/04/2017

TITLE: 1.25mm pitch 90° Wafer Connector Series



DRAWING NO: AW1253R-xP
PRODUCT NO: AW1253R-xP

REV	DESCRIPTION	DATE