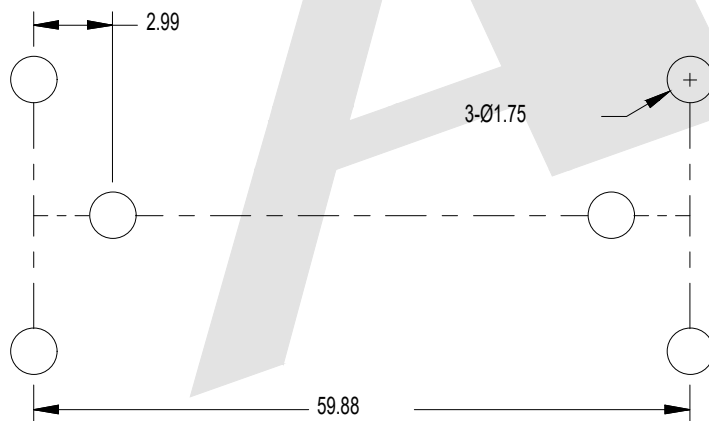
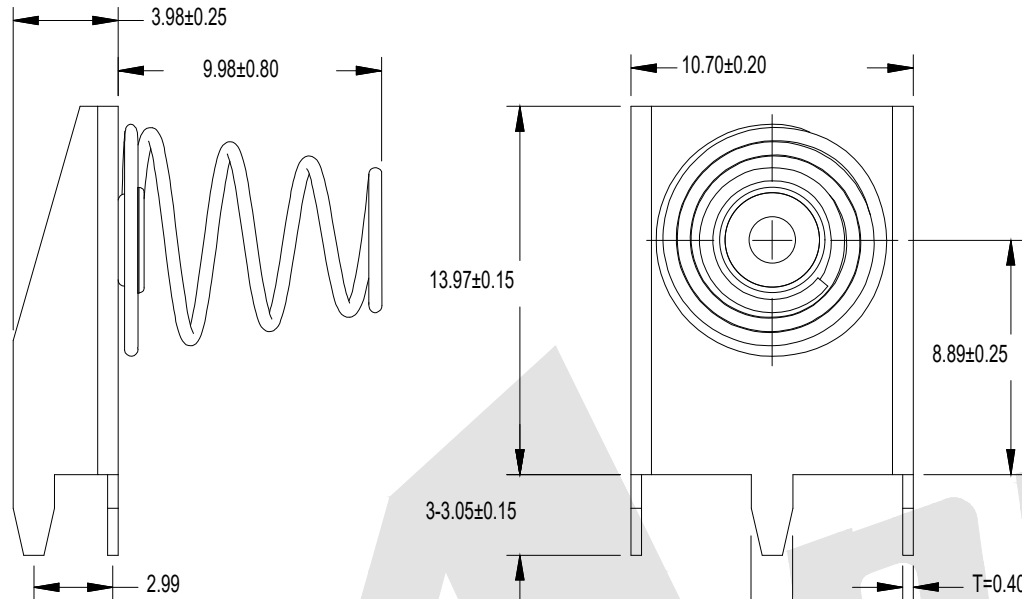


HSF



ROHS



FOR "AA" MOUNTING DETAIL

NOTES:

- 1.SPRING CONTACT: Ø=0.50 MUSIC WIRE
- 2.RoHS COMPLIANT
- 3.500PCS/BAG
- 4.Mate with 695

Order code:

BS - S - NI - B - 728  
 ① ② ③ ④ ⑤

- ① BS: Battery contacts
- ② Apperance for the product

S: 180 TYPE

- ③ Contact Plating  
 NI: NICKEL Plated  
 SN: Tin  
 GO: Gold flash  
 G1: 3U" Gold  
 G2: 5U" Gold  
 G3: 10U" Gold  
 G4: 15U" Gold  
 G5: 30U" Gold

- ④ Packing method  
 B: BAG

- ⑤ Product number:  
 728

Unless Otherwise specified tolerance  
 X.±0.35 X.XX:±0.20  
 X.X:±0.25 X.XXX:±0.15

SCALE: As Shown UNIT: mm  
 DRAW ZLA DATE 06/19/2023  
 CHECK BobYang DATE 06/19/2023

VER./版本号 3rd ANGLE PROJECTION

**Antenk** ANTENK ELECTRONICS CO.,LTD  
 Http://www.antenk.com  
 E-mail:sales@antenk.com

TITLE: AA NEGATIVE BATTERY CONTACT

DRAWING NO: BS-S-NI-B-728

PRODUCT NO: BS-S-NI-B-728

MK/标记

DESCRIPTION/修订内容

DATE/日期(M/D/Y)