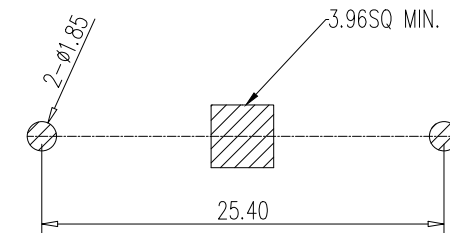
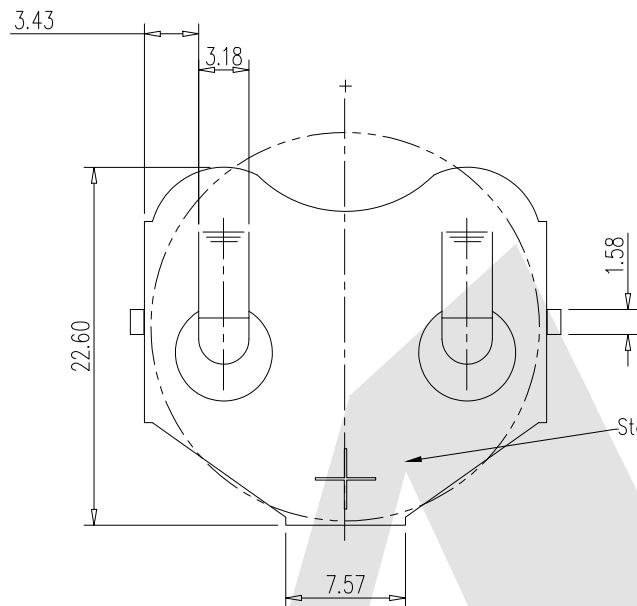
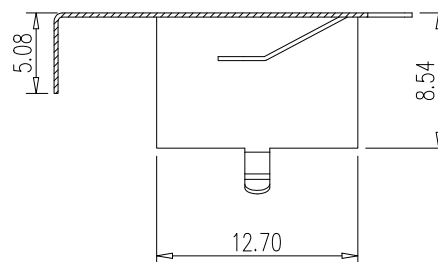
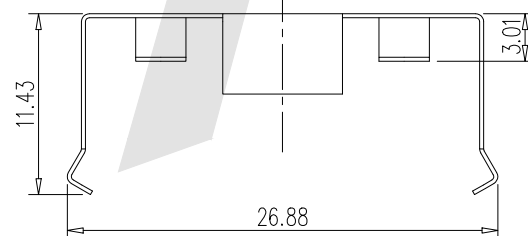
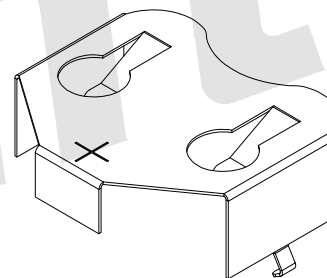


HSF



MOUNTING PAD LAYOUT



- NOTES:
 1.MATERIAL: PHOSPHOR BRONZE,T=0.25mm.
 2.PLATING:
 80u" Min TIN PLATED OVERALL
 50u" Min NICKEL PLATED UNDER OVERALL
 3.THIS PRODUCT IS SUITABLE FOR 24MM BATTERY

Order code:

BS - S - SN - R - 3039
 ① ② ③ ④ ⑤

- ①BS: Battery Contacts
- ②Apperance for the product
S:180 TYPE
- ③ Contact Plating
NI: NICKEL PLATE
SN: Tin
G0: Gold flash
G1: 3u" Gold
G2: 5u" Gold
G3: 10u" Gold
G4: 15u" Gold
G5: 30u" Gold
SI: TIN NICKEL PLATE
- ④Packing method
A: Tray packing
R: Tape & reel packing
B: Bag packing
- ⑤Product number
3039: 3039 STYLE

Unless Otherwise specified tolerance
 X.±0.35 X.XX:±0.20
 X.X:±0.25 X.XXX:±0.15

SCALE: As Shown UNIT: mm
 DRAW ZLA DATE 03/16/2023
 CHECK BobYang DATE 03/16/2023

VER./版本号 AO 3rd ANGLE PROJECTION

Antenk® ANTENK ELECTRONICS CO.,LTD
 Http://www.antenk.com
 E-mail:sales@antenk.com

TITLE: 2477 THM COIN CELL CLIP

DRAWING NO: BS-S-SN-R-3039

PRODUCT NO: BS-S-SN-R-3039

MK/标记

DESCRIPTION/修订内容

DATE/日期(M/D/Y)