

HSF



SPECIFICATIONS:

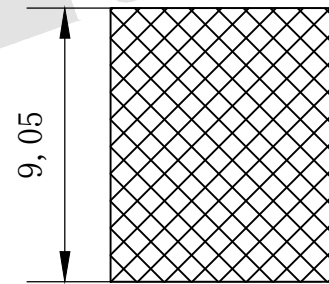
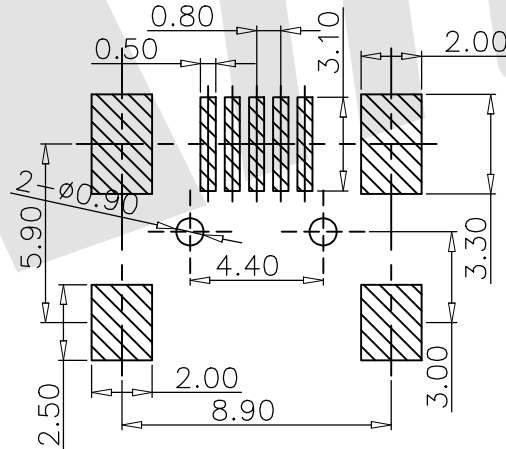
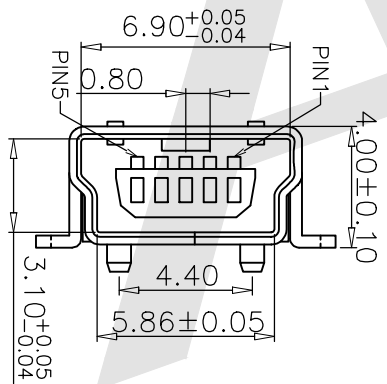
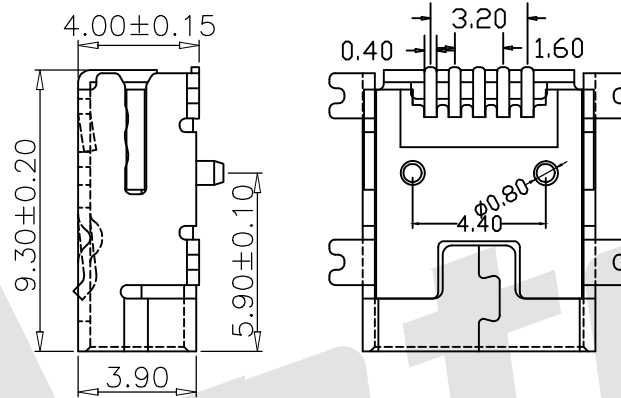
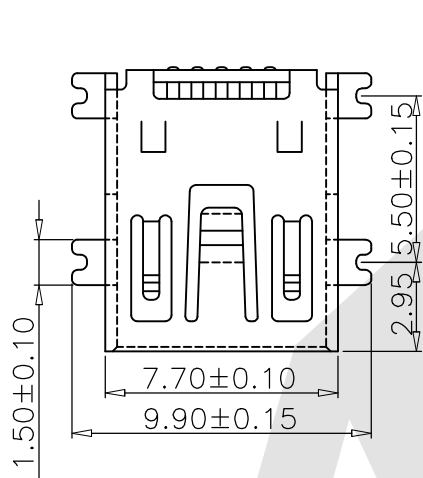
Current Rating: 1A Max
 Contact Resistance: 50 milliohms MAX
 Dielectric Withstanding Voltage: 100V AC AT Sea Level
 Insulation Resistance: 500 MEGA ohms MIN
 Housing: Temperature Thermoplastics, LCP UL 94V-0
 Contact: Copper Alloy, T=0.25mm Plated Gold in Mating Area; Tin On Solder Talls
 Shell: Copper Alloy, T=0.40mm Nickel/Plating
 Operating Temperature Range: -40° C To +60° C
 Storage Temperature Range: -45° C To +65° C

Ordering Code:

NUFM05 - X - X - X - X - X

① ② ③ ④ ⑤ ⑥

- ① Series No:
- ② Shell Material:
B: Brass I: Iron
S: stainless steel
- ③ Insulator Material:
P: PBT+30%GF
L: LCP
- ④ Contact Material:
B: Brass
P: phosphor copper
- ⑤ Contact Plating:
G0: Gold flash
G1: 3u" Gold
G2: 5u" Gold
G3: 10u" Gold
G4: 15u" Gold
G5: 30u" Gold
- ⑥ Packing:
A: Tray
B: Bag
C: Tube
D: Tape Reel
W: Tape & reel + Mylar



mylar: t=0.04mm

Recommended PCB Layout

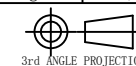
Unless Otherwise specified tolerance
 X. ±0.35 X.XX: ±0.20
 X.X: ±0.25 X.XXX: ±0.15

Antenk® ANTENK ELECTRONICS CO., LTD
 Http://www.antenk.com
 E-mail:sales@antenk.com

SCALE: As Shown	UNIT: mm
DRAW Lv Xun Hua	DATE 11/06/2019
CHECK BobYang	DATE 11/06/2019

TITLE:
Mini USB 5P Receptacle B Type SMT

DRAWING NO: NUFM05-XXXXX
 PRODUCT NO: NUFM05-XXXXX



REV	DESCRIPTION	DATE
1		
2		
3		
4		
5		