

HSF



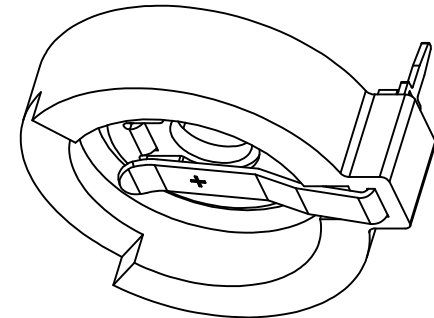
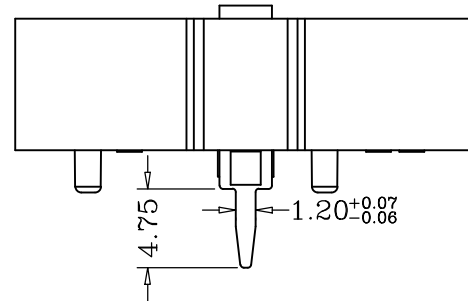
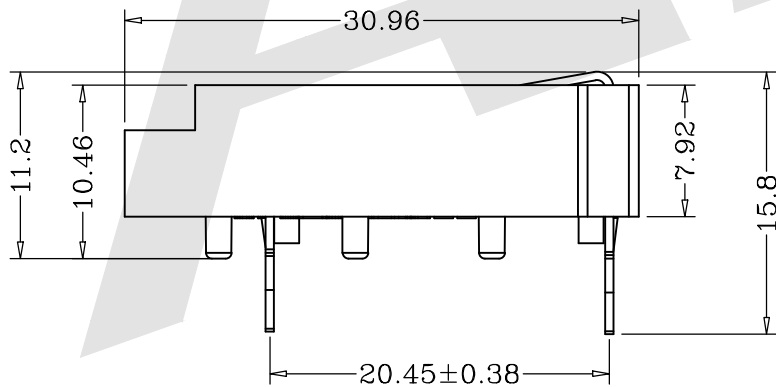
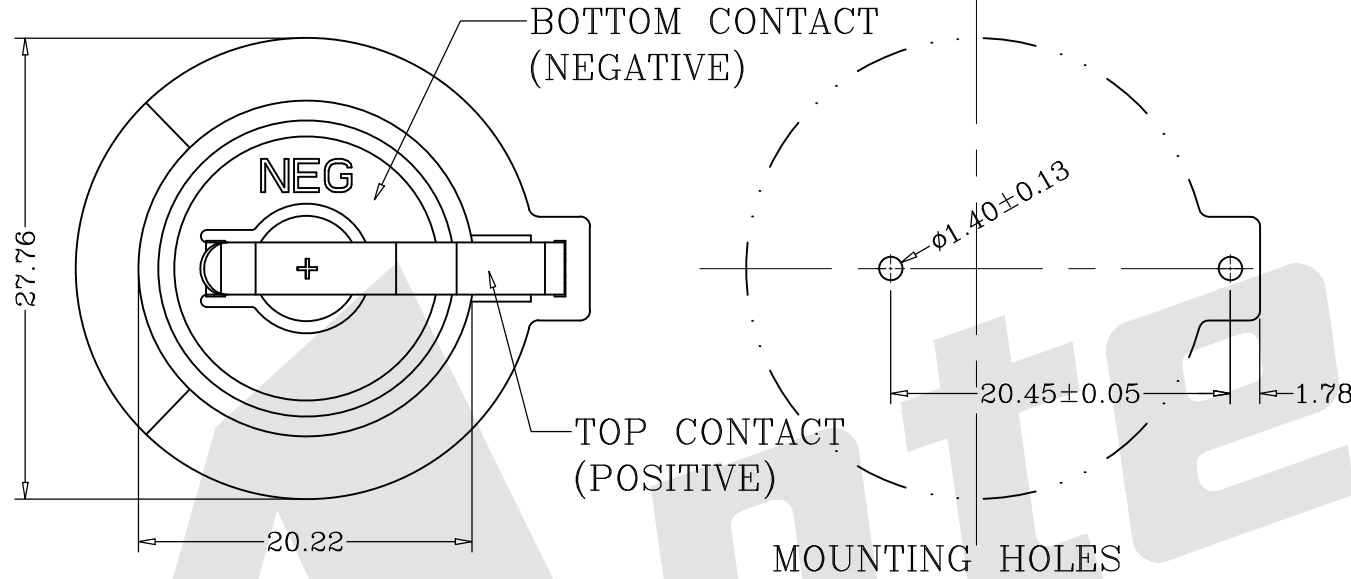
NOTE:

- 1. BASE:PBT(UL94V-0) BLACK
- 2. CONTACTS:0.5 TH'K SPRING STEEL

Order code:

BT — S — SN — A — 026  
 ① — ② — ③ — ④ — ⑤

- ① BT: Coin Cell Holders
- ② Apperance for the product S:180 TYPE
- ③ Contact Plating SN:tin G0:Gold flash G1: 3U" Gold G2: 5U" Gold G3:10U" Gold G4:15U" Gold G5:30U" Gold
- ④ Packing method A: Tray B:Bag R: Tape & reel
- ⑤ Product number 026



Unless Otherwise specified tolerance  
 X. ±0.35 X.XX: ±0.20  
 X.X: ±0.25 X.XXX: ±0.15

**Antenk**® ANTENK ELECTRONICS CO., LTD  
[Http://www.antenk.com](http://www.antenk.com)  
 E-mail:sales@antenk.com

SCALE: As Shown	UNIT: mm
DRAW TMX	DATE 15/01/2022
CHECK BobYang	DATE 15/01/2022

TITLE:  
Coin Cell Holders FOR CR2032 DIP

DRAWING NO: BT-S-SN-A-026

PRODUCT NO: BT-S-SN-A-026



REV	DESCRIPTION	DATE
1		
2		
3		
4		
5		