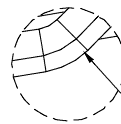


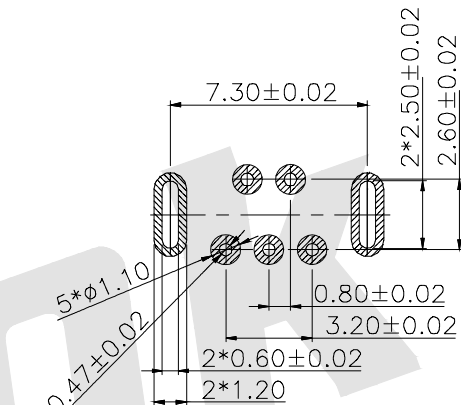
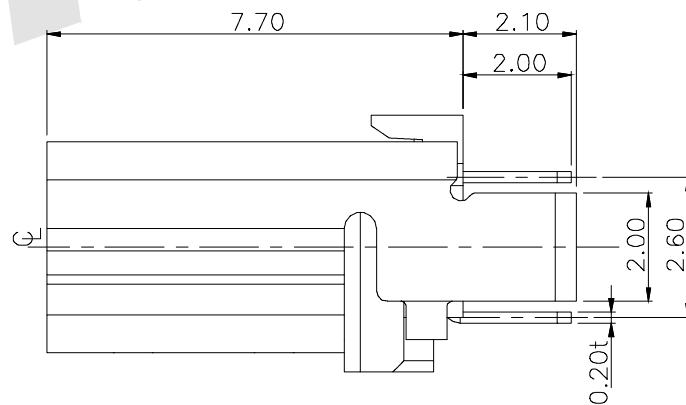
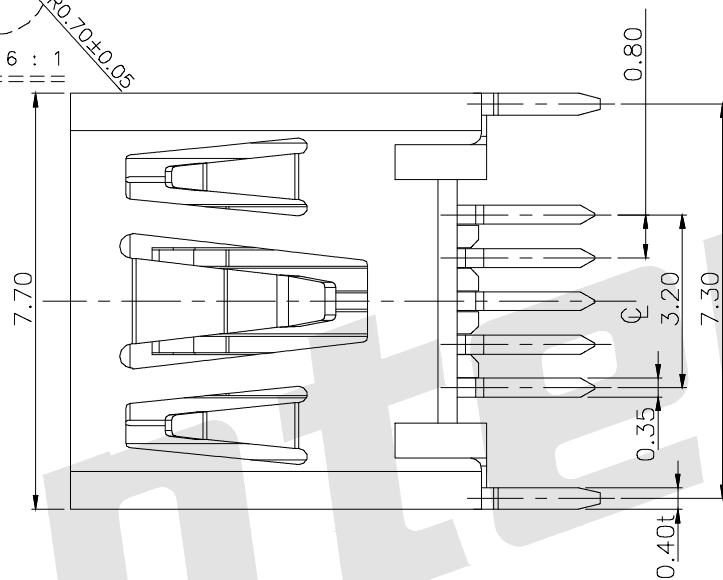
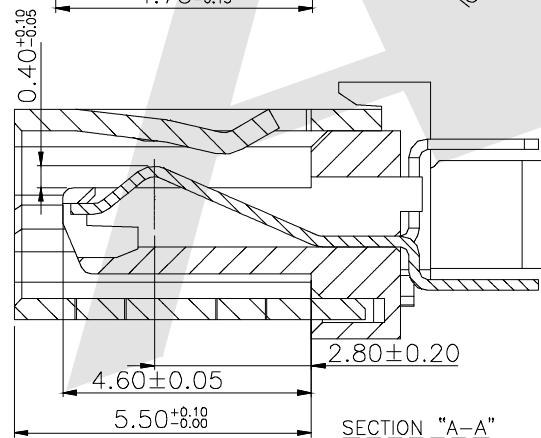
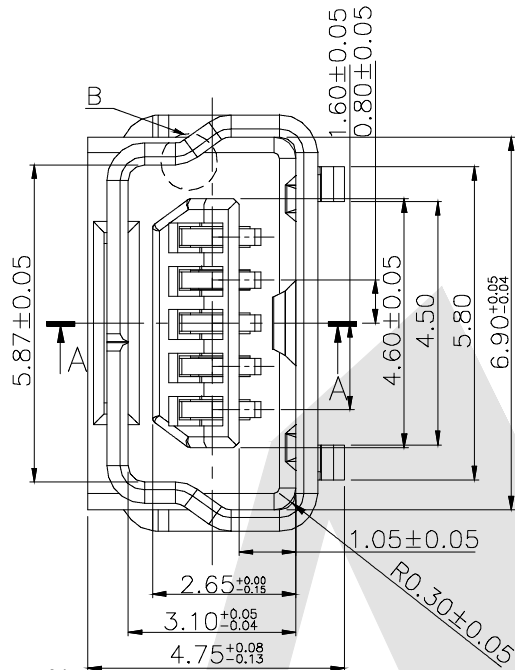
HSF



ROHS



DETAIL B 16 : 1



RECOMMENDED P.C.B LAYOUT
TOLERANCE: ±0.05 IF NOT SPECIFIED
WITHOUT LOCKING FUNCTION

SPECIFICATIONS:

Current Rating: 1A Max
Contact Resistance: 50 milliohms MAX
Dielectric Withstanding Voltage: 100V AC AT Sea Level
Insulation Resistance: 500 MEGA ohms MIN
Housing: Temperature Thermoplastics, LCP UL 94V-0
Contact: Copper Alloy, T=0.25mm Plated Gold in Mating Area; Tin On Solder Tails
Shell: Copper Alloy, T=0.40mm Nickel/Plating
Operating Temperature Range: -40° C To +60° C
Storage Temperature Range: -45° C To +65° C

Ordering Code:

NUFS04 - X - X - X - X - X
① ② ③ ④ ⑤ ⑥

- ① Series No:
- ② Shell Material:
B: Brass I: Iron
- ③ Insulator Material:
P: LCBT
L: LCP
- ④ Contact Material:
B: Brass
P: Phosphor copper
- ⑤ Contact Plating:
G0: Gold flash
G1: 3u" Gold
G2: 5u" Gold
G3: 10u" Gold
G4: 15u" Gold
G5: 30u" Gold
- ⑥ Packing:
A: Tray
B: Bag
C: Tube
D: Tape & Reel

Unless Otherwise specified tolerance
X. ±0.35 X.XX: ±0.20
X.X: ±0.25 X.XXX: ±0.15

SCALE: As Shown UNIT: mm
DRAW Lv Xun Hua DATE 12/06/2019
CHECK BobYang DATE 12/06/2019



Antenk ANTENK ELECTRONICS CO., LTD
Http://www.antenk.com
E-mail:sales@antenk.com

TITLE: MINI USB B TYPE 5P Receptacle,
Dip straight, Short body 7.7mm

DRAWING NO: NUF04-XXXXX
PRODUCT NO: NUF04-XXXXX

REV

DESCRIPTION

DATE

1 2 3 4 5 6 7 8