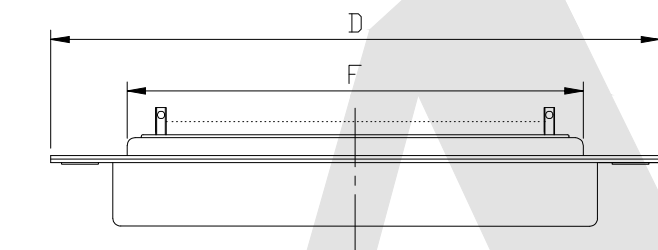
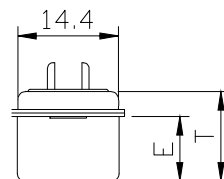
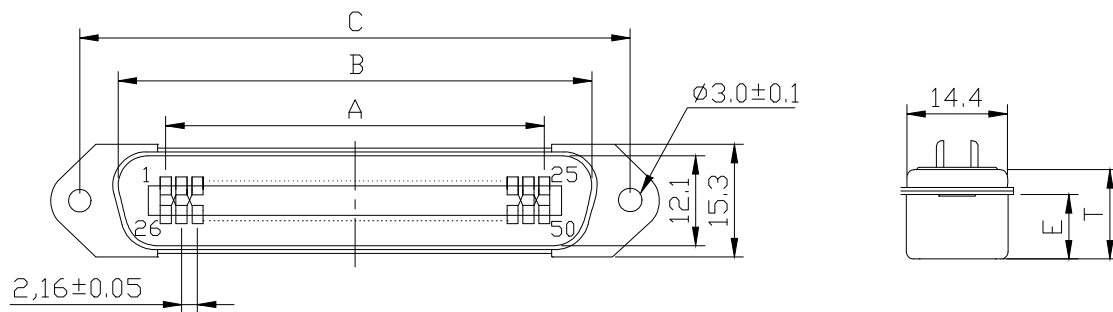


HSF



Current Rating:5A
 Dielectric Withstanding Voltage:1000V for one minute
 Insulation Resistance:1000MΩ Min. (at 500V DC)
 Contact Resistance:25mΩ Max.
 Temperature:-55° C to +105° C

Material & Finish

1. SHELL:

Steel Zinc Plated, Tin Plated or Nickel Plated Steel

2. PIN CONTACT: Phosphor Bronze or Brass Gold Plated

3. INSULATOR:

PBT & Glass-Fibre Reinforced UL 94-V0

Ordering Code:

57CC - M - X - X - X - 05
 ① ② ③ ④ ⑤

- ① CONTACT TYPE:
 F: FEMALE
 M: MALE
- ② NO. OF CONTACT:
 14 24 36 50
- ③ CONTACT PLATING:
 A: GOLD FLASH
 S: SELECTIVE GOLD PLATED 3U"
 SA: SELECTIVE GOLD PLATED 5U"
 SB: SELECTIVE GOLD PLATED 10U"
 SC: SELECTIVE GOLD PLATED 15U"
 SD: SELECTIVE GOLD PLATED 30U"
- ④ INSULATOR COLOR:
 B: BLUE
 K: BLACK
 W: WHITE
- ⑤ SERIES NUMBER: 05

Positions	A	B	C	D	F	E	T
14	12.96	25.3	36.0	44.0	22.7	9.0	12.6
24	23.76	36.2	46.8	54.8	33.5	8.9	12.55
36	36.72	49.2	59.7	67.7	46.4	8.9	12.55
50	51.84	64.4	74.9	82.8	62.0	8.8	12.55

Unless Otherwise specified tolerance
 X. ±0.35 X.XX: ±0.20
 X.X: ±0.25 X.XXX: ±0.15

SCALE: As Shown UNIT: mm
 DRAW Wu Feng Rong DATE 02/24/2021
 CHECK BobYang DATE 02/24/2021

3rd ANGLE PROJECTION

Antenk ANTENK ELECTRONICS CO., LTD
 Http://www.antenk.com
 E-mail:sales@antenk.com

TITLE: 2.16mm CENTRONIC SOLDER CONNECTOR
 MALE LATCH TYPE

DRAWING NO: 57CC-MXXX05

PRODUCT NO: 57CC-MXXX05

REV	DESCRIPTION	DATE