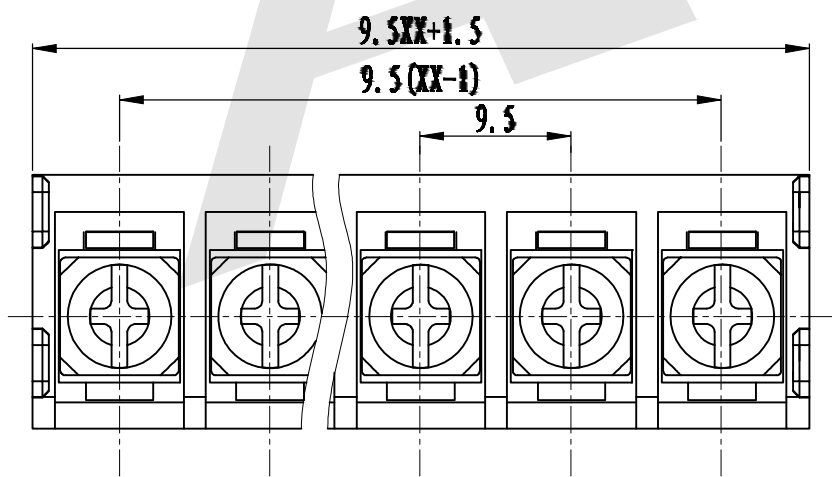
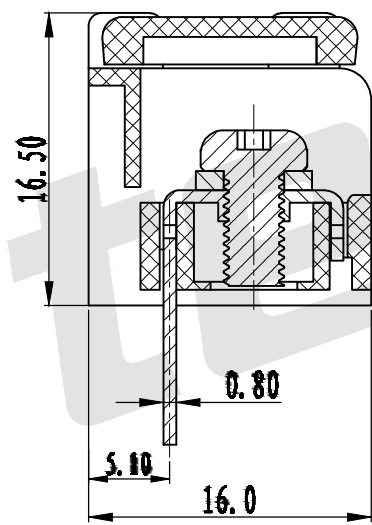
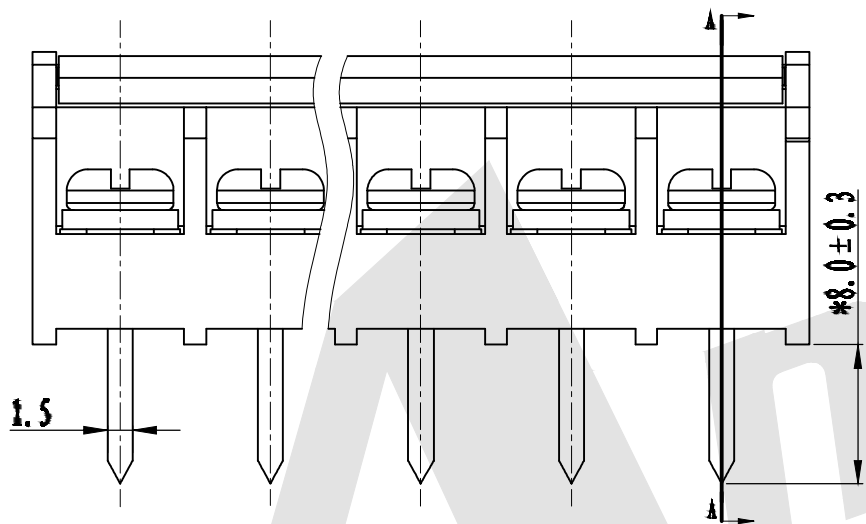
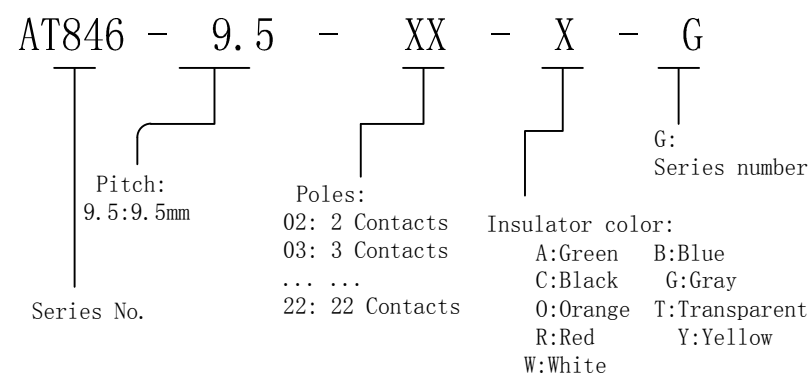


HSF



SPECIFICATION

Standard(参考标准): UL IEC
 Voltage Rating (额定电压): 300V 750V
 Current Rating (额定电流): 20A 32A
 Wire range(使用线径): 22—12AWG 4.0mm²
 Withstanding voltage(耐电压): AC2000V/1Min
 Insulation resistance(绝缘电阻): 500MΩ/DC500V
 Temp Rang(温度范围): -40° C ~ +105° C
 Max Torque(最大锁紧力矩): 1.2Nm(10.6lb. in)
 Housing(塑件): PA66, UL94V-0
 Screw(螺丝): Steel, M4.0 Ni plated
 Terminal(端子): Brass.0.8t, Tin plated
 Pitch(间距): 9.5mm
 Poles(极数): 2P-24P
 Ordering Code:

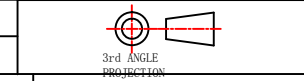


Unless Otherwise specified tolerance
 X. ±0.35 X.XX: ±0.20
 X.X: ±0.25 X.XXX: ±0.15

Antenk® ANTENK ELECTRONICS CO.,LTD
 Http://www.antenk.com
 E-mail:sales@antenk.com

SCALE: As Shown	UNIT: mm
DRAW Mo Guo Xuan	DATE 18/10/2018
CHECK BobYang	DATE 18/10/2018

TITLE:
Barrier Terminal Block Pitch:9.5mm



DRAWING NO:	AT846-9.5XXX-G
PRODUCT NO:	AT846-9.5XXX-G

2	Added G to the end of this code number	DATE
REV	DESCRIPTION	DATE