

HSF



NOTE/说明:

- 1. BASE 胶芯:PBT(UL94V-0) BLACK 黑色
- 2. CONTACTS 端子:0.4 TH'K STAINLESS STEEL/0.4mm 厚不锈钢
- 3. FINISH 电镀:TIN NICKEL PLATE 镍底镀锡

Order code 订单编号:

BT - S - SN - B -CR2032X-065

① ② ③ ④ ⑤

- ① BT: Coin Cell Holders/电池座
- ② Appearance for the product 连接形式
S:180 TYPE

③ Contact Plating 端子电镀

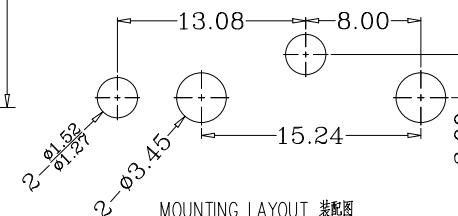
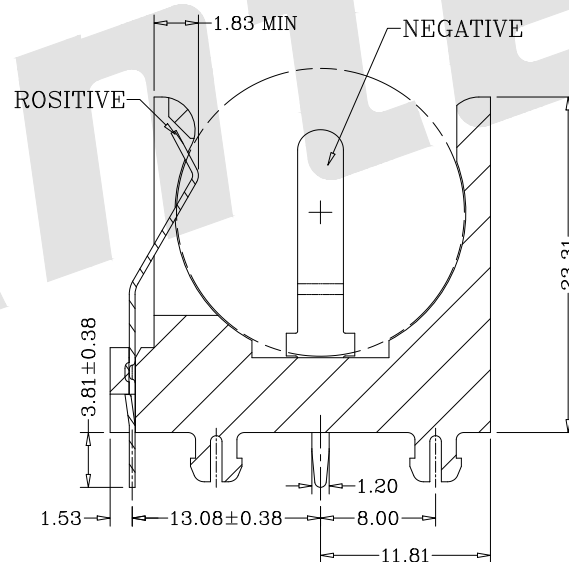
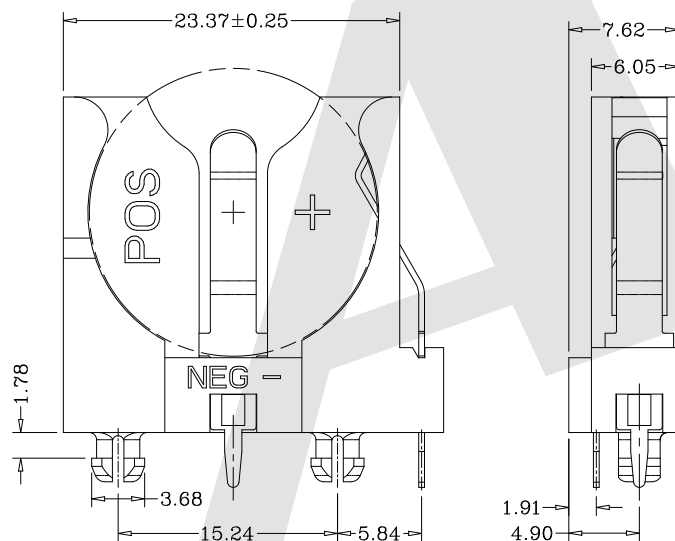
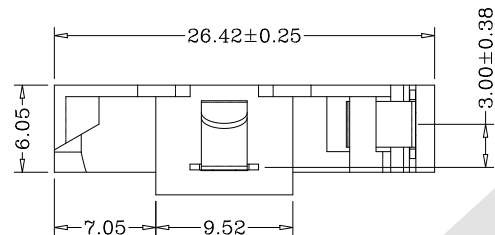
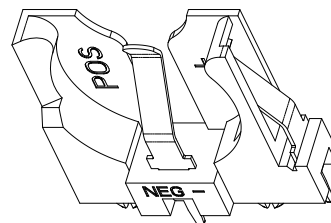
- SN: Tin 镀锡
- G0: Gold flash / 普金
- G1: 3U" Gold / 金
- G2: 5U" Gold / 金
- G3: 10U" Gold / 金
- G4: 15U" Gold / 金
- G5: 30U" Gold / 金

④ Packing method /包装方式

- A: Tray/吸塑盒装 B: Bag /袋装
- R: Tape & reel/卷装

⑤ Product number 产品编号

CR2032X-065



MOUNTING LAYOUT 装配图

TOLERANCE ±0.05 UNLESS OTHERWISE SPECIFIED.

默认公差±0.05

Unless Otherwise specified tolerance
 X.±0.35 X.XX:±0.20
 X.X:±0.25 X.XXX:±0.15

SCALE: As Shown UNIT: mm
 DRAW ZLA DATE 1/11/2022
 CHECK BobYang DATE 1/11/2022

VER./版本号 A0 3rd ANGLE PROJECTION

Antenk® ANTENK ELECTRONICS CO.,LTD
 Http://www.antenk.com
 E-mail:sales@antenk.com

TITLE: COIN CELL HOLDER FOR BR2012 CR2016 DL2020
 CL2025 CR2032 DIP 180°

DRAWING NO: BT-S-SN-B-CR2032X-065

PRODUCT NO: BT-S-SN-B-CR2032X-065

MK/标记

DESCRIPTION/修订内容

DATE/日期(M/D/Y)