



SPECIFICATIONS

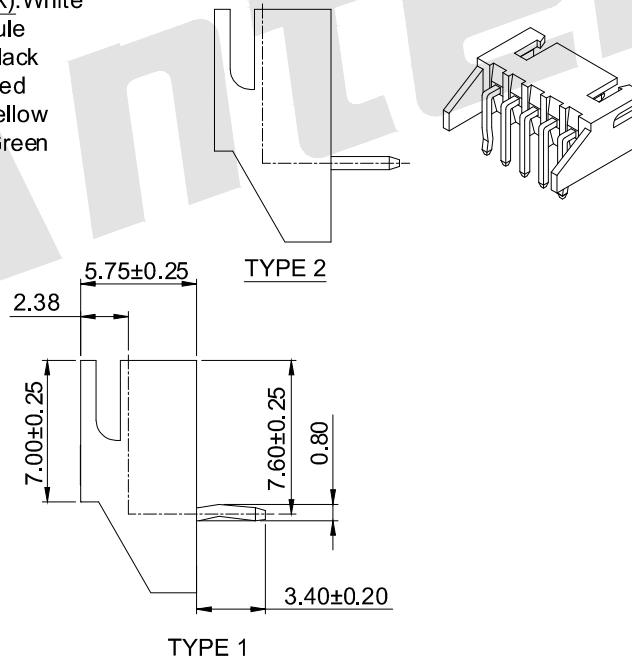
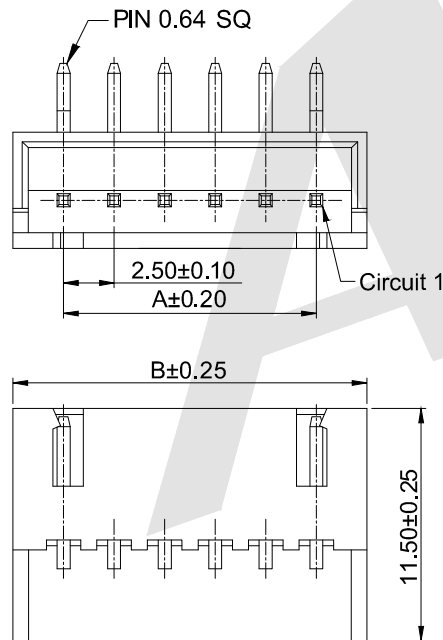
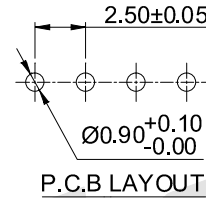
- Voltage rating: 250V AC,DC
- Current rating: 3A AC,DC
- Withstanding Voltage: 800V AC/minute
- Insulation resistance:1000MΩ min
- Temperature range: -40°C~+105°C

WAFER

- Part NO: AW2501RB-xP
- Material: Pin: Brass/Tin over Nickel
Insulator: Nylon 66, UL94V-0
- Mates with: AH2501 series Housing
- Color: White

Ordering Information:
AW2501RB-XP - ** - **
1 2 3

- 1.Part No
2.Style
(blank) :Type 1
2 :Type 2
3.Color:
(blank):White
BL:Bule
BK:Black
RD:Red
YL:Yellow
GN:Green



Ordering Information & Dimensions

PART NO.	Dimensions	
	A	B
AW2501RB-2P	2.50	7.50
AW2501RB-3P	5.00	10.00
AW2501RB-4P	7.50	12.50
AW2501RB-5P	10.00	15.00
AW2501RB-6P	12.50	17.50
AW2501RB-7P	15.00	20.00
AW2501RB-8P	17.50	22.50
AW2501RB-9P	20.00	25.00
AW2501RB-10P	22.50	27.50
AW2501RB-11P	25.00	30.00
AW2501RB-12P	27.50	32.50
AW2501RB-13P	30.00	35.00
AW2501RB-14P	32.50	37.50
AW2501RB-15P	35.00	40.00
AW2501RB-16P	37.50	42.50
AW2501RB-17P	40.00	45.00
AW2501RB-18P	42.50	47.50
AW2501RB-19P	45.00	50.00
AW2501RB-20P	47.50	52.50

Unit: mm

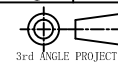
Unless Otherwise specified tolerance
X. ±0.35 X.XX: ±0.20
X.X: ±0.25 X.XXX: ±0.15



ANTENK ELECTRONICS CO.,LTD
Http://www.antenk.com
E-mail:sales@antenk.com

SCALE: As Shown UNIT: mm
DRAW Jack Bao DATE 5/1/2018
CHECK Bob Yang DATE 5/1/2018

TITLE: 2.5mm pitch 90° Wafer Connector Series



DRAWING NO: AW2501RB-xP

PRODUCT NO: AW2501RB-xP

REV	DESCRIPTION	DATE
1		