

HSF



NOTES:

1.RoHS COMPLIANT

2.500PCS/BAG

3.Mate with 628

Order code:

BS - S - NI - B - 595
① ② ③ ④ ⑤

① BS: Battery contacts

② Apperance for the product

S: 180 TYPE

③ Contact Plating
NI: NICKEL Plated
SN: Tin

G0: G0ld flash

G1: 3U" Gold

G2: 5U" Gold

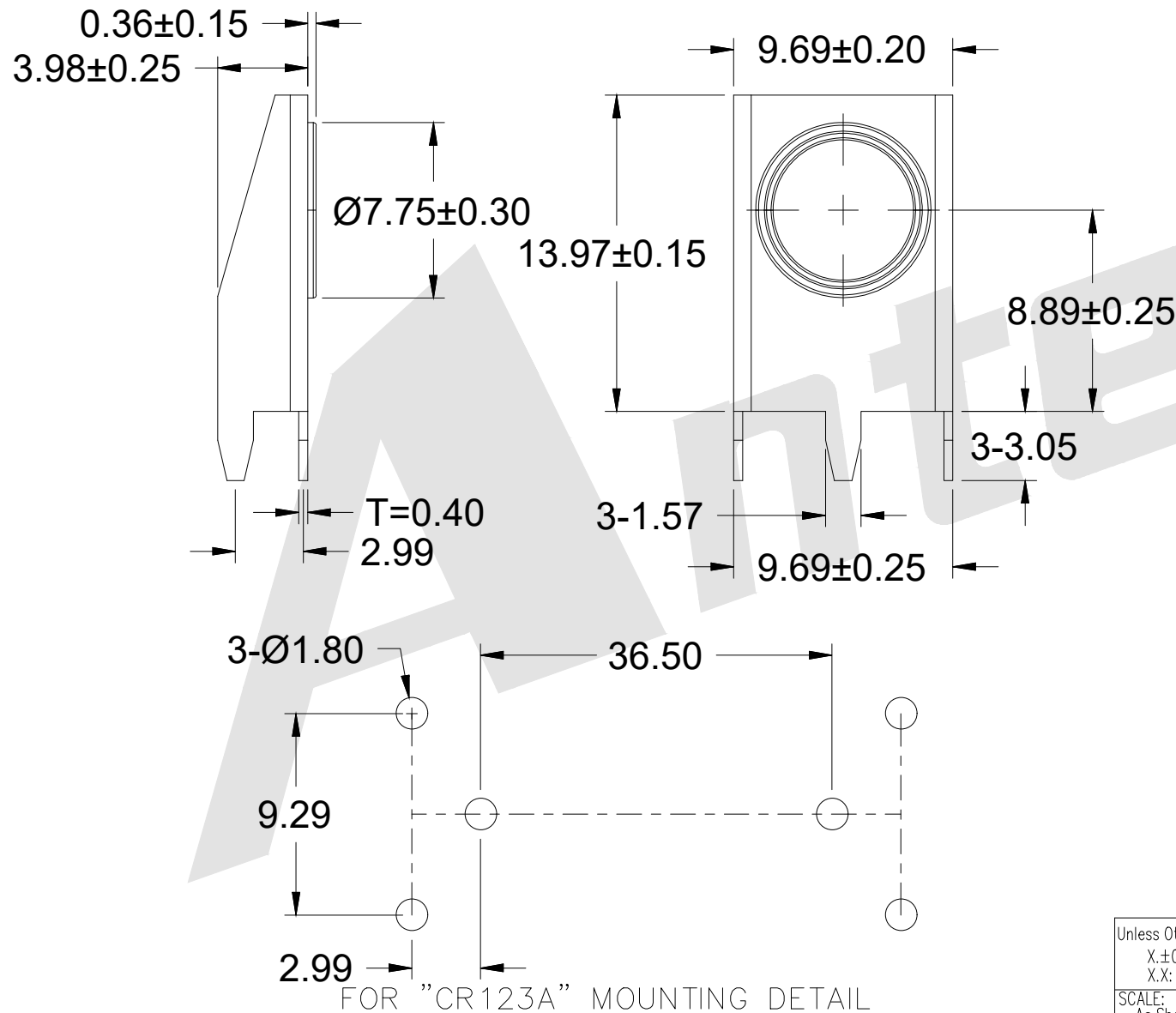
G3: 10U" Gold

G4: 15U" Gold

G5: 30U" Gold

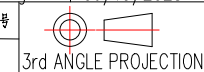
④ Packing method
B: BAG

⑤ Product number:
595



Unless Otherwise specified tolerance
 X.±0.35 X.XX:±0.20
 X.X:±0.25 X.XXX:±0.15

SCALE: As Shown UNIT: mm
 DRAW ZLA DATE 06/19/2023
 CHECK BobYang DATE 06/19/2023
 VER./版本号



Antenk ANTENK ELECTRONICS CO.,LTD
 Http://www.antenk.com
 E-mail:sales@antenk.com

TITLE: CR123A POSITIVE BATTERY CONTACT
 DRAWING NO: BS-S-NI-B-595
 PRODUCT NO: BS-S-NI-B-595

MK/标记	DESCRIPTION/修订内容	DATE/日期(M/D/Y)