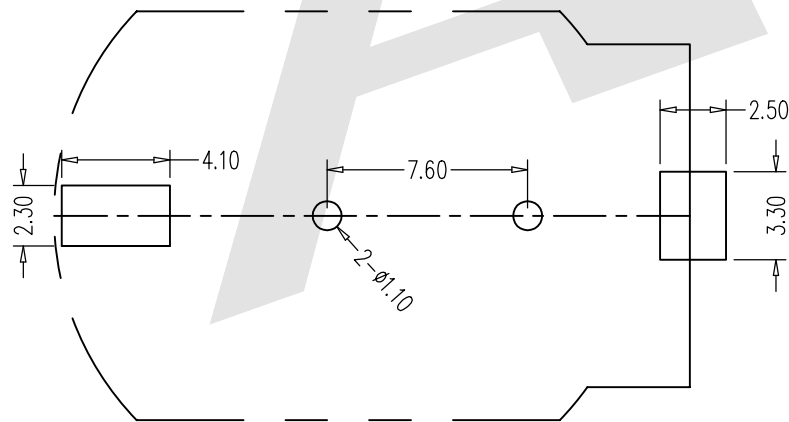
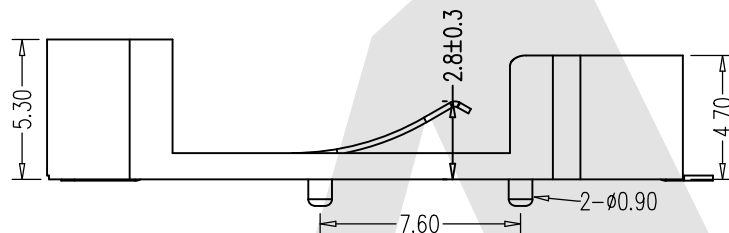
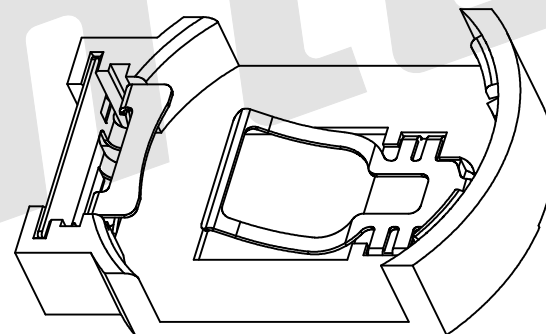
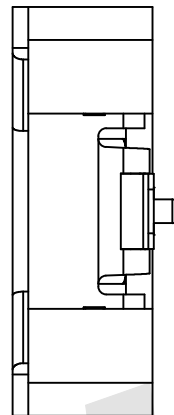
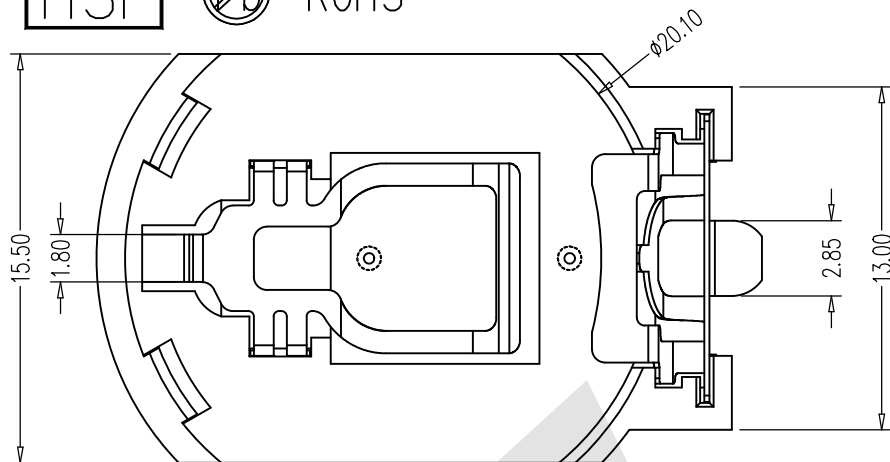


HSF



ROHS



PCB LAYOUT

NOTE 说明:

- 1.BASE 胶壳: PPA+30%GF(UL94V-0) Brown 棕色
- 2.CONTACTS 端子: C2680-EH 磷铜, T=0.20MM
- 3.ELECTRIC 电气性能:
  - a.CONTACT RESISTANCE 接触电阻: 30 MILLIOHMS MAX 最大
  - b.INSULATION RESISTANCE 绝缘电阻: 1000 MEGA OHMS MIN 最小
  - c.DIELECTRIC VOLTAGE 耐压: 500V AC 交流 ONE Minute LEVEL 1分钟
  - d.OPERATING TEMPERATURE 工作温度: -25°C TO +85°C

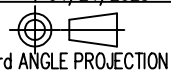
Ordering code:

$\frac{BT}{1}$  —  $\frac{M}{2}$  —  $\frac{G0}{3}$  —  $\frac{A}{4}$  —  $\frac{CR20320A}{5}$   $\frac{A2}{\triangle}$

- ① BT: Coin Cell Holders 纽扣电池盒
- ② Appearance for the product 连接形式  
M: SMT TYPE
- ③ Contact Plating 端子电镀  
SN: Tin 锡  
G0: Gold flash 普金  
G1: 3U" Gold 金  
G2: 5U" Gold 金  
G3: 10U" Gold 金  
G4: 15U" Gold 金  
G5: 30U" Gold 金
- ④ Packing method 包装方式  
A: Tray 吸塑盒装 B: Bag 袋装  
R: Tape & reel 卷装
- ⑤ Product number 产品编号  
CR20320A  $\frac{A2}{\triangle}$

Unless Otherwise specified tolerance  
 X.±0.35 X.XX:±0.20  
 X.X:±0.25 X.XXX:±0.15

SCALE: As Shown UNIT: mm  
 DRAW: ZLA DATE: 04/24/2023  
 CHECK: BobYang DATE: 04/24/2023  
 VER./版本号



**Antenk** ANTEK ELECTRONICS CO.,LTD  
 Http://www.antenk.com  
 E-mail:sales@antenk.com

TITLE: Coin Cell Holders FOR CR2032 SMT With Boss

DRAWING NO: BT-M-G0-A-CR20320A  $\frac{A2}{\triangle}$

PRODUCT NO: BT-M-G0-A-CR20320A  $\frac{A2}{\triangle}$

Update Drawing No.BT-M-G0-A-CR2032S -> BT-M-G0-A-CR20320A

03/14/2024

Revise Draw Based on Sample

04/25/2023

MK/标记

DESCRIPTION/修订内容

DATE/日期(M/D/Y)

A1

3rd ANGLE PROJECTION

PRODUCT NO: BT-M-G0-A-CR20320A  $\frac{A2}{\triangle}$