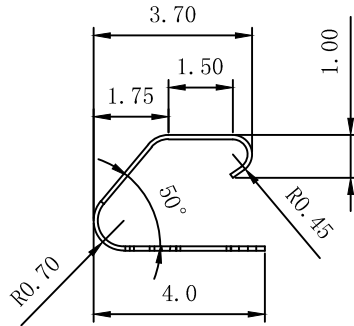
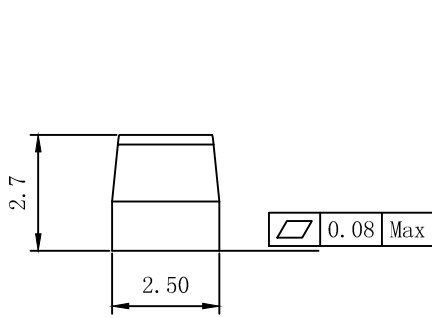
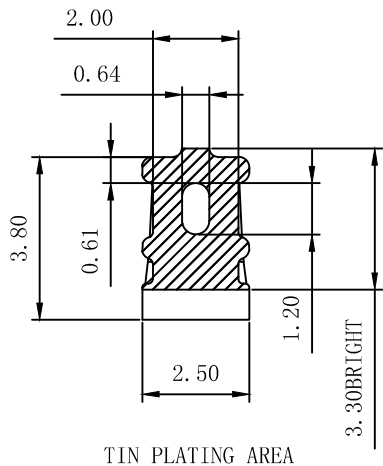
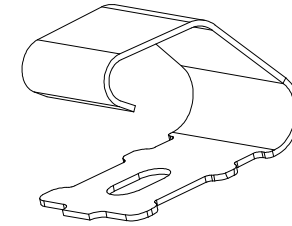


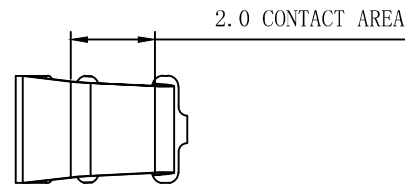
HSF



COMONENT SETAIL



TIN PLATING AREA



1. Material: Titanium Copper T= 0.10mm
 2. Contact Area: Au 0.8u "; Gold Plating in Other Areas; Nickel Base 30U "min;
 3. Salt Spray 24H
 4. Recommended Working Height=2.30mm/min Force=1.2N
 5. Recommended Minimum Working Height=1.90mm
- ELECTRICAL:
Current Rating:6A
- MECHANICAL:
Durability:2000 Cycles
- Environmental:
Operating Tempertupe:-55° C TO +125° C.

Ordering Code:
△ SF-S7091 - 42R - X - 23

PACKING:
B:Bag
T:Tape & Reel

Unless Otherwise specified tolerance
X. ±0.5 X.XX: ±0.25
X.X: ±0.38 X.XXX: ±0.15

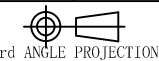
Antenk ANTENK ELECTRONICS CO.,LTD
Http://www.antenk.com
E-mail:sales@antenk.com

SCALE: As Shown UNIT: mm
DRAW Wu Feng Rong DATE 09/21/2021
CHECK BobYang DATE 09/21/2021

TITLE:
SMT SHIELD FINGER 2.7

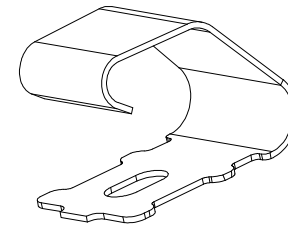
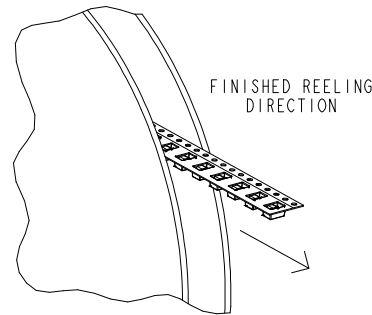
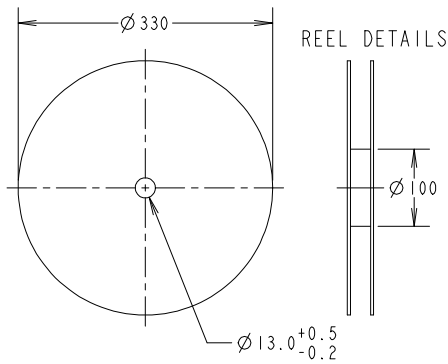
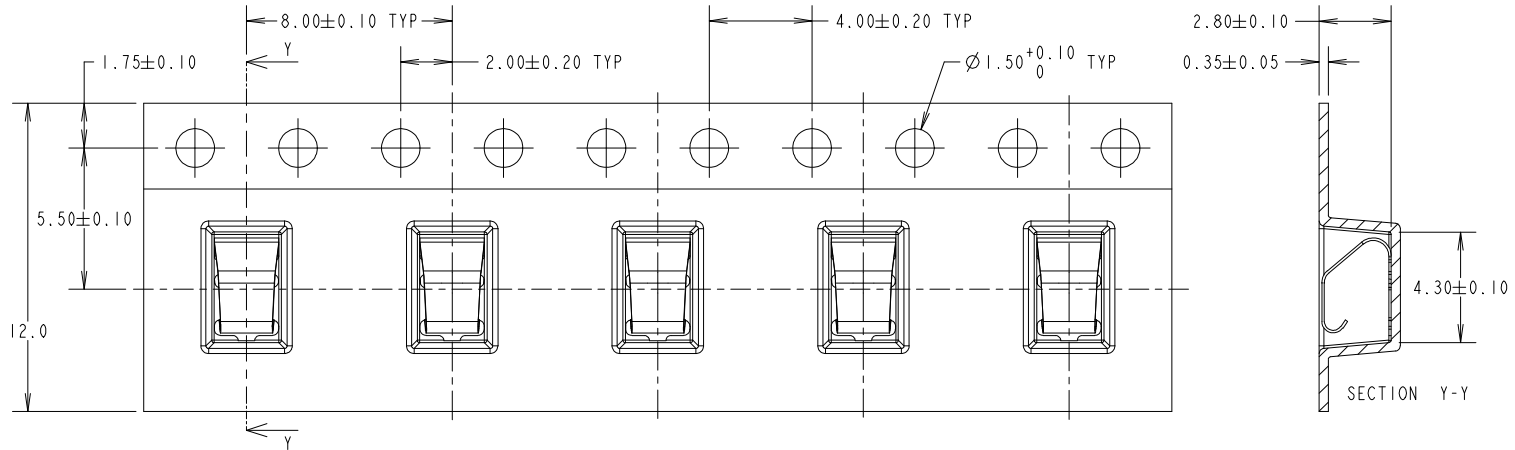
DRAWING NO: SF-S7091-42R-X-23
PRODUCT NO: SF-S7091-42R-X-23

△ chang part number from S7091-42R-X to SF-S7091-42R-X-23 06/04/2022



REV	DESCRIPTION	DATE

HSF



NOTES:
QUANTITY PER REEL=2500 PCS

Unless Otherwise specified tolerance
 X. ±0.5 X.XX: ±0.25
 X.X: ±0.38 X.XXX: ±0.15

Antenk ANTENK ELECTRONICS CO.,LTD
[Http://www.antenk.com](http://www.antenk.com)
 E-mail:sales@antenk.com

SCALE: As Shown UNIT: mm

DRAW Wu Feng Rong DATE 09/21/2021

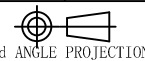
CHECK BobYang DATE 09/21/2021

TITLE: SMT SHIELD FINGER 2.7 IN TAPE AND REEL

DRAWING NO: SF-S7091-42R-X-23

PRODUCT NO: SF-S7091-42R-X-23

chang part number from S7091-42R-X to SF-S7091-42R-X-23 06/04/2022



REV	DESCRIPTION	DATE