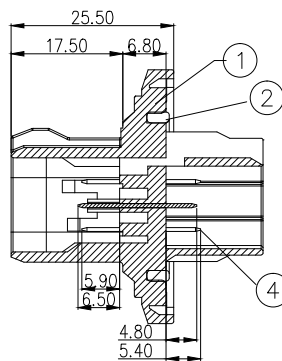
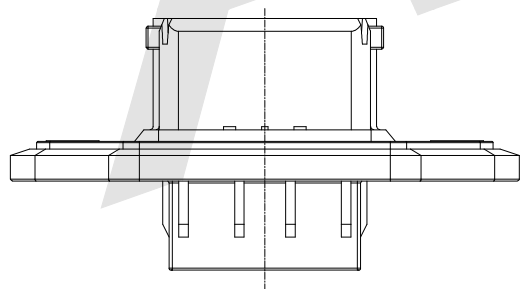
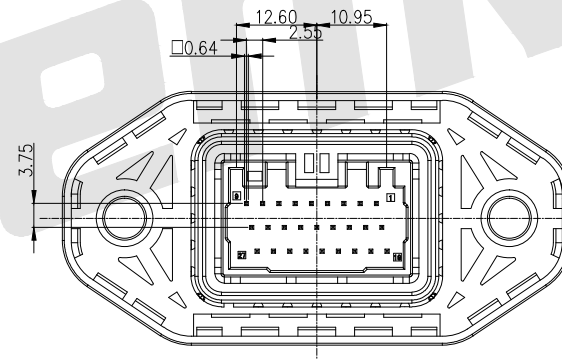
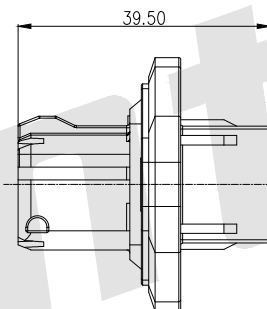
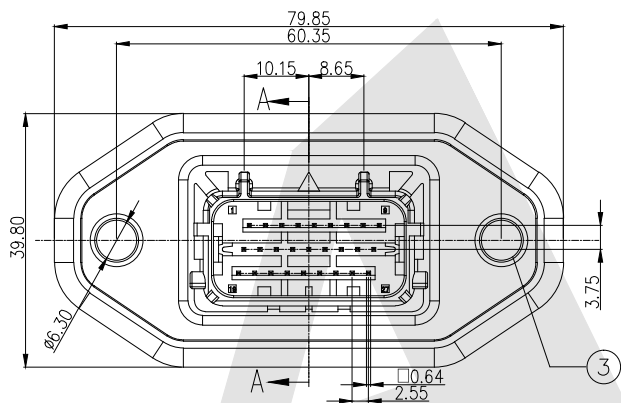
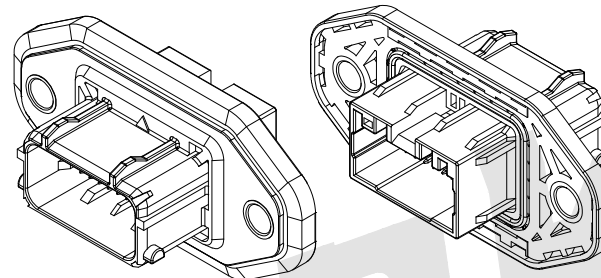
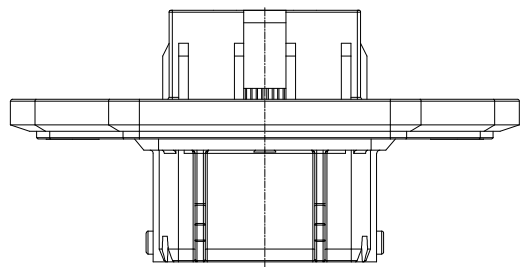


HSF



4	TERMINAL	BRASS	80-200μ" TIN PLATED
3	SCREW	BRASS	CLEAN
2	WATERPROOF RING	SILICA GEL	RED
1	BODY	PBT GF30%	BLACK
NO.	ITEM	MATERIAL	PLATING

Unless otherwise specified tolerance
 X. ±0.35 X.XX: ±0.20
 X.X: ±0.25 X.XXX: ±0.15

SCALE: As Shown UNIT: mm
 DRAW Wu Feng Rong DATE 08/07/2021
 CHECK BobYang DATE 08/07/2021

Antenk® ANTENK ELECTRONICS CO., LTD
[Http://www.antenk.com](http://www.antenk.com)
 E-mail: sales@antenk.com

TITLE:
 Automotive Connector 27P External Thread Assembly

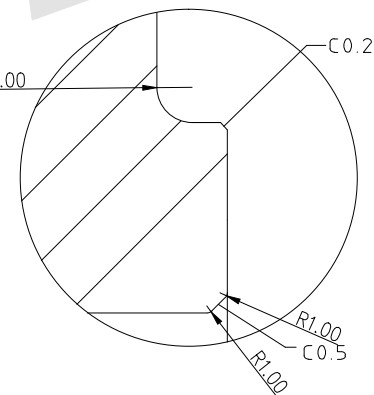
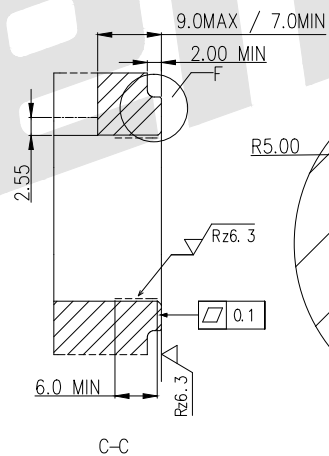
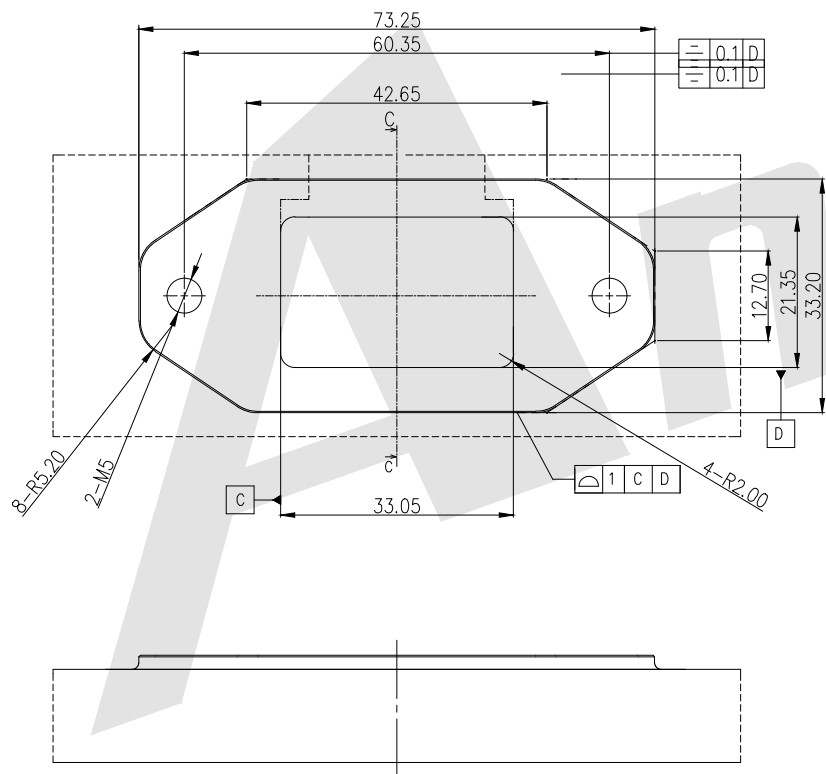
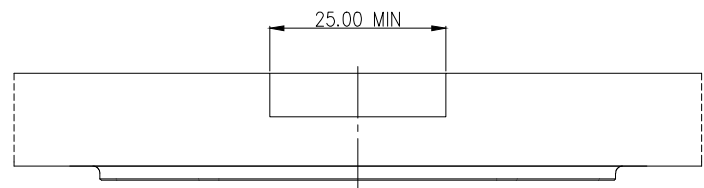
DRAWING NO: AUTO-BU27B-EVZ2K-2A1

PRODUCT NO: TUTO-BU27B-EVZ2K-2A1



REV	DESCRIPTION	DATE
1		
2		
3		
4		
5		

HSF



Unless otherwise specified tolerance
X. ±0.35 X.XX: ±0.20
X.X: ±0.25 X.XXX: ±0.15

SCALE: As Shown UNIT: mm
DRAW: Wu Feng Rong DATE: 08/07/2021
CHECK: BobYang DATE: 08/07/2021



Antenk® ANTENK ELECTRONICS CO., LTD
Http://www.antenk.com
E-mail:sales@antenk.com

TITLE:
Automotive Connector 27P External Thread Assembly

DRAWING NO: AUTO-BU27B-EVZ2K-2A1

PRODUCT NO: TUTO-BU27B-EVZ2K-2A1

REV	DESCRIPTION	DATE