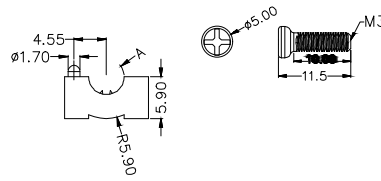
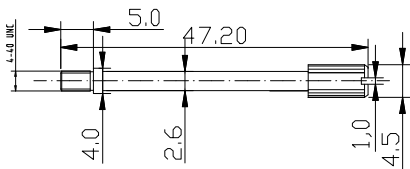
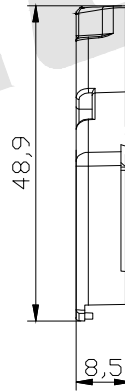
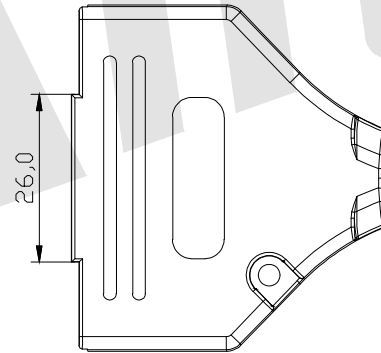
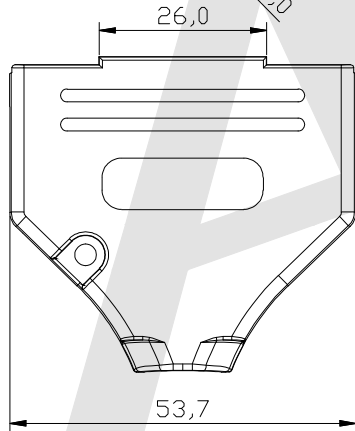
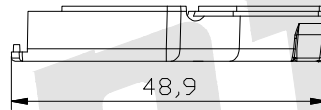
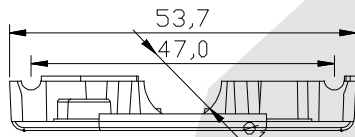
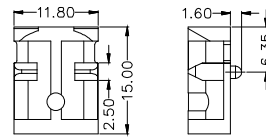
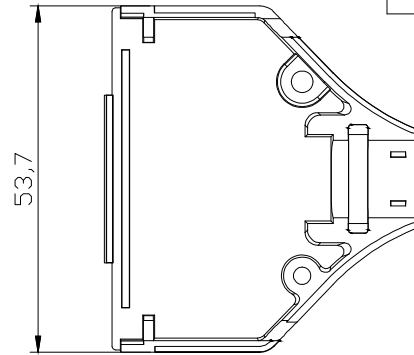
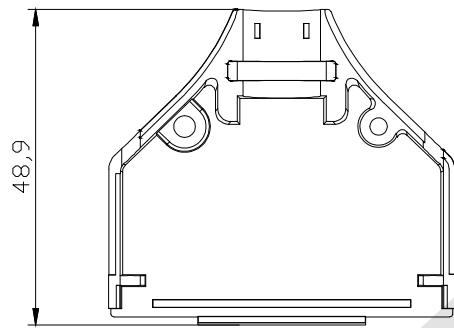


HSF



ROHS



Grommets	A
Grommets	Ø5.0
Grommets	Ø6.0
Grommets	Ø7.0
Grommets	Ø8.0
Grommets	Ø9.0
Grommets	Ø10.0

Unless otherwise specified tolerance
 X. ±0.35 X.XX: ±0.20
 X.X: ±0.25 X.XXX: ±0.15

SCALE: As Shown	UNIT: mm
DRAW TMX	DATE 12/09/2021
CHECK BobYang	DATE 12/09/2021

Antenk® ANTENK ELECTRONICS CO., LTD
 Http://www.antenk.com
 E-mail:sales@antenk.com

TITLE:
 D-SUB METAL HOODS, 25P, Y TYPE, LONG SCREW

DRAWING NO: DBZY-25XX1
 PRODUCT NO: DBZY-25XX1

NOTES:

Material: zinc alloy
 Finished: chromate plated
 Ordering code:

DBZY - 25 - X - X - 1 Δ
 ① ② ③ ④ ⑤

- ① Series No:
Y type long screw
- ② Contact number:
25=25PIN
- ③ Cable entry size:
Dimension of "X"
 Δ X=A, See The Table
5=5mm
.....
10=10mm
- ④ Packing type
1: Mix packing
2: Separation packing
- ⑤ Series No: 1

Item	Description	Q'TY	Material	Finished
1	Below Shell	1PCS	Zinc alloy	Nickel Plated
2	Up Shell	1PCS	Zinc alloy	Nickel Plated
3	Long Screw	2PCS	Iron	Blue Zinc Plated
4	Short Screw	2PCS	Iron	Blue Zinc Plated
5	Grommets	1SET	ABS	Black

Δ Revise Entry Cable Dimension

Δ Revise Ordering Code

22/04/2022

22/04/2022

REV

DESCRIPTION

DATE



3rd ANGLE PROJECTION

1

2

3

4

5

6

7

8