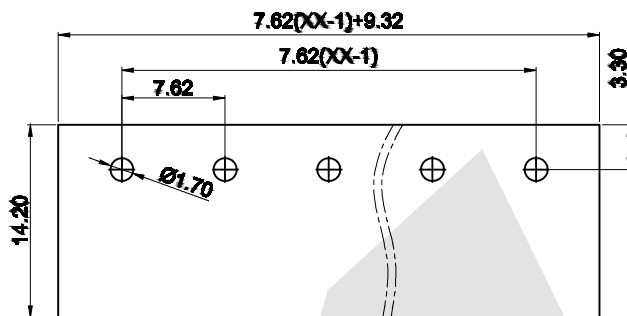
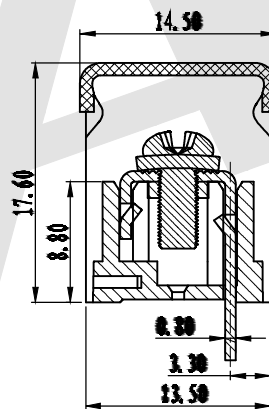


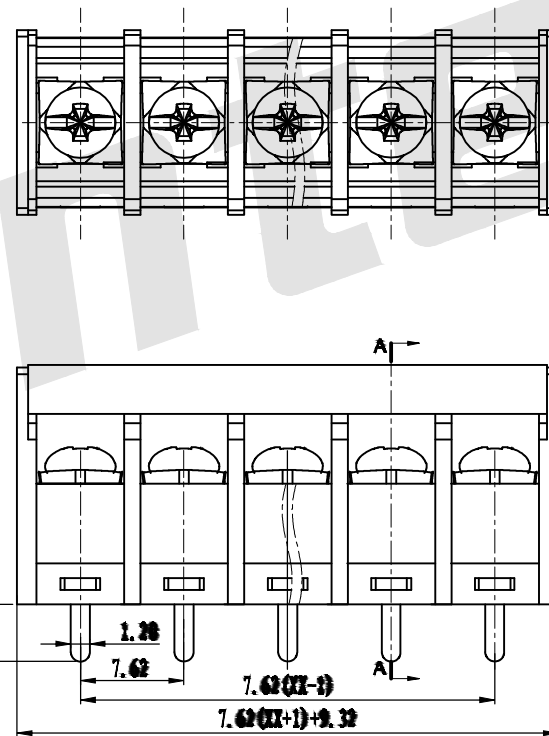
HSF



**P.C.B. LAYOUT**



**SECTION A-A**



**SPECIFICATION**

Standard(参考标准): UL IEC  
 Voltage Rating (额定电压): 300V 450V  
 Current Rating(额定电流): 15A 17.5A  
 Wire range(使用线径): 22-14AWG 1.5mm<sup>2</sup>  
 Withstanding voltage(耐电压): AC2000V/1Min  
 Insulation resistance(绝缘电阻): 500MΩ/DC500V  
 Temp Rang(温度范围): -40° C ~ +105° C  
 Max Torque(最大锁紧力矩): 0.5Nm(4.5lb. in)  
 Housing(塑件): PA66, UL94V-0  
 Screw(螺丝): Steel, M3.0 Ni-Plated  
 Terminal(端子): Brass. 0.8t, Tin Plated  
 Pitch(间距): 7.62mm  
 Poles(极数): 2P-26P

Ordering Code:

AT828 - 7.62 - XX - X - S

Pitch:  
7.62:7.62mm

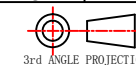
Poles:  
02: 2 Contacts  
03: 3 Contacts  
... ..  
22: 22 Contacts

Insulator color:  
A:Green B:Blue  
C:Black G:Gray  
0:Orange T:Transparent  
R:Red Y:Yellow  
W:White

S:Series number.

Unless Otherwise specified tolerance  
 X. ±0.35 X.XX: ±0.20  
 X.X: ±0.25 X.XXX: ±0.15

SCALE: As Shown	UNIT: mm
DRAW Wu Sai	DATE 22/03/2018
CHECK BobYang	DATE 22/03/2018



**Antenk**® ANTENK ELECTRONICS CO., LTD  
 Http://www.antenk.com  
 E-mail:sales@antenk.com

TITLE:  
Barrier Terminal Block Pitch:7.62mm

DRAWING NO: AT828-7.62XXX-S

PRODUCT NO: AT828-7.62XXX-S

REV	DESCRIPTION	DATE
1		
2		
3		
4		
5		