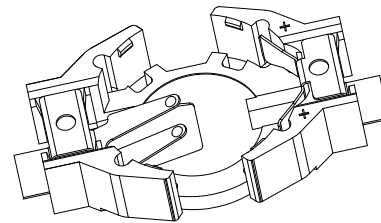
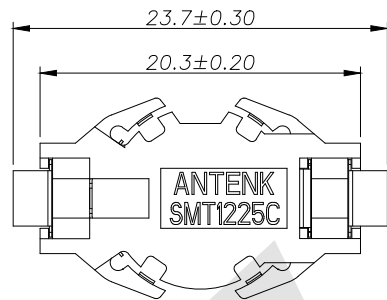


HSF



RoHS



NOTES:

1. Housing: LCP E130i, UL94V-0 UL No:E106764 Colr:Nature
2. Contact: Spring Stainless Steel 301 First Grade, T=0.15mm High Temp Tin Plated 100-200U'' over Nickel 30u''
3. Working Temp: -40° C To +100° C



Order Code:

BT - M - SN - X - 1225C

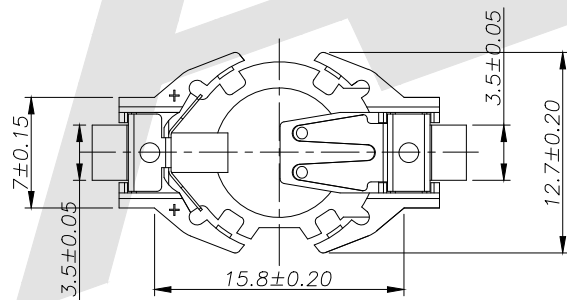
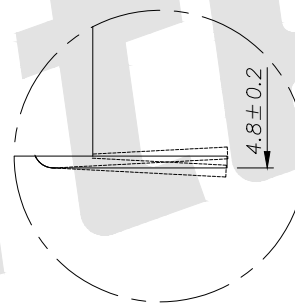
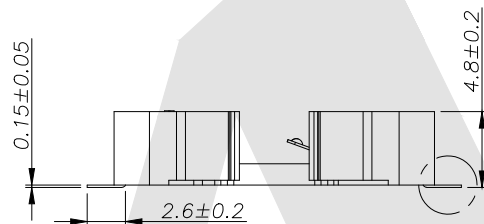
① ② ③ ④ ⑤

- ① BT:Coin Cell Holders
  - ② Apperance For The Product
- M:SMT TYPE

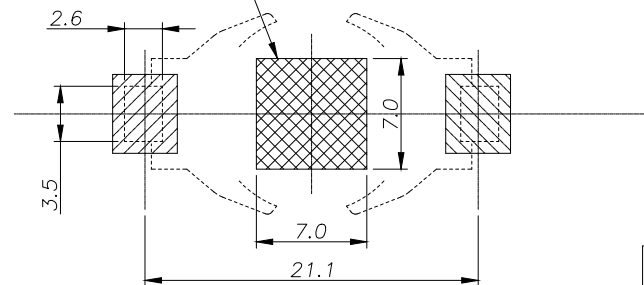
- ③ Contact Plating
- SN: Tin
- |               |               |
|---------------|---------------|
| G0:G0ld flash | G1: 3U'' Gold |
| G2: 5U'' Gold | G3:10U'' Gold |
| G4:15U'' Gold | G5:30U'' Gold |

- ④ Packing Method
- A: Tray Packing  
R: Tape & Reel Packing

- ⑤ Product Number
- 1225C



Zone for adhesive fixation  
(as reference only)



PCB LAYOUT (TOP VIEW)

Unless Otherwise specified tolerance  
 X. ±0.38      X.XX: ±0.20  
 X.X: ±0.25    X.XXX: ±0.10



ANTENK ELECTRONICS CO.,LTD  
[Http://www.antenk.com](http://www.antenk.com)  
 E-mail:sales@antenk.com

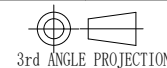
SCALE: As Shown	UNIT: mm
DRAW Gong Feng	DATE 11/9/2020
CHECK BobYang	DATE 11/09/2020

TITLE:

Coin Cell Holders SMT For 1225C

DRAWING NO: BT-M-SN-X-1225C

PRODUCT NO: BT-M-SN-X-1225C



3rd ANGLE PROJECTION

②	Change BS to BT	01/12/2023
①	Update	02/08/2021
REV	DESCRIPTION	DATE