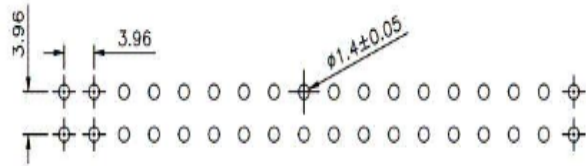


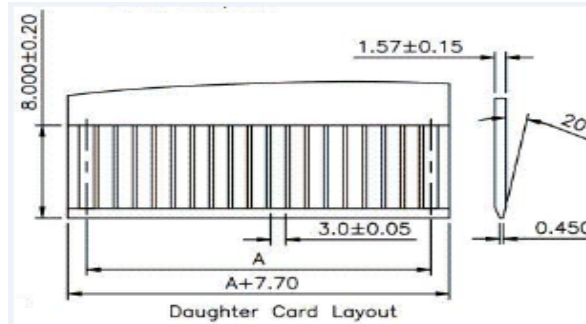
HSF



ROHS



Recommended P.C.B. Layout



Daughter Card Layout

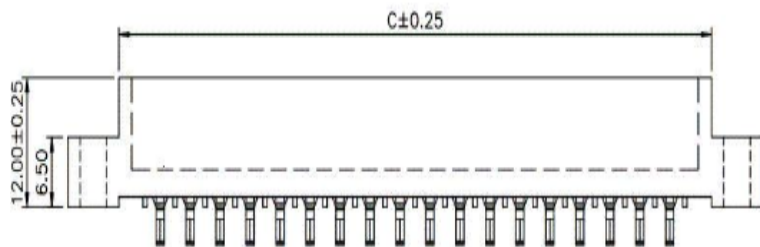
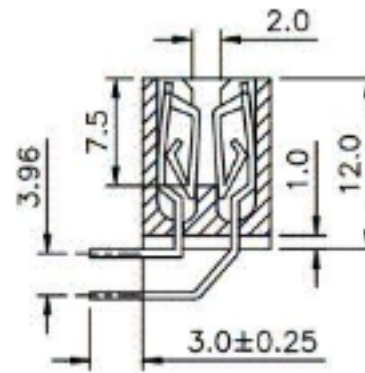
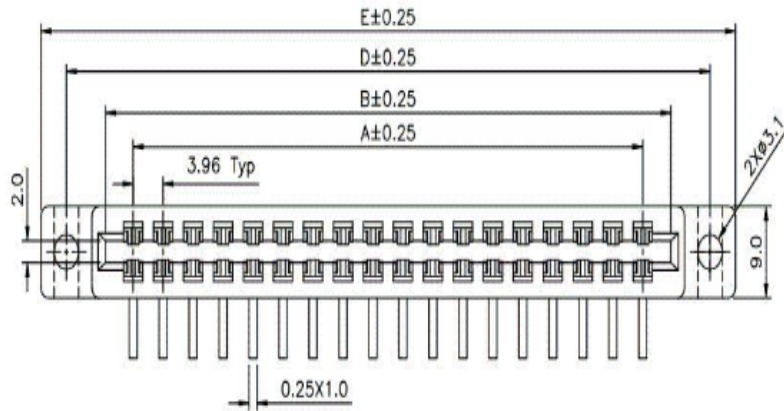
SPECIFICATION

- CURRENT RATING:3AMP
- DIELECTRIC WITHSTANDING VOLTAGE:1000V AC RMS 60Hz. 1MIN
- CONTACT RESISTANCE:20 MILLIOHMS MAX
- INSULATION RESISTANCE:5000 MEGOHMS MIN. At 500V DC
- OPERATION TEMPERATURE:-55° C TO +105° C
- INSERTION FORCE:0.4Kgf MAX. Per Pair
Insulator:PBT+G.F. (UL94V-0)
CONTACT:BRASS OF PHOSPHOR BRONZE GOLD PLATED ON CONTACT AREA
TIN PLATED ON SOLDER TAILS, OVER NICKEL

Order code:

ECCR - X - B - 5 - S0 - X - B - 05
① ② ③ ④ ⑤ ⑥ ⑦ ⑧

- ① SERIES NO:ECCS
- ② Number of Pins:X
FOR Example:56=56P
- ③ Pitch:B:3.96MM
- ④ DIP Length:X
3.0=3.0MM
- ⑤ Contact Plating
G0:Gold flash
S0: Gold flash/Ni
G1: 3U" Gold
G2: 5U" Gold
G3:10U" Gold
G4:15U" Gold
G5:30U" Gold
SN:Tin
- ⑥ Plastic Materials:
P:PBT
L:LCP
- ⑦ Packing
A:Tray
B:Bag
T:Tube
U:Tube+CAP
R:Tape&Reel
W:Tape&Reel+CAP
- ⑧ Product NO. :05



Pin	A	B	C	D	E
10	15.84	24.06	27.40	34.94	41.24
12	19.80	28.02	31.36	38.90	45.20
16	27.72	35.94	39.28	46.82	53.12
20	35.64	43.86	47.20	54.74	61.04
24	43.56	51.78	55.12	62.66	68.96
30	55.44	63.66	67.00	74.54	80.84
36	67.32	75.54	78.88	86.42	92.72
40	75.24	83.46	86.80	94.34	100.64
44	83.16	91.38	94.72	102.26	108.56
48	90.08	99.30	102.64	110.18	116.48
50	95.04	103.26	106.60	114.14	120.44
56	106.92	115.14	118.48	126.02	132.32

Unless Otherwise specified tolerance
X. ± 0.35 X.XX: ± 0.20
X.X: ± 0.25 X.XXX: ± 0.15



ANTENK ELECTRONICS CO.,LTD
Http://www.antenk.com
E-mail:sales@antenk.com

SCALE: As Shown	UNIT: mm
DRAW Wu Feng Rong	DATE 11/10/2020
CHECK BobYang	DATE 11/10/2020

TITLE:
3.96mm Slot Right Angle DIP Connectors with mounting ears



DRAWING NO: ECCR-XB3.0S0XB05
PRODUCT NO: ECCR-XB3.0S0XB05

REV	DESCRIPTION	DATE
1		