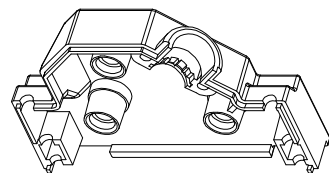
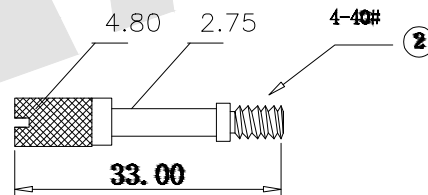
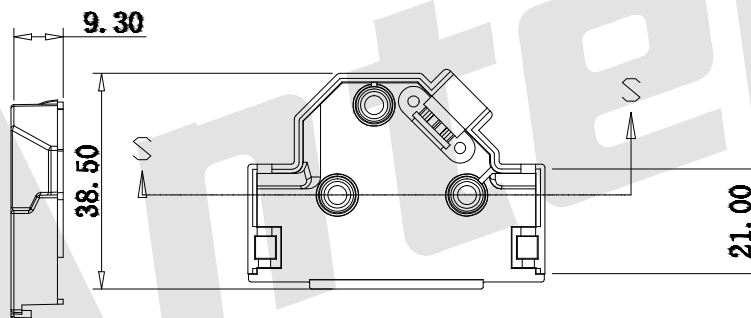
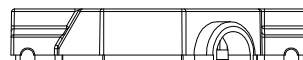
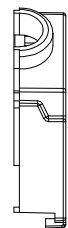
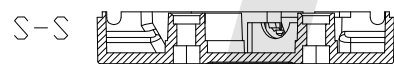
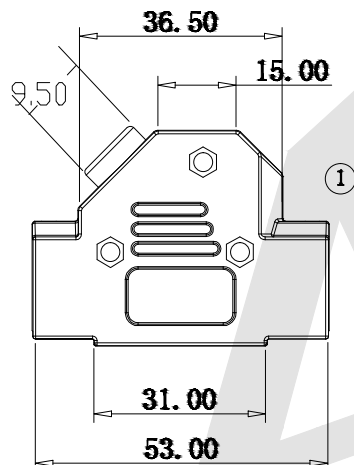


HSF



出线孔锁线范围;5.00—9.50mm

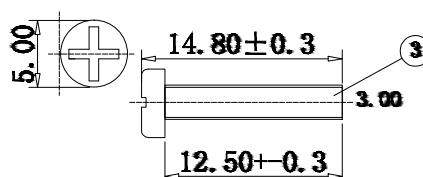
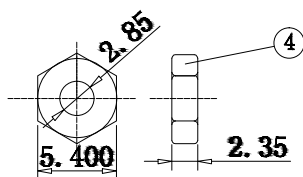
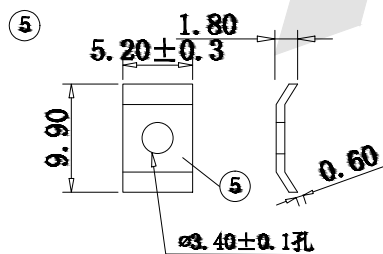


1. 45° D-SUB 25PIN, plastic assembly shell, top and bottom plate, black or grey
2. #4-40 screw, UNC. overall length 33.00mm, nickel steel
3. M3*14.80 screw

ORDERING CODE:

DBP04 - 25 - X - X - 1 - 0
 ① ② ③ ④ ⑤ ⑥

- | | |
|--|---|
| ① Series No:
Plastic Hoods | ④ PACKING TYPE
1:Mix packing
2:Separation packing |
| ② CONTACT NUMBER:
25=25PIN | ⑤ SCREW TYPE:
1:Long screw |
| ③ Color Code:
B:Black L:Gray
W:Lvory | ⑥ Series No:
0 |

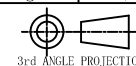


Unless Otherwise specified tolerance
 X. ±0.35 X.XX: ±0.20
 X.X: ±0.25 X.XXX: ±0.15

Antenk ANTENK ELECTRONICS CO., LTD
[Http://www.antenk.com](http://www.antenk.com)
 E-mail:sales@antenk.com

SCALE: As Shown	UNIT: mm
DRAW Le'an Zhang	DATE 10/01/2022
CHECK BobYang	DATE 10/01/2022

TITLE:
Standard D-SUB 25 pin solder type long screw



DRAWING NO: DBP04-25XX10
 PRODUCT NO: DBP04-25XX10

REV	DESCRIPTION	DATE