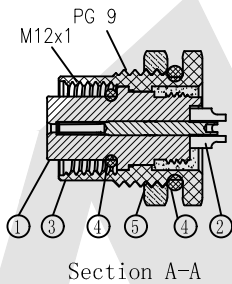
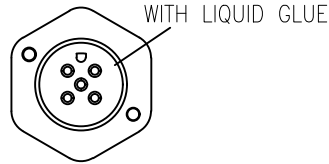
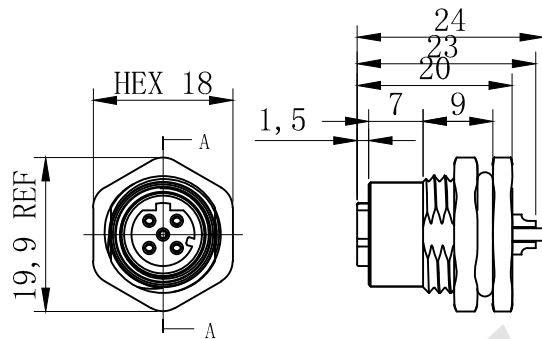


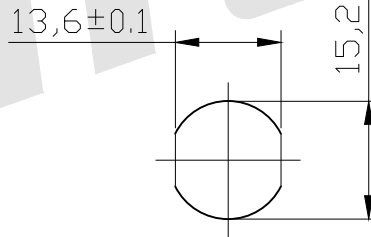
HSF



ROHS



3D View



Recommended Panel CUT-Out

Notes:

- Waterproof rate: IP68  
IP68: Immersed in 1M water for 24 hours
- Electrical characteristics  
Temperature range: -40° C to +100° C  
rating: 60V AC/DC 5A  
Dielectric withstanding voltage: 500V AC for one minute
- For panel thickness Max of 4.0mm

Order Code:

$\frac{M12}{①} - \frac{D}{②} - \frac{XP}{③} - \frac{F}{④} - \frac{114}{⑤}$

- ① Type of M series: M12
- ② Code option: D Code
- ③ NO. of PINS: 03~05
- ④ Gender option: Female
- ⑤ Series number: 114

M12-D-03P -F-114	
M12-D-04P -F-114	
M12-D-05P -F-114	
P/N	PIN ASSIGNMENTS FRONT VIEW

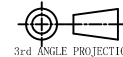
5	Nut	Copper alloy	Nickel plating 60u	1
4	Waterproof ring	Silicone	Red	2
3	Shell	Copper alloy	Nickel plating 60u	1
2	Female PIN	Copper alloy	Gold plating 3u	3~5
1	Plastic core	Nylon UL94 V-0	Black	1
NO.	ITEM	MATERIALS	SURFACE	QUANTITY

Unless Otherwise specified tolerance  
X. ±0.35 X.XX: ±0.20  
X.X: ±0.25 X.XXX: ±0.15

SCALE: As Shown UNIT: mm

DRAW ZLA DATE 07/04/2022

CHECK BobYang DATE 07/04/2022



**Antenk** ANTENK ELECTRONICS CO., LTD  
Http://www.antenk.com  
E-mail: sales@antenk.com

TITLE:  
M12 3~5P Female Lock Front PG9 D Code  
Solder Type

DRAWING NO: M12-D-XP-F-114

PRODUCT NO: M12-D-XP-F-114

REV	DESCRIPTION	DATE