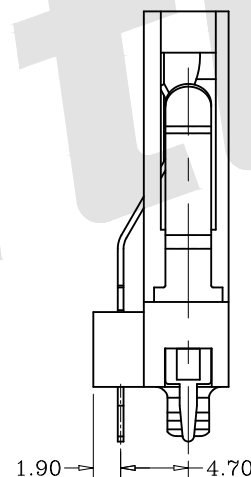
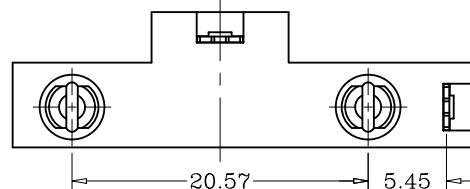
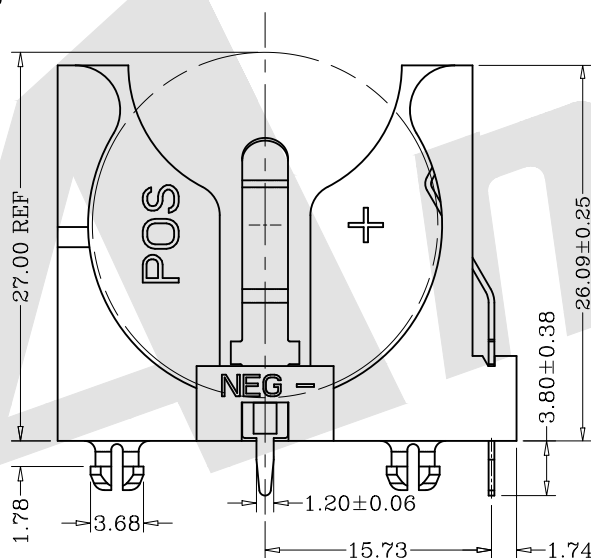
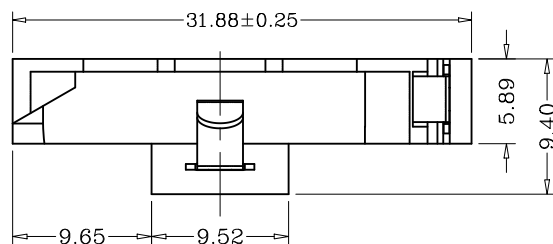
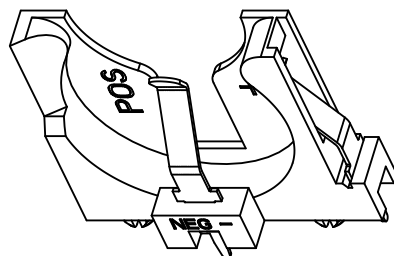


HSF



ROHS



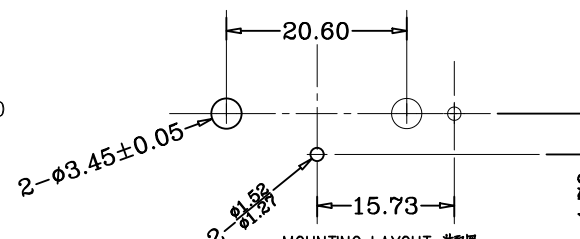
NOTE 说明:

1. BASE 胶芯:PBT(UL94V-0) BLACK 黑色
2. CONTACTS 端子:0.4 TH'K STAINLESS STEEL
0.4mm 厚不锈钢
3. FINISH 电镀: TIN NICKEL PLATE 镍底镀锡

Order code 订单编号:

BT - S - SN - B - CR2450-068
① ② ③ ④ ⑤

- ① BT: Coin Cell Holders 纽扣电池座
- ② Apperance for the product 连接形式
S:180 TYPE
- ③ Contact Plating 端子电镀
SN:Tin 锡
G0:Gold flash 普金
G1: 3U" Gold 金
G2: 5U" Gold 金
G3:10U" Gold 金
G4:15U" Gold 金
G5:30U" Gold 金
- ④ Packing method 包装方式
A: Tray 吸塑盒装
R: Tape & reel 卷装
B: Bag 袋装
- ⑤ Product number 产品编号
CR2450-068



MOUNTING LAYOUT 装配图

TOLERANCE ±0.05 UNLESS OTHERWISE SPECIFIED.
默认公差±0.05

Unless Otherwise specified tolerance
X.±0.35 X.XX:±0.20
X.X:±0.25 X.XXX:±0.15

SCALE: As Shown UNIT: mm
DRAW ZLA DATE 1/11/2022
CHECK BobYang DATE 1/11/2022
VER./版本号



3rd ANGLE PROJECTION

Antenk® ANTENK ELECTRONICS CO.,LTD
Http://www.antenk.com
E-mail:sales@antenk.com

TITLE: COIN CELL HOLDER FOR CR2450 DIP 180°
CR2450 纽扣电池座 180° 插板

DRAWING NO: BT-S-SN-B-CR2450-068

PRODUCT NO: BT-S-SN-B-CR2450-068

MK/标记

DESCRIPTION/修订内容

DATE/日期(M/D/Y)

A0