

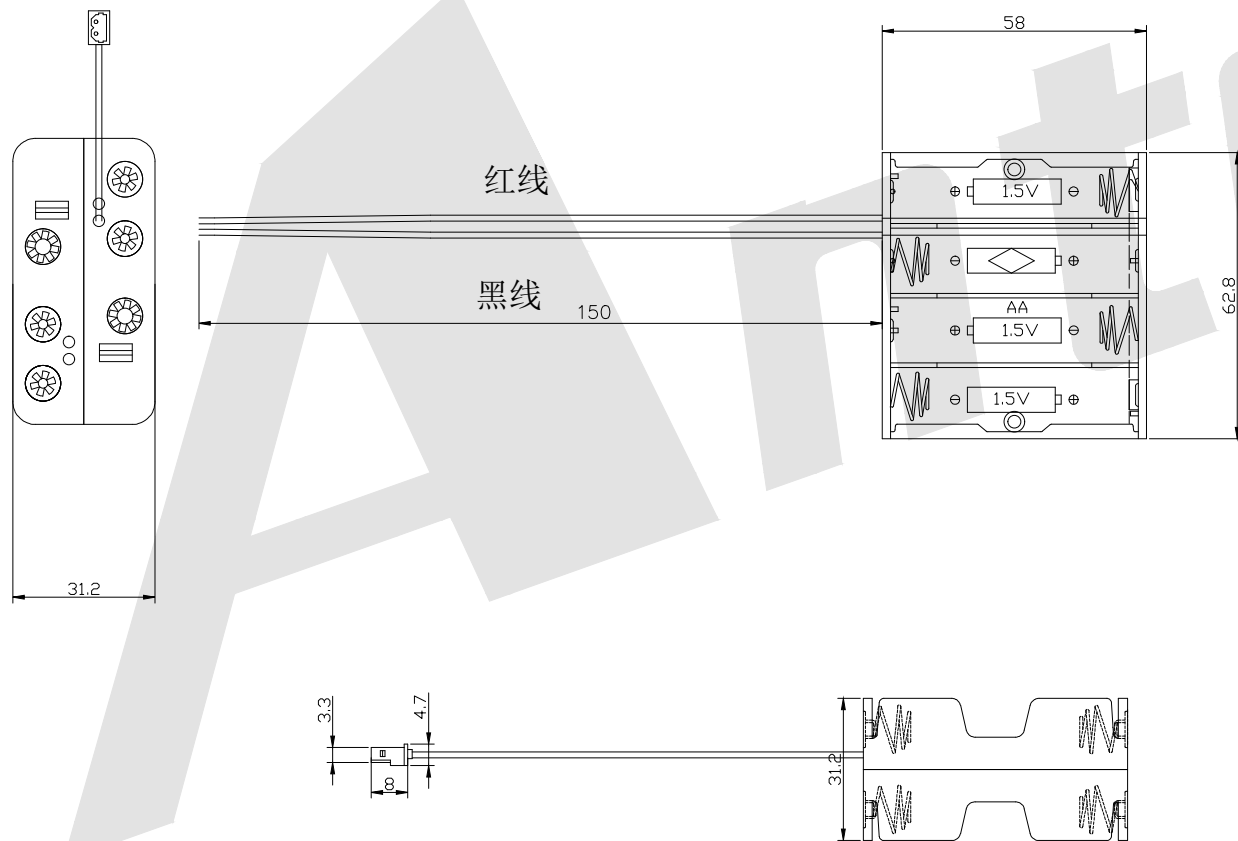


NOTE:

Base Material:PP Resin,Black
 Flammability Rating:UL94-HB or Custom Made
 Temperature Range:-10° c to 100° c
 Wire:UL1007 26AWG,300V,80° C
 150±5mm Strip and Tin 5±1mm
 Spring:0.65mm 65C Spring Wire ,Nickel Plated
 Rivets:Brass Nickel Plated
 RoHS COMPLIANT
 Ordering Code:

△ BBA - 5 - 8 - 150 - 2 - A - S
 ① ② ③ ④ ⑤ ⑥ ⑦

- △ ① BBA: Battery Holders
- ② BATTERY TYPE
5: AA SIZE
- ③ BATTERY NUMBERS
8: 8 pieces
- ④ Wire Length
For example:
150=150mm
- ⑤ Double
2:Double
- ⑥ Packing
A:TRAY
- ⑦ S:WITH SOCKET



Unless Otherwise specified tolerance
 X. ±0.35 X.XX: ±0.20
 X.X: ±0.25 X.XXX: ±0.15

Antenk ANTENK ELECTRONICS CO.,LTD
[Http://www.antenk.com](http://www.antenk.com)
 E-mail:sales@antenk.com

SCALE: As Shown UNIT: mm
 DRAW Jack Bao DATE 01/13/2019
 CHECK BobYang DATE 01/13/2019

TITLE: 8 PIECES AA Battery Holders 4P DOUBLE WITH SOCKET

DRAWING NO: BBB-5-8-150-2-A-S

PRODUCT NO: BBB-5-8-150-2-A-S



REV	DESCRIPTION	DATE
△	Change BBB to BBA	09/16/2023