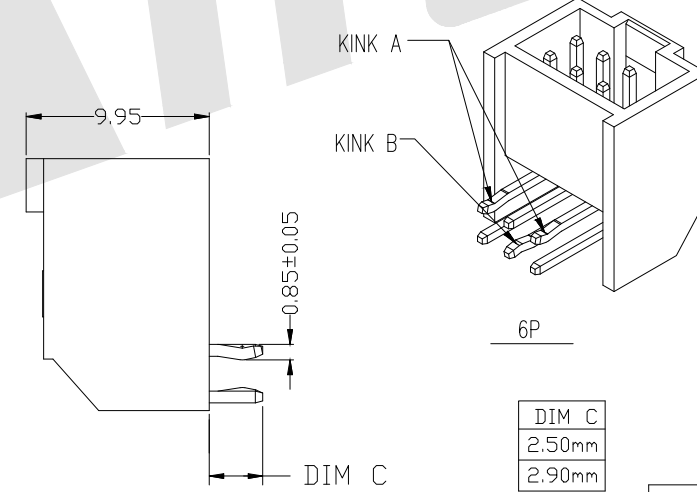
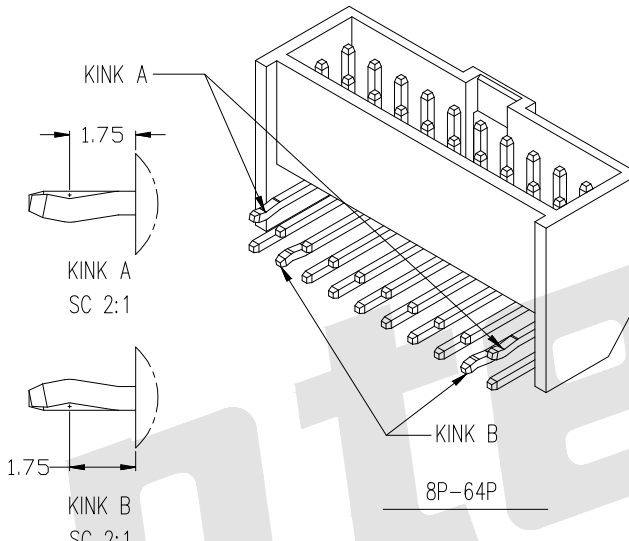
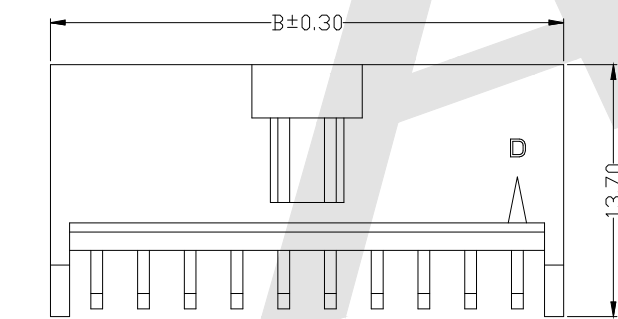
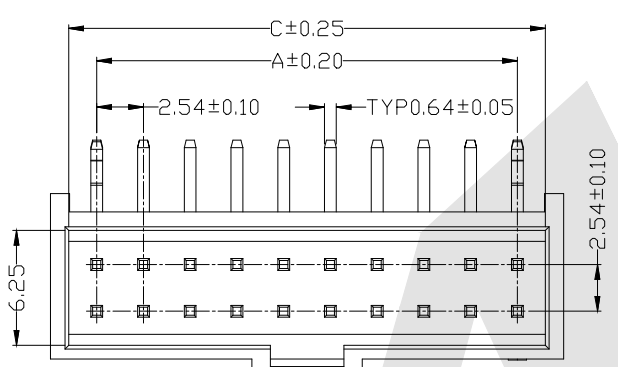
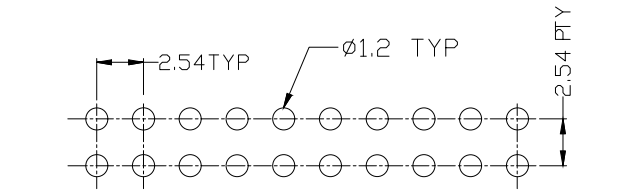


HSF



DIM C  
2.50mm  
2.90mm

Specifications  
 Voltage Rating: 250V AC/ DC  
 Current Rating: 3A AC/DC  
 Withstanding Voltage: 1500V AC Minute  
 Insulation Resistance: 1000MΩ Min.  
 Temperature Range: -25°C~+85°C  
 Contact Resistance: 20mΩ Max.  
 Pin Material: Brass/Gold flash or Tin-plated  
 Housing Material; PBT,UL94V-0,Black

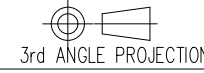
AW2542R - 2xNP - X - X  
 ① ② ③ ④

- ① Series No.
- ② Circuit No.: 2\*3P~2\*32P
- ③ Plating:  
G:Gold flash, Sn: Tin plated
- ④ Option:  
K: K type, Tin feet 2.9mm  
K1: K1 type, Tin feet 2.5mm

Poles	Dimensions (mm)			Poles	Dimensions (mm)		
	A	B	C		A	B	C
2*3P	5.08	10.12	8.02	2*21P	50.8	55.84	53.74
2*4P	7.62	12.66	10.56	2*22P	53.34	58.38	56.28
2*5P	10.16	15.2	13.1	2*23P	55.88	60.92	58.82
2*6P	12.7	17.74	15.64	2*24P	58.42	63.46	61.36
2*7P	15.24	20.28	18.18	2*25P	60.96	66	63.9
2*8P	17.78	22.82	20.72	2*26P	63.5	68.54	66.44
2*9P	20.32	25.36	23.26	2*27P	66.04	71.08	68.98
2*10P	22.86	27.9	25.8	2*28P	68.58	73.62	71.52
2*11P	25.4	30.44	28.34	2*29P	71.12	76.16	74.06
2*12P	27.94	32.98	30.88	2*30P	73.66	78.7	76.6
2*13P	30.48	35.52	33.42	2*31P	76.2	81.24	79.14
2*14P	33.02	38.06	35.96	2*32P	78.74	83.78	81.68
2*15P	35.56	40.6	38.5				
2*16P	38.1	43.14	41.05				
2*17P	40.64	45.68	43.58				
2*18P	43.18	48.22	46.12				
2*19P	45.72	50.76	48.66				
2*20P	48.26	53.3	51.2				

Unless Otherwise specified tolerance  
 X.±0.35 X.XX:±0.20  
 X.X:±0.25 X.XXX:±0.15

SCALE: As Shown UNIT: mm  
 DRAW ZLA DATE 07/07/2022  
 CHECK BobYang DATE 07/07/2022



**Antenk**® ANTENK ELECTRONICS CO.,LTD  
 Http://www.antenk.com  
 E-mail:sales@antenk.com

TITLE:  
2.54mm pitch 90° wafer connector series

DRAWING NO: AW2542R-2xNP-X-X  
 PRODUCT NO: AW2542R-2xNP-X-X

REV	DESCRIPTION	DATE