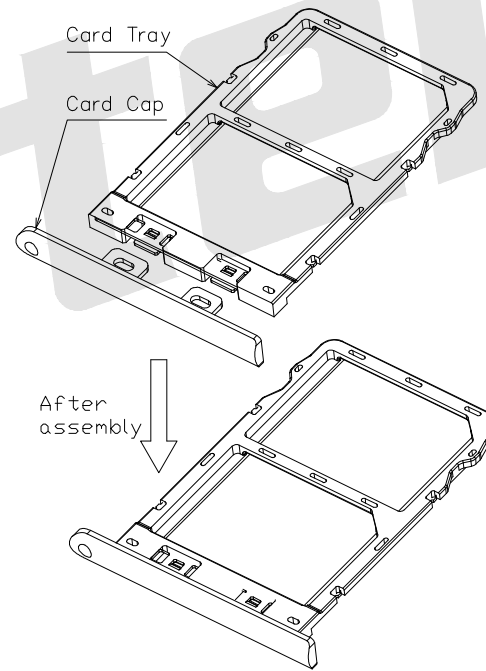
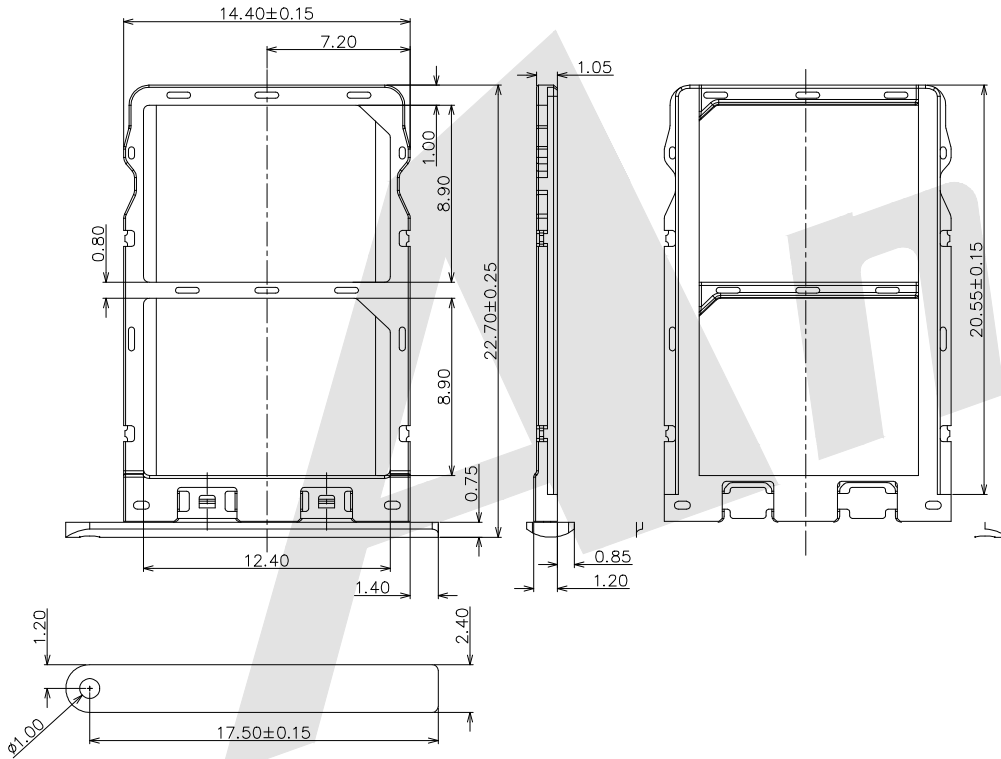
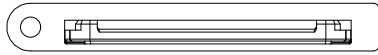


HSF



ROHS



NOTES:
 MATERIAL :
 HOUSING: LCP ,BLACK;
 Cap: Aluminum alloy, Silvery white
 SHEET METAL:STAINLESS STEEL
 SIM CARD CAP: Aluminum Alloy

Ordering Code:
 ATK - NSIM - T - 002
 ① ② ③

- ① Company Name:
ATK
- ② Card Tray:
T
- ③ Series Number:
002

TEM	PART NAME	Q'TY	MATERIAL	FINISH
1	HOUSING	1	Hi-temp Thermoplastic	Black UL94V-0
2	SHEET METAL	1	Stainless Steel	
3	SIM CARD CAP	1	Aluminium Alloy	

Unless Otherwise specified tolerance
 X. ±0.35 X.XX: ±0.20
 X.X: ±0.25 X.XXX: ±0.15

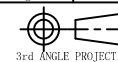
SCALE: As Shown	UNIT: mm
DRAW ZLA	DATE 23/02/2022
CHECK BobYang	DATE 23/02/2022

Antenk ANTENK ELECTRONICS CO.,LTD
 Http://www.antenk.com
 E-mail:sales@antenk.com

TITLE:
 DUAL NANO-SIM Card Tray With cap for Assembled Type

DRAWING NO: ATK-NSIM-T-002

PRODUCT NO: ATK-NSIM-T-002



REV DESCRIPTION DATE

1 2 3 4 5 6 7 8