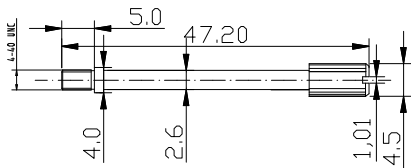
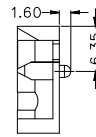
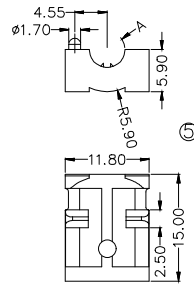
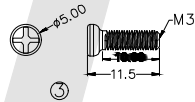
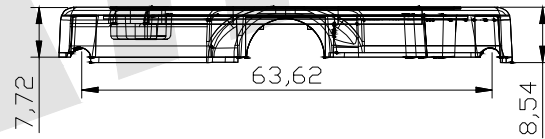
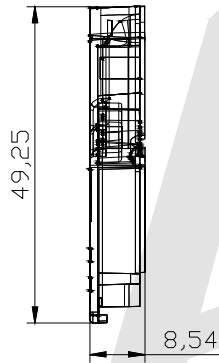
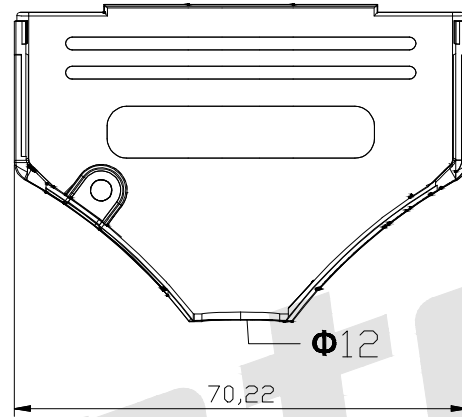
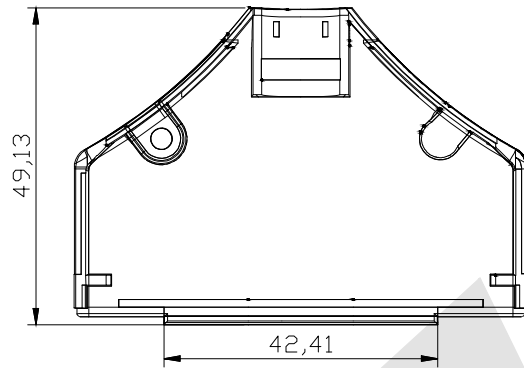


HSF



ROHS



NOTES:

Material: zinc alloy
 Finished: chromate plated
 Ordering code:

DBZY - 37 - X - X - 1 Δ
 ① ② ③ ④ ⑤

- ① Series No:
Y type long screw
- ② Contact number:
37=37PIN
- ③ Cable entry size:
Dimension of "X"
 Δ X=A, See The Table
5=5mm
.....
10=10mm
- ④ Packing type
1: Mix packing
2: Separation packing
- ⑤ Series No: 1

| Item | Description | Q'TY | Material | Finished |
|------|-------------|------|------------|------------------|
| 1 | Below Shell | 1PCS | Zinc alloy | Nickel Plated |
| 2 | Up Shell | 1PCS | Zinc alloy | Nickel Plated |
| 3 | Long Screw | 2PCS | Iron | Blue Zinc Plated |
| 4 | Short Screw | 2PCS | Iron | Blue Zinc Plated |
| 5 | Grommets | 1SET | ABS | Black |

| | A |
|----------|-------|
| Grommets | Ø5.0 |
| Grommets | Ø6.0 |
| Grommets | Ø7.0 |
| Grommets | Ø8.0 |
| Grommets | Ø9.0 |
| Grommets | Ø10.0 |

Unless Otherwise specified tolerance
 X. ±0.35 X.XX: ±0.20
 X.X: ±0.25 X.XXX: ±0.15

SCALE: As Shown UNIT: mm
 DRAW: TMX DATE: 12/09/2021
 CHECK: BobYang DATE: 12/09/2021

Antenk ANTENK ELECTRONICS CO., LTD
 Http://www.antenk.com
 E-mail: sales@antenk.com

TITLE:
 D-SUB METAL HOODS, 37P, Y TYPE, LONG SCREW

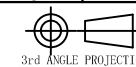
DRAWING NO: DBZY-37XX1
 PRODUCT NO: DBZY-37XX1

Δ Revise Entry Cable Dimension

22/04/2022

Δ Revise Ordering Code

22/04/2022



| REV | DESCRIPTION | DATE |
|-----|-------------|------|
| 1 | | |
| 2 | | |
| 3 | | |
| 4 | | |
| 5 | | |