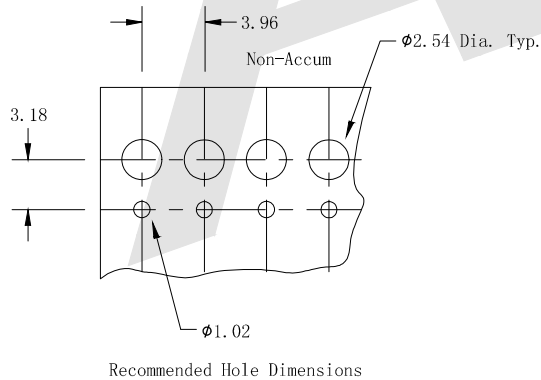
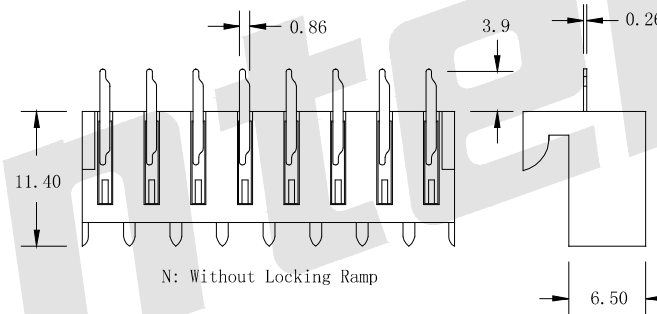
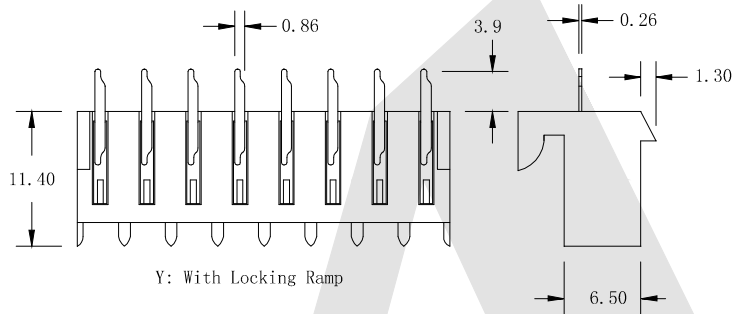
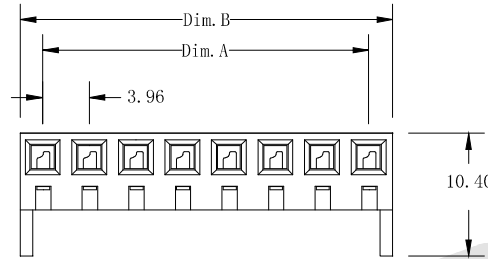
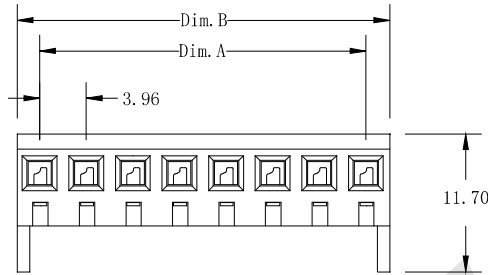




FEATURES:
 2-25 Circuits
 Housing, UL94V-2 Nylon 6 /6, Natural
 Designed for parallel and perpendicular board stacking, connection
 Mates with 1.14mm square pins
 SPECIFICATIONS:
 Current rating: 7A AC, DC
 Voltage rating: 250V AC, Maximum
 Temperature range: -40°C ~ +105°C
 Contact resistance: Initial Value /10mΩ max.
 After environmental testing /20mΩ max.
 Insulation resistance: 5000 MΩ min
 Withstand Voltage: 1500V AC /minute
 Applicable PC board thickness: 1.6mm



Circuits	Dim. A ± 0.20	Dim. B ± 0.20
2	3.96	7.82
3	7.92	11.78
4	11.88	15.74

FOR CIRCUIT SIZES 5 THROUGH 25 ADD 3.96MM FOR EACH ADDITIONAL PIN.

Ordering Code:

$\frac{AW3964S-xP}{\textcircled{1}} - \frac{Y}{\textcircled{2}} - \frac{N}{\textcircled{3}}$

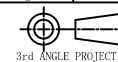
- ① Part No.
- ② Lock Option
Y: With Locking Ramp
N: Without Locking Ramp
- ③ Negative

Unless Otherwise specified tolerance
 X. ±0.35 X.XX: ±0.20
 X.X: ±0.25 X.XXX: ±0.15

SCALE: As Shown UNIT: mm

DRAW ZLA DATE 04/05/2022

CHECK BobYang DATE 04/05/2022



Antenk ANTEK ELECTRONICS CO., LTD
[Http://www.antenk.com](http://www.antenk.com)
 E-mail: sales@antenk.com

TITLE: 3.96mm 180° Negative Wafer Connector Series

DRAWING NO: AW3964S-xP-X-N

PRODUCT NO: AW3964S-xP-X-N

REV DESCRIPTION DATE

1 2 3 4 5 6 7 8