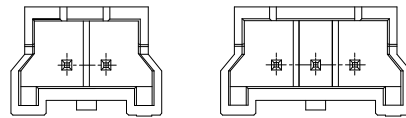
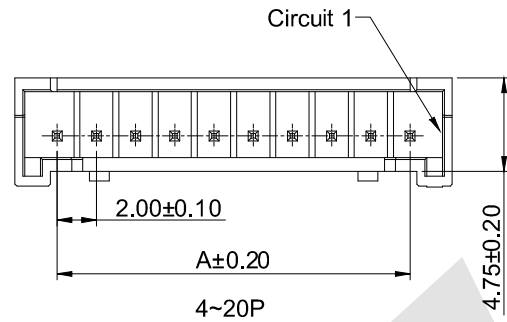
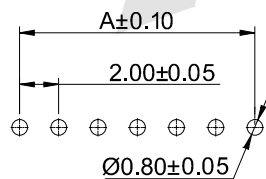
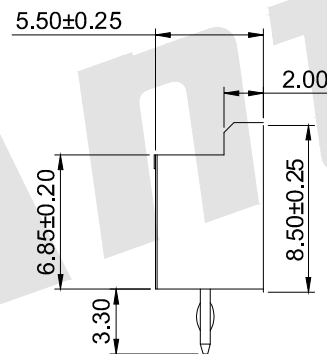
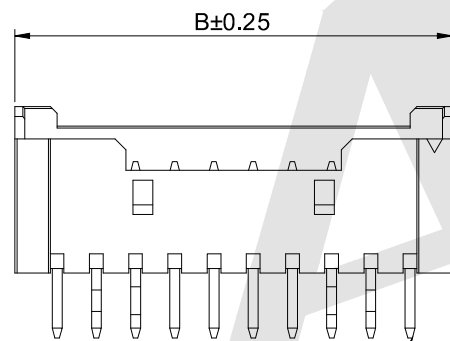


HSF

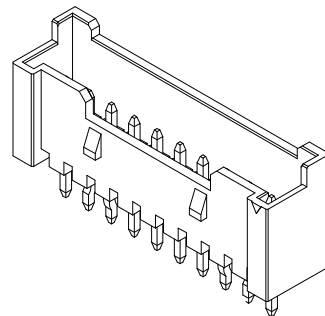


2P

3P



P.C.B LAYOUT



SPECIFICATIONS

- Voltage rating: 250V AC,DC
- Current rating: 3A, AC, DC
- Withstanding Voltage: 1000V AC/minute
- Insulation resistance: 1000MΩ min
- Temperature range: -40°C~+105°C

WAFER

- Part NO: AW2008VA-NP
- Material: Pin: Brass/Tin over Nickel
Insulator: Nylon 66, UL94V-0
- Mates with: AH2008A Single Row series Housing
- Color: Ivory

Ordering Information & Dimensions:

Poles	Part No.	Dimensions (mm)	
		A	B
2	AW2008VA-02P	2.00	7.70
3	AW2008VA-03P	4.00	9.70
4	AW2008VA-04P	6.00	10.30
5	AW2008VA-05P	8.00	12.30
6	AW2008VA-06P	10.00	14.30
7	AW2008VA-07P	12.00	16.30
8	AW2008VA-08P	14.00	18.30
9	AW2008VA-09P	16.00	20.30
10	AW2008VA-10P	18.00	22.30
11	AW2008VA-11P	20.00	24.30
12	AW2008VA-12P	22.00	26.30
13	AW2008VA-13P	24.00	28.30
14	AW2008VA-14P	26.00	30.30
15	AW2008VA-15P	28.00	32.30
16	AW2008VA-16P	30.00	34.30
17	AW2008VA-17P	32.00	36.30
18	AW2008VA-18P	34.00	38.30
19	AW2008VA-19P	36.00	40.30
20	AW2008VA-20P	38.00	42.30

Unit: mm

Unless Otherwise specified tolerance
 X. ±0.35 X.XX: ±0.20
 X.X: ±0.25 X.XXX: ±0.15



ANTENK ELECTRONICS CO., LTD
[Http://www.antenk.com](http://www.antenk.com)
 E-mail:sales@antenk.com

SCALE: As Shown	UNIT: mm
DRAW Jack Bao	DATE 10/22/2017
CHECK Bob Yang	DATE 10/22/2017

TITLE: 2.00mm pitch 180° Wafer Connector Series



DRAWING NO: AW2008VA-NP
 PRODUCT NO: AW2008VA-NP

REV	DESCRIPTION	DATE