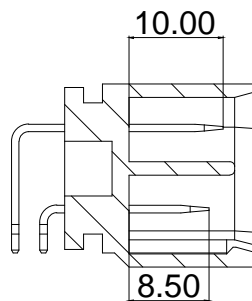
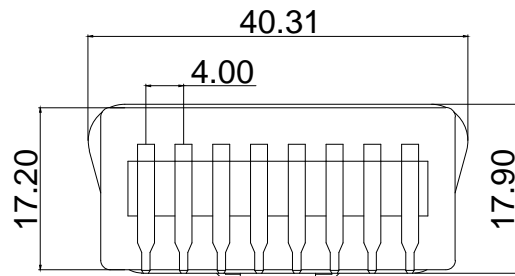
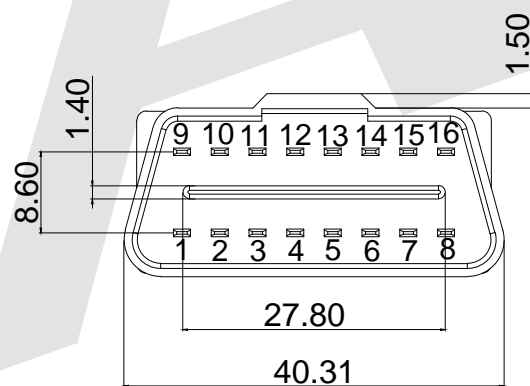
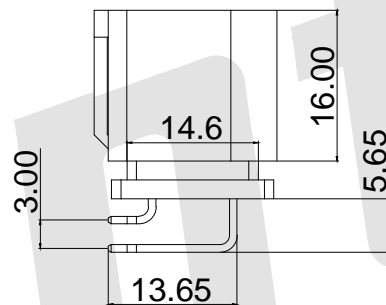
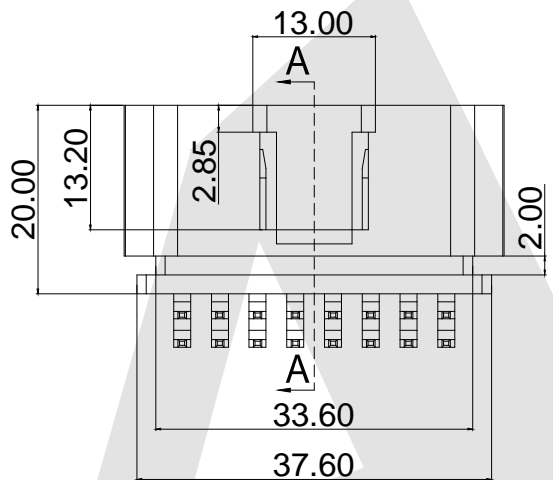


HSF



(LONG CONTACT P4&P5 10.0)

SEC A-A



Electrical Performance:

- 1. Dielectric Strength: 1000V AC/1 Minute.
- 2. Contact resistance: 100 m Ohm MAX.
- 3. Insulation Resistance: 500VDC, 100M Ohm Min.

Rateing and Application Wire:

- 1. Rated Volatage: 30V MAX
- 2. Rated Current: 5Amps, Wire Insulation O.D: $\phi 1.2 \sim \phi 2.6$
- 3. Ambient Temperature Range: $-40^{\circ}C \sim +85^{\circ}C$

Notes:

- 1. Housing Material: PA66 Plus Fiber 15%, Color: Black
- 2. The Pin 4&PIN 5 Are 10.0mm High Out of The Plastic,
- 3. Terminal Materi Brass Gilded
- 4. General Tolerance: $\pm 0.3mm$
- 5. Supporting Terminal Material Number: C-OBD-MT-001

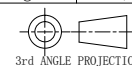
Ordering Code:

OBD- A - 16 - G0 - A - F - X - PG002 - B
① ② ③ ④ ⑤ ⑥ ⑦ ⑧ ⑨

- ① Automotive Connector
- ② Type: A: Angle A: Male Connector
- ③ Contact Number: 16P
- ④ Contact Plating: G0: Gold flash G1: 3u" Gold G2: 5u" Gold G3: 10u" Gold G4: 15u" Gold G5: 30u" Gold SN: Tin
- ⑤ Pin Type: A: Angle
- ⑥ Insulator Material: F: PA66
- ⑦ Packing: A: Tray B: Bag T: Tube U: Tube+CAP R: Tape&Reel W: Tape&Reel+CAP
- ⑧ Series No: PG002
- ⑨ B: With Lock PCB Dimension 14.6mm

Unless Otherwise specified tolerance
X. ± 0.5 X.XX: ± 0.25
X.X: ± 0.38 X.XXX: ± 0.15

SCALE: As Shown UNIT: mm
DRAW Wu Feng Rong DATE 25/03/2020
CHECK BobYang DATE 25/03/2020



Antenk® ANTENK ELECTRONICS CO., LTD
Http://www.antenk.com
E-mail:sales@antenk.com

TITLE:
OBD 16P Male Angle Reverse 24V Type 14.6MM

DRAWING NO: OBD-A-16-G0-A-F-X-PG002-B

PRODUCT NO: OBD-A-16-G0-A-F-X-PG002-B

ADD PA66

04/06/2020

REV

DESCRIPTION

DATE

1

2

3

4

5

6

7

8